



Safety relays Contact expansion module UE10-30S

UE10-30S2D0



Model Name > **UE10-3OS2DO**
Part No. > **6024917**



At a glance

- Ideal for applications with opto-electronic protective devices and safety controllers with OSSD outputs
- Evaluation unit for a safe processing of OSSD output signals
- 3 safety outputs, 1 application diagnostic output
- Fast tool-free mounting/disasassembly due to pluggable terminals
- Feedback signal for external device monitoring (EDM)

Your benefits

- Offers all needed contact paths in a compact form
- Fast diagnostics via the status information reduces downtime
- Connects the advantages of classic relays and easy circuitry



Applications

Type of switching amplifier:	Contact expansion module
Emergency stop pushbuttons:	-
Safety switches:	-
Safety Switch with mechanical lock:	-
Two-hand control systems:	-
Pressure sensitive mats:	-
Opto-electronic protective devices:	✓
Opto-electronic protective devices without RES/EDM:	-
Opto-electronic protective devices with RES/EDM:	✓
System part:	Safety relays

Functions

Input circuit:	Single- or dual-channel
Cross-circuit detection:	-
Reset/restart:	Automatic
External device monitoring:	-

Technical data

Safety integrity level:	SIL3 (IEC 61508), SILCL3 (IEC 62061) ¹⁾
Category:	Category 4 (EN ISO 13849) ²⁾
Performance level:	PL e (EN ISO 13849) ³⁾

B10d parameter:

1.26 * 1E 06 switching cycles (AC-15, 230 V, I = 1.5 A)
5.9*1E 06 switching cycles (AC-15, 230 V, I = 0.75 A)
4.35*1E 05 switching cycles (DC-13, 24 V, I = 2.5 A)
1*1E 07 switching cycles (DC-13, 24 V, I = 0.63 A)

PFHd:

3.0 * 1E-08

TM (mission time):

20 a

Stop category:

0, EN 60204

Width:

22.5 mm

Contact type:

Positively driven

Number of enable current contacts:

3

Number of signalling current contacts:

1

Type of output:

Relay contacts

Rated operating current (voltage):

4 A (230 V AC) 360 switching cycles/h
3 A (230 V AC) 3600 switching cycles/h
4 A (24 V DC) 360 switching cycles/h
2.5 A (24 V DC) 3600 switching cycles/h

Maximum switching current:

6 A

Maximum total current:

12 A

Mechanical life (relay contacts):

1*1E 07 switching cycles

Electrical life (relay contacts):

2* 1E 06 switching cycles, dependent upon loading, details see operating instructions

Enclosure rating:

IP 20

Ambient operating temperature from ... to:

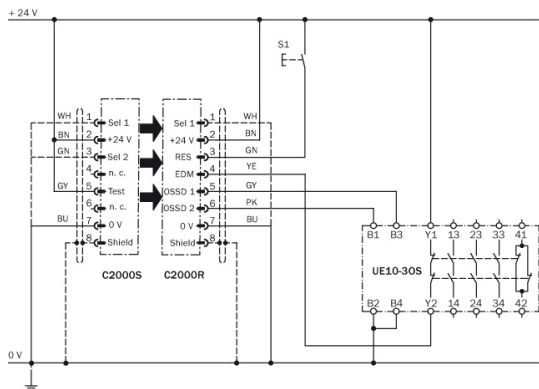
-25 °C ... 55 °C

Connection type:

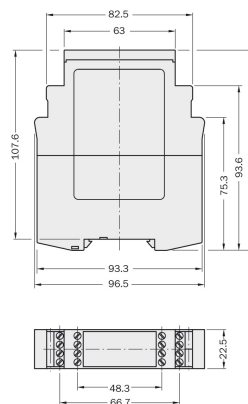
Screw-type terminals

1) 2) 3) If the feedback current path Y1 - Y2 (external device monitoring) is monitored using an appropriate main unit

Connection diagram



Dimensional drawing



Australia

Phone +61 3 9457 0600
1800 334 802 – tollfree
E-Mail sales@sick.com.au

Belgium/Luxembourg

Phone +32 (0)2 466 55 66
E-Mail info@sick.be

Brasil

Phone +55 11 3215-4900
E-Mail sac@sick.com.br

Canada

Phone +1 905 771 14 44
E-Mail information@sick.com

Ceská Republika

Phone +420 2 57 91 18 50
E-Mail sick@sick.cz

China

Phone +86 4000 121 000
E-Mail info.china@sick.net.cn
Phone +852-2153 6300
E-Mail ghk@sick.com.hk

Danmark

Phone +45 45 82 64 00
E-Mail sick@sick.dk

Deutschland

Phone +49 211 5301-301
E-Mail kundenservice@sick.de

España

Phone +34 93 480 31 00
E-Mail info@sick.es

France

Phone +33 1 64 62 35 00
E-Mail info@sick.fr

Great Britain

Phone +44 (0)1727 831121
E-Mail info@sick.co.uk

India

Phone +91-22-4033 8333
E-Mail info@sick-india.com

Israel

Phone +972-4-6801000
E-Mail info@sick-sensors.com

Italia

Phone +39 02 27 43 41
E-Mail info@sick.it

Japan

Phone +81 (0)3 3358 1341
E-Mail support@sick.jp

Magyarország

Phone +36 1 371 2680
E-Mail office@sick.hu

Nederlands

Phone +31 (0)30 229 25 44
E-Mail info@sick.nl

Norge

Phone +47 67 81 50 00
E-Mail austefjord@sick.no

Österreich

Phone +43 (0)22 36 62 28 8-0
E-Mail office@sick.at

Polska

Phone +48 22 837 40 50
E-Mail info@sick.pl

România

Phone +40 356 171 120
E-Mail office@sick.ro

Russia

Phone +7-495-775-05-30
E-Mail info@sick.ru

Schweiz

Phone +41 41 619 29 39
E-Mail contact@sick.ch

Singapore

Phone +65 6744 3732
E-Mail admin@sicksgp.com.sg

Slovenija

Phone +386 (0)1-47 69 990
E-Mail office@sick.si

South Africa

Phone +27 11 472 3733
E-Mail info@sickautomation.co.za

South Korea

Phone +82 2 786 6321/4
E-Mail info@sickkorea.net

Suomi

Phone +358-9-25 15 800
E-Mail sick@sick.fi

Sverige

Phone +46 10 110 10 00
E-Mail info@sick.se

Taiwan

Phone +886-2-2375-6288
E-Mail sales@sick.com.tw

Türkiye

Phone +90 (216) 528 50 00
E-Mail info@sick.com.tr

United Arab Emirates

Phone +971 (0) 4 8865 878
E-Mail info@sick.ae

USA/México

Phone +1(952) 941-6780
1 800-325-7425 – tollfree
E-Mail info@sickusa.com

More representatives and agencies
at www.sick.com