



Wire draw encoders HighLine

PRF08-E1AM0240



Model Name > PRF08-E1AM0240
Part No. > 1034335



Illustration may differ

At a glance

- Incremental wire draw encoders
- Modular measuring system with a wide selection of interfaces/measuring lengths
- Measuring lengths: 2 m ... 50 m
- Very rugged system (dirt wiper, integrated brushes), highly shock and vibration resistant
- High-quality winding mechanism and wire input
- Interfaces: - TTL/HTL
- High enclosure rating
- Highly resistant to shock and vibrations

Your benefits

- Reliable solution in harsh environments
- Long service life due to rugged industrial housing
- Quick and easy installation without the need for precise linear guidance
- Low integration and maintenance costs
- Customization option reduces inventory costs



Performance

Measuring range:	0 m ... 2 m
Repeatability:	$\pm 0.1\%$ ¹⁾
Linearity:	$\pm 0.1\%$ ²⁾
Hysteresis:	$\pm 0.05\%$ ³⁾
Resolution:	0.1 mm

^{1) 2) 3)} Value refers to wire draw mechanism

Mechanical data

Mass (including encoder):	1.6 kg
Measuring wire diameter:	1.35 mm
Housing material, wire draw mechanism:	Aluminum (anodised), die-cast zinc
Drum extent:	200 mm
Spring return force:	6 N ... 14 N ¹⁾
Life of wire draw mechanism:	1 million cycles
Actual length of cable extension:	2.2 m
Wire acceleration:	40 m/s ²
Operating speed:	4 m/s

Mounted encoder: DFS60
Mounted mechanic: MRA-F080-102D2
Part number mechanic: 6028625
Part number encoder: 1056866

¹⁾ These values were measured at an ambient temperature of 25 °C. There may be variations at other temperatures.

Electrical data

Maximum output frequency: 820 kHz
Reference signal, position: Electronically, gated with A and B
Reference signal, number: 1, electronically, gated with A and B
Maximum load current: 30 mA
Initialization time:: ≤ 32 ms, with mechanical zero pulse width ≤ 30 ms ^{1) 2)}
MTTFd: mean time to dangerous failure:: 300 a ^{3) 4)}

^{1) 2)} Valid positional data can be read once this time has elapsed. ³⁾ This product is a standard product and does not constitute a safety component as defined in the Machinery Directive.

Calculation based on nominal load of components, average ambient

temperature 40°C, frequency of use 8760 h/a. All

electronic failures are considered hazardous. For more information, see document no. 8015532. ⁴⁾ The value applies to the mounted encoder

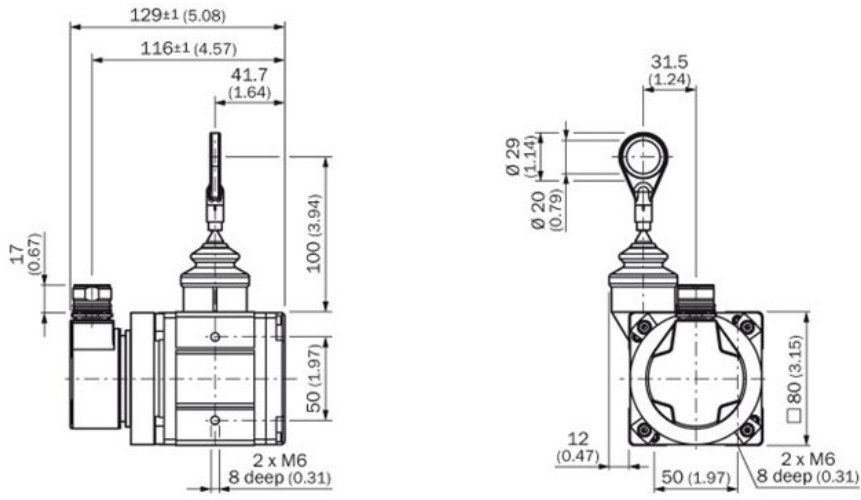
Interfaces

Electrical interface: 10 V ... 32 V, HTL/Push pull
Connection type: Connector M23, 12-pin, radial

Ambient data

EMC: (according to EN 61000-6-2 and EN 61000-6-3)
Enclosure rating encoder: IP 67
Enclosure rating mechanic: IP 50
Resistance to shocks: 60 g, 6 ms (according to EN 60068-2-27)
Resistance to vibration: 20 g, 10 Hz ... 2,000 Hz (according to EN 60068-2-6)
Working temperature range: -30 °C ... 70 °C
Relative humidity/Condensation: 90 % (condensation of the optical scanning not permitted)

Dimensional drawing



Australia

Phone +61 3 9457 0600
1800 334 802 – tollfree
E-Mail sales@sick.com.au

Belgium/Luxembourg

Phone +32 (0)2 466 55 66
E-Mail info@sick.be

Brasil

Phone +55 11 3215-4900
E-Mail sac@sick.com.br

Canada

Phone +1 905 771 14 44
E-Mail information@sick.com

Ceská Republika

Phone +420 2 57 91 18 50
E-Mail sick@sick.cz

China

Phone +86 4000 121 000
E-Mail info.china@sick.net.cn
Phone +852-2153 6300
E-Mail ghk@sick.com.hk

Danmark

Phone +45 45 82 64 00
E-Mail sick@sick.dk

Deutschland

Phone +49 211 5301-301
E-Mail kundenservice@sick.de

España

Phone +34 93 480 31 00
E-Mail info@sick.es

France

Phone +33 1 64 62 35 00
E-Mail info@sick.fr

Great Britain

Phone +44 (0)1727 831121
E-Mail info@sick.co.uk

India

Phone +91-22-4033 8333
E-Mail info@sick-india.com

Israel

Phone +972-4-6801000
E-Mail info@sick-sensors.com

Italia

Phone +39 02 27 43 41
E-Mail info@sick.it

Japan

Phone +81 (0)3 3358 1341
E-Mail support@sick.jp

Magyarország

Phone +36 1 371 2680
E-Mail office@sick.hu

Nederlands

Phone +31 (0)30 229 25 44
E-Mail info@sick.nl

Norge

Phone +47 67 81 50 00
E-Mail austefjord@sick.no

Österreich

Phone +43 (0)22 36 62 28 8-0
E-Mail office@sick.at

Polska

Phone +48 22 837 40 50
E-Mail info@sick.pl

România

Phone +40 356 171 120
E-Mail office@sick.ro

Russia

Phone +7-495-775-05-30
E-Mail info@sick.ru

Schweiz

Phone +41 41 619 29 39
E-Mail contact@sick.ch

Singapore

Phone +65 6744 3732
E-Mail admin@sicksgp.com.sg

Slovenija

Phone +386 (0)1-47 69 990
E-Mail office@sick.si

South Africa

Phone +27 11 472 3733
E-Mail info@sickautomation.co.za

South Korea

Phone +82 2 786 6321/4
E-Mail info@sickkorea.net

Suomi

Phone +358-9-25 15 800
E-Mail sick@sick.fi

Sverige

Phone +46 10 110 10 00
E-Mail info@sick.se

Taiwan

Phone +886-2-2375-6288
E-Mail sales@sick.com.tw

Türkiye

Phone +90 (216) 528 50 00
E-Mail info@sick.com.tr

United Arab Emirates

Phone +971 (0) 4 8865 878
E-Mail info@sick.ae

USA/México

Phone +1(952) 941-6780
1 800-325-7425 – tollfree
E-Mail info@sickusa.com

More representatives and agencies
at www.sick.com