



CONTACTOR ASSEMBLY,
 STAR-DELTA (ASSEMBLED) WITH TIME RELAIS AT THE
 SIDE,
 AC-3 55KW/400 V, 3-POLE,
 SIZES S3,S3,S2, EL. LOCKED,
 SCREW CONNECTION, AC 230V, 50/60 HZ

General details:

product brand name		SIRIUS
product designation		contactor assembly
Product function		wye-delta-contactor
Size of the contactor		S3, S3, S2
Protection class IP / on the front		IP20
Degree of pollution		3
Insulation voltage / with degree of pollution 3 / rated value	V	690
Installation altitude / at a height over sea level / maximum	m	2,000
Ambient temperature		
• during operating	°C	-25 ... +60
• during storage	°C	-55 ... +80
• during transport	°C	-55 ... +80
Item designation		
• according to DIN 40719 extendable after IEC 204-2 / according to IEC 750		K
• according to DIN EN 61346-2		Q
Mechanical operating cycles as operating time		
• of the main contacts / typical		10,000,000
• of the auxiliary contacts / typical		10,000,000

• of the contactor with added auxiliary switch block / typical

10,000,000

Main circuit:

Number of poles / for main current circuit

3

Number of NC contacts / for main contacts

0

Operating voltage / at AC-3 / rated value / maximum

V

690

Operational current / at AC-3 / at 400 V / rated value

A

115

Service power / at AC-3

• at 400 V / rated value

kW

55

• at 500 V / rated value

kW

81

• at 690 V / rated value

kW

93

Steuerstromkreis/Ansteuerung:

Design of activation

conventional

Design of the surge suppressor

without

Type of voltage / of the controlled supply voltage

AC

Control supply voltage frequency

• 1 / rated value

Hz

50

• 2 / rated value

Hz

60

Control supply voltage / 1

• at 50 Hz / for AC / rated value

V

230

• at 60 Hz / for AC / rated value

V

230

operating range factor control supply voltage rated value / of the magnet coil

• at 50 Hz

• for AC

0.8 ... 1.1

• at 60 Hz

• for AC

0.85 ... 1.1

• for DC

0.8 ... 1.1

Auxiliary circuit:

Product extension / auxiliary switch

Yes

Number of NC contacts / for auxiliary contacts

• instantaneous switching

4

• lagging switching

0

Number of NO contacts / for auxiliary contacts

• instantaneous switching

4

• leading switching

0

Short-circuit:

Design of the fuse link

• for short-circuit protection of the auxiliary switch / required

fuse gL/gG: 10 A

- for short-circuit protection of the main circuit
- with type of assignment 1 / required
- at type of coordination 2 / required

fuse gL/gG: 250 A
fuse gL/gG: 125 A

Einbau/Befestigung/Abmessung:

mounting position		with vertical mounting surface +/-180° rotatable, with vertical mounting surface +/- 30° tiltable to the front and back
Type of mounting		screw fixing
Width	mm	218
Height	mm	180
Depth	mm	194
Distance, to be maintained, to the ranks assembly / sideways	mm	0
Distance, to be maintained, to earthed part / sideways	mm	0
Distance, to be maintained, conductive elements		
• sideways	mm	0

Anschlüsse/Klemmen

Design of the electrical connection / for main current circuit screw-type terminals

Approbationen/ Zertifikate

Verification of suitability CE / UL / CCC / GL / LRS / BV / DNV / RMRS / RINA / PRS / ABS

General Product Approval Declaration of Conformity



Shipping Approval



other

[other](#)

[Environmental Confirmations](#)

Sicherheitstechnische Merkmale

Contact reliability / of the auxiliary contacts 1 faulty switching per 100 million (17 V, 1 mA)

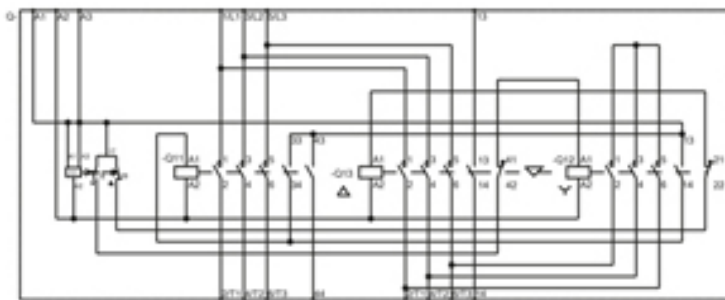
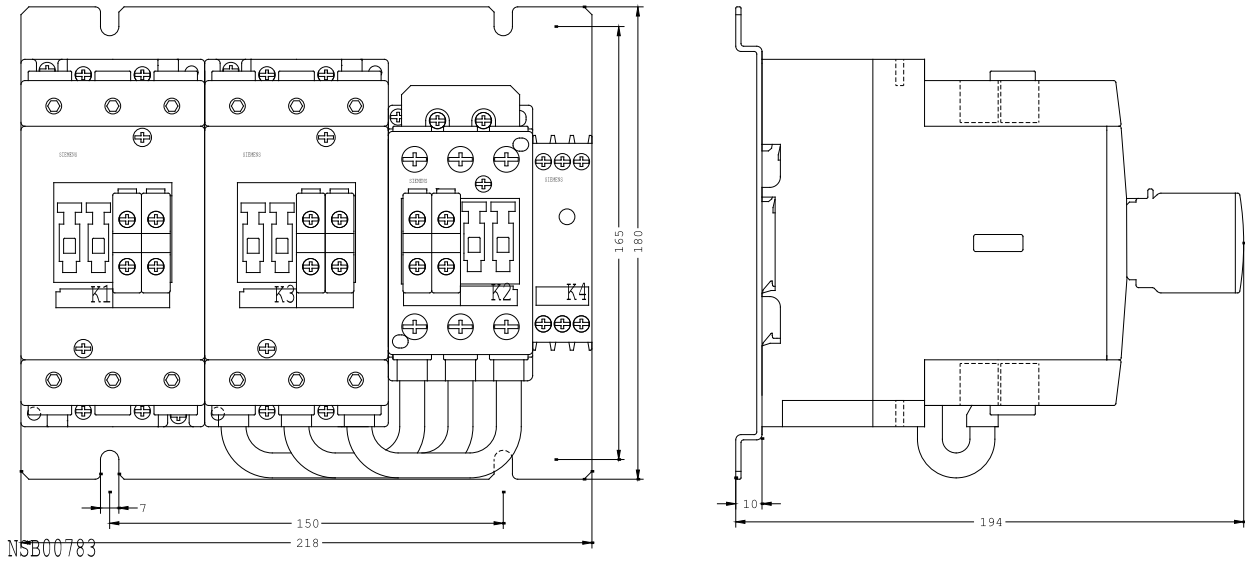
Further information:

Information- and Downloadcenter (Catalogs, Brochures,...)

<http://www.siemens.com/industrial-controls/catalogs>

Industry Mall (Online ordering system)

<http://www.siemens.com/industrial-controls/mall>



last change:

Jan 28, 2013