



Level sensors  
Vibrating level switch, Lfv230

LFV230-XXSGBTPM2400



**Model Name** > LFB230-XXSGBTPM2400  
**Part No.** > 6041892



*Product may differ  
from illustration*

**At a glance**

- Housing made of 316L stainless steel
- Two electrical output versions available
- Commissioning without filling
- Process temperature up to 150 °C
- Immune to deposit formation
- Very high repeatability
- Aseptic versions with polished surface, CIP and SIP resistant
- Tube extension up to 6 m

**Your benefits**

- Easy installation and commissioning, no calibration necessary
- Easy operation and integration, saves time
- Maintenance-free sensor, reduces downtime
- Testing in place possible - no mounting required, which reduces installation time
- Flexible and robust system for a multitude of applications
- Universal technology works in all kinds of liquids
- Economical solution for vertical mounting, reduces costs
- Vertical mounting protects against leaks



**Features**

|                        |                   |
|------------------------|-------------------|
| Medium:                | Fluids            |
| Measurement:           | Switch            |
| Probe length:          | 2,400 mm          |
| Process pressure:      | -1 bar ... 64 bar |
| Process temperature:   | -40 °C ... 100 °C |
| Silicon free:          | -                 |
| Fill material density: | 0.7               |

**Performance**

|                             |                          |
|-----------------------------|--------------------------|
| Resolution:                 | ≤ 1 mm                   |
| Accuracy of sensor element: | ± 2 mm                   |
| Repeatability:              | 1                        |
| Viscosity:                  | 0.1 mPas ... 10,000 mPas |
| Response time:              | 500 ms                   |

## Mechanical data

|                     |                             |
|---------------------|-----------------------------|
| Aseptic:            | -                           |
| Housing material:   | Stainless steel 1.4404, PEI |
| Process connection: | G 3/4 A PN 64               |
| Wetted parts:       | 316L (optional Ra < 0.8 µm) |

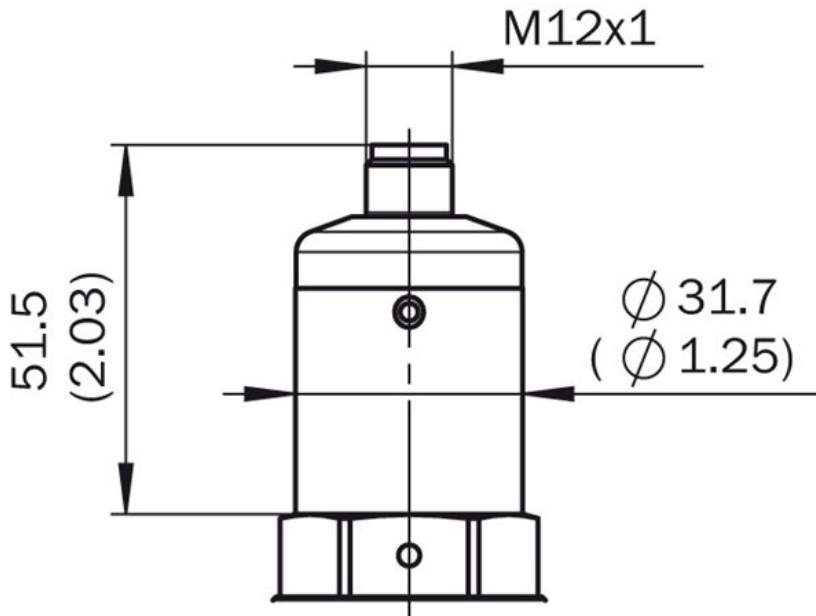
## Electrical data

|                      |                             |
|----------------------|-----------------------------|
| Temperature drift:   | 0,03 mm/K                   |
| Enclosure rating:    | IP 67                       |
| Supply voltage:      | 10 V DC ... 55 V DC         |
| Ripple:              | ≤ 5 Vpp                     |
| Power consumption:   | < 10 mA                     |
| Protection class:    | 1                           |
| Initialization time: | 2 s                         |
| Hysteresis:          | 2 mm                        |
| Output current:      | < 250 mA                    |
| Signal voltage HIGH: | Vs - < 3 V                  |
| Signal voltage LOW:  | 0 V +- 1 V                  |
| Capacitive load:     | 100 H                       |
| Inductive load:      | ≤ 1 H                       |
| Connection type:     | M12x1 plug connector, 4-pin |

## Ambient data

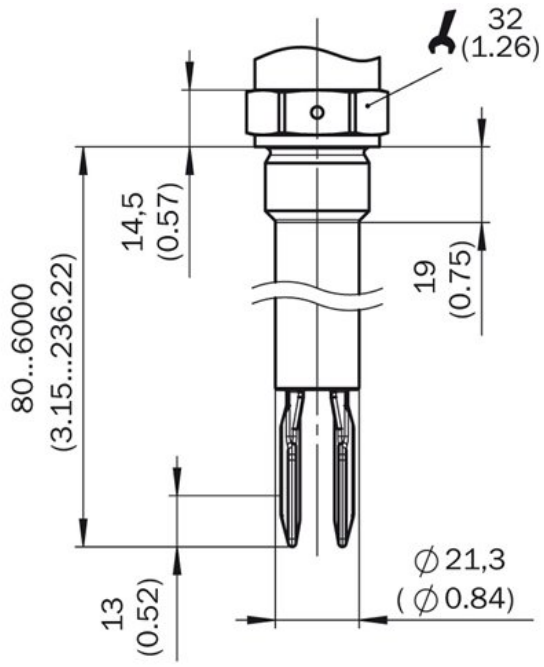
|                                |                  |
|--------------------------------|------------------|
| Ambient operating temperature: | -40 °C ... 70 °C |
| Ambient storage temperature:   | -40 °C ... 80 °C |

## Dimensional drawing housing



All dimensions in mm (inch)

Dimensional drawing process connection



All dimensions in mm (inch)

**Australia**

Phone +61 3 9457 0600  
1800 334 802 – tollfree  
E-Mail sales@sick.com.au

**Belgium/Luxembourg**

Phone +32 (0)2 466 55 66  
E-Mail info@sick.be

**Brasil**

Phone +55 11 3215-4900  
E-Mail sac@sick.com.br

**Canada**

Phone +1 905 771 14 44  
E-Mail information@sick.com

**Ceská Republika**

Phone +420 2 57 91 18 50  
E-Mail sick@sick.cz

**China**

Phone +86 4000 121 000  
E-Mail info.china@sick.net.cn  
Phone +852-2153 6300  
E-Mail ghk@sick.com.hk

**Danmark**

Phone +45 45 82 64 00  
E-Mail sick@sick.dk

**Deutschland**

Phone +49 211 5301-301  
E-Mail kundenservice@sick.de

**España**

Phone +34 93 480 31 00  
E-Mail info@sick.es

**France**

Phone +33 1 64 62 35 00  
E-Mail info@sick.fr

**Great Britain**

Phone +44 (0)1727 831121  
E-Mail info@sick.co.uk

**India**

Phone +91-22-4033 8333  
E-Mail info@sick-india.com

**Israel**

Phone +972-4-6801000  
E-Mail info@sick-sensors.com

**Italia**

Phone +39 02 27 43 41  
E-Mail info@sick.it

**Japan**

Phone +81 (0)3 3358 1341  
E-Mail support@sick.jp

**Magyarország**

Phone +36 1 371 2680  
E-Mail office@sick.hu

**Nederlands**

Phone +31 (0)30 229 25 44  
E-Mail info@sick.nl

**Norge**

Phone +47 67 81 50 00  
E-Mail austefjord@sick.no

**Österreich**

Phone +43 (0)22 36 62 28 8-0  
E-Mail office@sick.at

**Polska**

Phone +48 22 837 40 50  
E-Mail info@sick.pl

**România**

Phone +40 356 171 120  
E-Mail office@sick.ro

**Russia**

Phone +7-495-775-05-30  
E-Mail info@sick.ru

**Schweiz**

Phone +41 41 619 29 39  
E-Mail contact@sick.ch

**Singapore**

Phone +65 6744 3732  
E-Mail admin@sicksgp.com.sg

**Slovenija**

Phone +386 (0)1-47 69 990  
E-Mail office@sick.si

**South Africa**

Phone +27 11 472 3733  
E-Mail info@sickautomation.co.za

**South Korea**

Phone +82 2 786 6321/4  
E-Mail info@sickkorea.net

**Suomi**

Phone +358-9-25 15 800  
E-Mail sick@sick.fi

**Sverige**

Phone +46 10 110 10 00  
E-Mail info@sick.se

**Taiwan**

Phone +886-2-2375-6288  
E-Mail sales@sick.com.tw

**Türkiye**

Phone +90 (216) 528 50 00  
E-Mail info@sick.com.tr

**United Arab Emirates**

Phone +971 (0) 4 8865 878  
E-Mail info@sick.ae

**USA/México**

Phone +1(952) 941-6780  
1 800-325-7425 – tollfree  
E-Mail info@sickusa.com

More representatives and agencies  
at [www.sick.com](http://www.sick.com)