



Bar code scanners  
CLV69x / CLV690-0/1 / Standard Density

CLV690-0000



**Model Name** > [CLV690-0000](#)  
**Part No.** > [1056600](#)

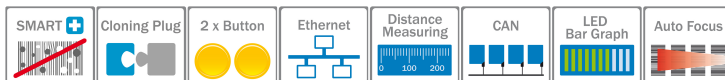


**At a glance**

- Advanced SMART+ code reconstruction technology
- New and flexible cloning plug technology
- CAN, Ethernet and serial communications available on board (dependent on cloning plug variant)
- Large depth of field due to real-time auto focus
- Consistent, user-friendly "SOPAS ET" software
- Built-in tracking without the use of an additional system controller
- Flexible sorting, filtering, and logical functions
- Integrated LED bar graph with pushbuttons

**Your benefits**

- Higher reading rate on damaged, heavily contaminated and partially damaged bar codes using the SMART+ algorithm
- Increased processing allows for faster and more accurate performance on demanding applications
- Fewer costs since no additional Ethernet gateway is required when using the Ethernet clone plug
- Time savings during commissioning thanks to integrated buttons and bar graph
- Increased scanner intelligence enables sophisticated configuration of logical operations, reducing the control system programming effort. Data is delivered in the desired format
- Cost savings since standard applications can be implemented without an additional system controller due to integrated tracking



**Features**

Version:	Standard Density
Connection type:	Depending on the cloning plug used
Reading field:	Front
Scanner design:	Line scanner
Focus:	Auto focus (alternative: dynamic focus control)
No. of distance configurations:	8
Focus adjustment time:	≤ 20 ms
Focus trigger source:	Data interface, Switching inputs
Light source:	Visible red light (660 nm)
MTBF:	100,000 h
Laser class:	2 (IEC 60825-1 (2007-3))

Field of view:	≤ 60 °
Code resolution:	0.25 mm ... 1 mm
Reading distance (at code resolution):	500 mm ... 2,100 mm (0.5 mm)
Scanning frequency:	400 Hz ... 1,200 Hz

## Performance

---

Bar code types:	Interleaved 2 of 5, All current code types, Codabar, Code 128, Code 39, Code 93, GS1-128/EAN 128, Pharmacode, UPC/GTIN/EAN
Print ratio:	2:1 ... 3:1
No. of codes per scan:	1 ... 20 (Standard decoder), 1 ... 6 (SMART decoder)
No. of codes per reading interval:	1 ... 50 (auto-discriminating)
No. of characters per reading interval:	5,000
No. of multiple readings:	1 ... 100

## Interfaces

---

Serial (RS-232, RS-422/485):	✓
Remark (Serial (RS-232, RS-422/485)):	Only with cloning plug D sub
Function (Serial (RS-232, RS-422/485)):	Host, AUX (only RS-232)
Data transmission rate (Serial (RS-232, RS-422/485)):	300 Baud ... 500 kBaud, AUX: 57.6 kBaud (RS-232)
Ethernet:	✓
Remark (Ethernet):	Only with cloning plug I/O Ethernet
Function (Ethernet):	Host, AUX
Protocol (Ethernet):	TCP/IP
Data transmission rate (Ethernet):	10/100 Mbit
CAN bus:	✓
Function (CAN bus):	SICK CAN sensor network (Master/Slave, Multiplexer)
Protocol (CAN bus):	CSN (SICK CAN Sensor Network)
Data transmission rate (CAN bus):	20 kbit/s ... 1 Mbit/s
PROFIBUS DP:	-
EtherCAT:	-
DeviceNet:	-
Connector:	Cloning plug exchangeable
Control elements:	2 buttons
Switching inputs:	6 ("Sensor 1" ... "Sensor 6")
Switching outputs:	4 ("Result 1" ... "Result 4")
Reading pulse:	Auto pulse, CAN, Switching inputs, Serial interface
Optical indicators:	6 LEDs (Ready, Result, laser, Data, CAN, LNK TX, Bar graph for displaying the reading rate percentage (10 LEDs))
Parameter storage:	Integrated in cloning plug

## Mechanics/electronics

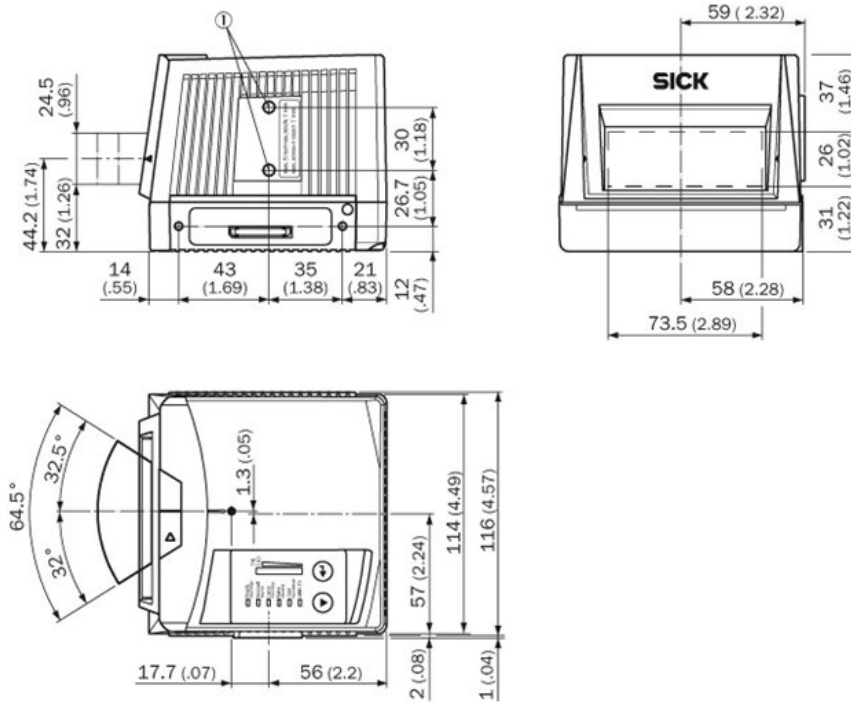
---

Electrical connection:	Depending on the cloning plug used
Operating voltage:	18 V DC ... 30 V DC
Power consumption:	15 W
Housing:	Die-cast aluminum, front lense made of glass
Housing color:	Light blue (RAL 5012)
Enclosure rating:	IP 65 (IEC 60529 (1989-11))
Protection class:	III (EN 60950-1 (2011-01))
Weight:	1,500 g
Dimensions:	117 mm x 117 mm x 94 mm

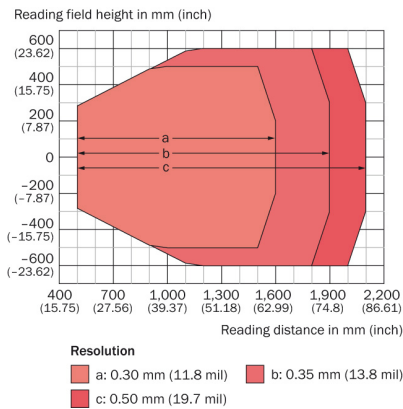
## Ambient data

Vibration resistance:	EN 60068-2-6 (2008-02)
Shock resistance:	EN 60068-2-27 (2009-05)
Ambient operating temperature:	0 °C ... 40 °C
Storage temperature:	-20 °C ... 70 °C
Permissible relative humidity:	90 %, non-condensing
Ambient light safety:	2,000 lx, on bar code
Electrical safety:	EN 60950-1 (2006-01)/EN 60950-1/A11 (2009-03)/EN 60950-1/A1 (2010)

## Dimensional drawing



## Reading field diagram



**Australia**

Phone +61 3 9457 0600  
1800 334 802 – tollfree  
E-Mail sales@sick.com.au

**Belgium/Luxembourg**

Phone +32 (0)2 466 55 66  
E-Mail info@sick.be

**Brasil**

Phone +55 11 3215-4900  
E-Mail sac@sick.com.br

**Canada**

Phone +1 905 771 14 44  
E-Mail information@sick.com

**Ceská Republika**

Phone +420 2 57 91 18 50  
E-Mail sick@sick.cz

**China**

Phone +86 4000 121 000  
E-Mail info.china@sick.net.cn  
Phone +852-2153 6300  
E-Mail ghk@sick.com.hk

**Danmark**

Phone +45 45 82 64 00  
E-Mail sick@sick.dk

**Deutschland**

Phone +49 211 5301-301  
E-Mail kundenservice@sick.de

**España**

Phone +34 93 480 31 00  
E-Mail info@sick.es

**France**

Phone +33 1 64 62 35 00  
E-Mail info@sick.fr

**Great Britain**

Phone +44 (0)1727 831121  
E-Mail info@sick.co.uk

**India**

Phone +91-22-4033 8333  
E-Mail info@sick-india.com

**Israel**

Phone +972-4-6801000  
E-Mail info@sick-sensors.com

**Italia**

Phone +39 02 27 43 41  
E-Mail info@sick.it

**Japan**

Phone +81 (0)3 3358 1341  
E-Mail support@sick.jp

**Magyarország**

Phone +36 1 371 2680  
E-Mail office@sick.hu

**Nederlands**

Phone +31 (0)30 229 25 44  
E-Mail info@sick.nl

**Norge**

Phone +47 67 81 50 00  
E-Mail austefjord@sick.no

**Österreich**

Phone +43 (0)22 36 62 28 8-0  
E-Mail office@sick.at

**Polska**

Phone +48 22 837 40 50  
E-Mail info@sick.pl

**România**

Phone +40 356 171 120  
E-Mail office@sick.ro

**Russia**

Phone +7-495-775-05-30  
E-Mail info@sick.ru

**Schweiz**

Phone +41 41 619 29 39  
E-Mail contact@sick.ch

**Singapore**

Phone +65 6744 3732  
E-Mail admin@sicksgp.com.sg

**Slovenija**

Phone +386 (0)1-47 69 990  
E-Mail office@sick.si

**South Africa**

Phone +27 11 472 3733  
E-Mail info@sickautomation.co.za

**South Korea**

Phone +82 2 786 6321/4  
E-Mail info@sickkorea.net

**Suomi**

Phone +358-9-25 15 800  
E-Mail sick@sick.fi

**Sverige**

Phone +46 10 110 10 00  
E-Mail info@sick.se

**Taiwan**

Phone +886-2-2375-6288  
E-Mail sales@sick.com.tw

**Türkiye**

Phone +90 (216) 528 50 00  
E-Mail info@sick.com.tr

**United Arab Emirates**

Phone +971 (0) 4 8865 878  
E-Mail info@sick.ae

**USA/México**

Phone +1(952) 941-6780  
1 800-325-7425 – tollfree  
E-Mail info@sickusa.com

More representatives and agencies  
at [www.sick.com](http://www.sick.com)