



High-end cameras
Ranger, Ranger E, Ranger E55, RS-422

Ranger-E55414



Model Name > [Ranger-E55414](#)
Part No. > [1040380](#)



At a glance

- 3D shape inspection at up to 35,000 profiles/s
- In-machine 3D calibration tool
- MultiScan technology to measure 3D, contrast, and scatter at the same time
- Sensor resolutions of up to 1,536 pixels in 3D and 3,072 pixels in gray scale
- Full flexibility in configuration, working distance, and field of view
- C and C++ APIs for integration
- Remote operation and easy integration with Gigabit Ethernet

Your benefits

- With speeds of up to 35,000 profiles/s and gray scale resolution up to 3,072 pixels, you can increase production throughput and still see the finest details, ensuring product quality
- Contrast-independent 3D provides more reliable size and position measurements, regardless of an object's color or height
- Contrast-independent 3D provides more reliable size and position measurements, regardless of an object's color or height
- Unique MultiScan technology lets one camera do the job of many, reducing costs for integration, maintenance, and accessories, creating cost-efficient solutions
- Ranger E's high level of flexibility makes it the best choice for the most challenging tasks
- Gigabit Ethernet for remote operation over long cable distances, allowing you to put your PCs in a safe and convenient place



Features

Task:	Inspection, Measuring, Positioning
Description:	Ranger E55 - 3D and MultiScan, up to 35 k profiles/second. Gigabit Ethernet interface, 1,536 x 512 pixels, high resolution line of 3,072 pixels.
Technology:	3D LineScan MultiScan
Example field of view (H x W):	Free of choice by lens selection
Data synchronization:	Encoder triggered External enable Free running
Grayscale measurements:	✓
Scatter measurement:	✓
Spectral range:	400 nm ... 950 nm
Factory calibrated:	-

Performance

Image sensor:	CMOS
Maximum performance:	35,000 3D profiles/s
Sensor resolution:	1,536 px x 512 px
3D profile resolution:	1,536 px
Gray line resolution:	1,536 px
Pixel size:	9.5 µm x 9.5 µm
Pixel matrix fill factor:	60 %
Maximum 3D height resolution:	13 bits 1/16 pixel
Optical center (row, column):	(227, 768)
IR filter:	No IR pass filter
Scatter resolution:	1,536 px
Hi-Res Gray resolution:	3,072 px
Hi-Res pixel size (H x V):	4.75 µm x 9.5 µm
Hi-Res pixel fill factor:	80 %
Sensor rows available for 3D:	0 ... 511
Bit depth:	8 bit

Interfaces

Configuration software:	Ranger Studio
Communication interfaces:	RS-422
Operating system:	Windows 7, Windows XP Pro
Development environment:	C++ (VS 2005/2008/2010) or C
Programming interface:	iCon API
Digital inputs:	4 x HIGH = 10 V ... 28.8 V
Digital outputs:	1 x TTL level, 2 x B-type, < 100 mA in total
Encoder interface:	RS-422
Maximum encoder frequency:	2 MHz
Control of external illumination:	5 V TTL

Mechanics/electronics

Connectors:	M12, 8-pin female connector (encoder) RJ45 (Ethernet) Power I/O: M12, 8-pin male
Connector material:	M12: nickel-plated brass
Supply voltage:	12 V DC ... 24 V DC
Power consumption:	7 W
Power consumption:	0.8 A
Ripple:	< 5 Vpp
Enclosure rating:	IP 20
Housing material:	Aluminum
Housing color:	Gray, varnished
Weight:	360 g
Dimensions (L x W x H):	125 mm x 52 mm x 52 mm
Optics:	C-Mount, 1"
Standards (ROHS):	✓

Ambient data

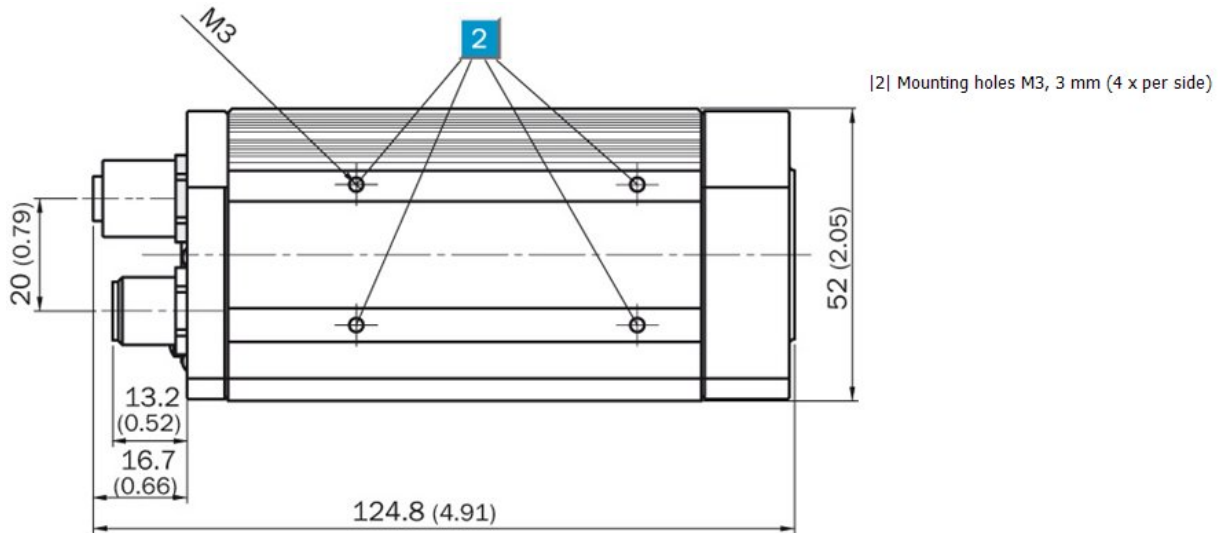
Shock load:	15 g, 3 x 6 directions
Vibration load:	5 g, 58 Hz ... 150 Hz
Ambient operating temperature:	0 °C ... 45 °C ¹⁾

Ambient storage temperature:

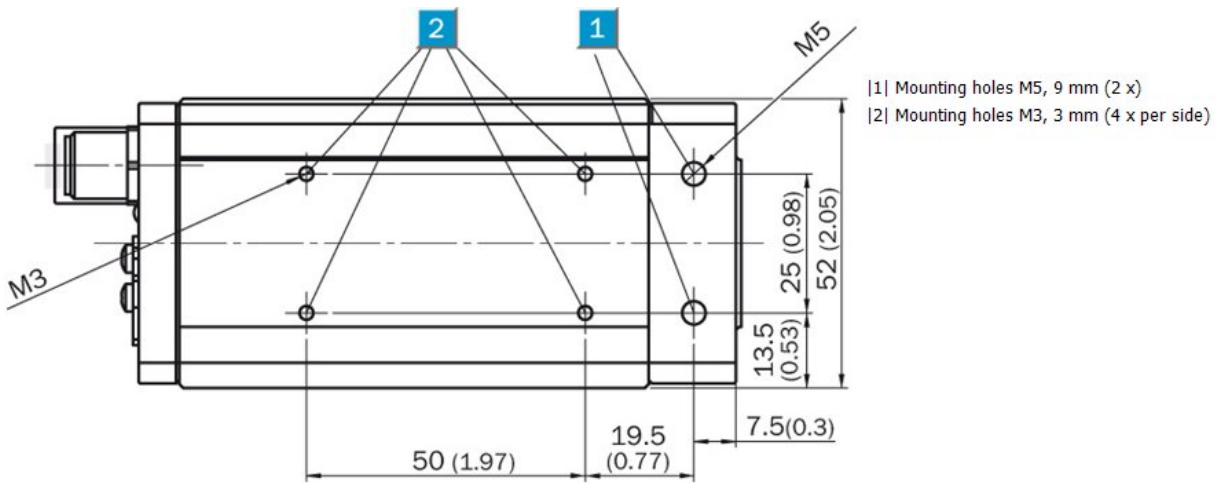
-20 °C ... 70 °C ²⁾

1) 2)
Non-condensing

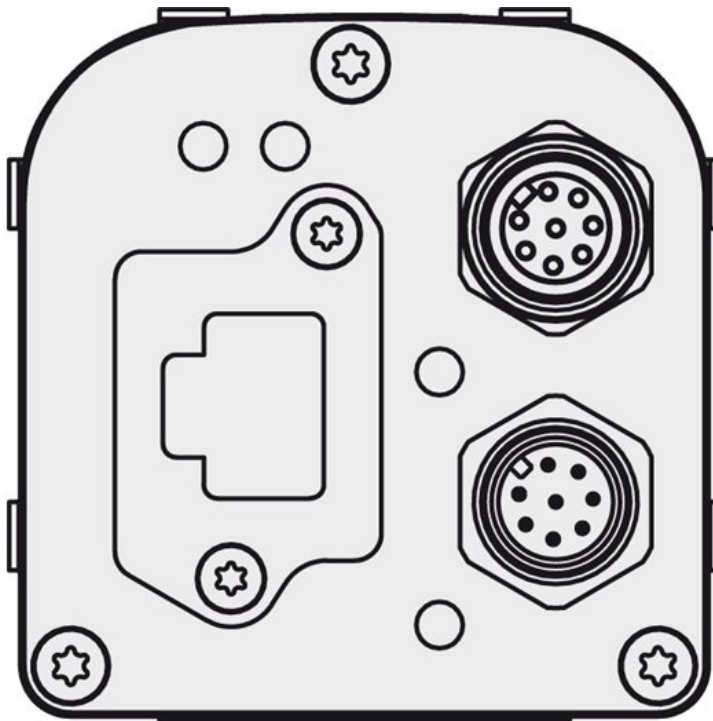
Dimensional drawing, side view



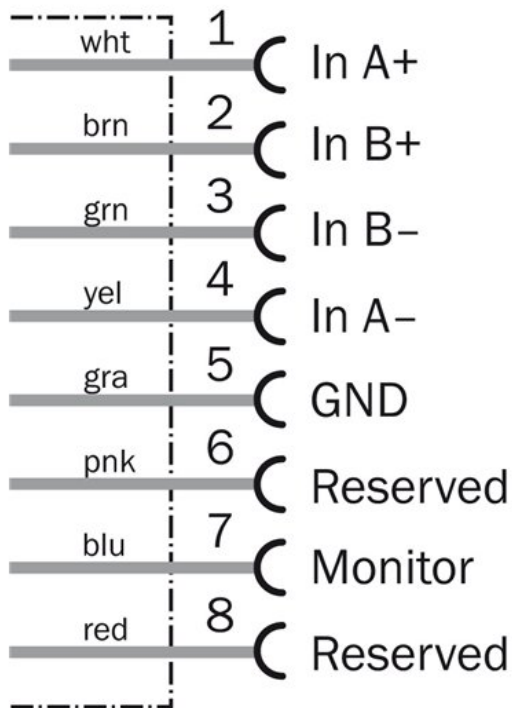
Dimensional drawing, bottom view



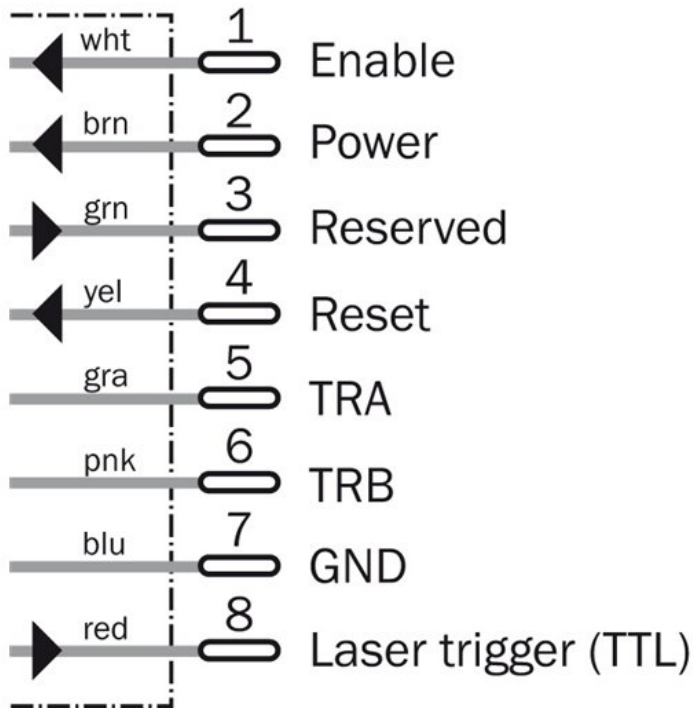
Connection type



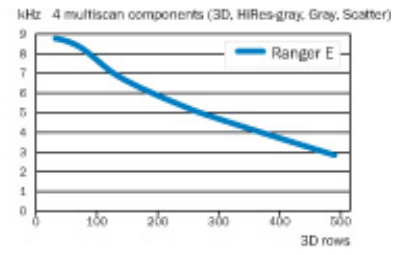
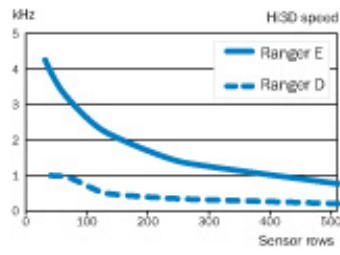
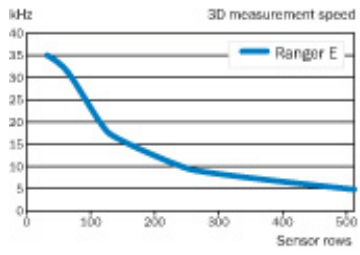
Connection diagram, Encoder connection



Connection diagram Power I/O



Characteristic curves



Australia

Phone +61 3 9457 0600
1800 334 802 – tollfree
E-Mail sales@sick.com.au

Belgium/Luxembourg

Phone +32 (0)2 466 55 66
E-Mail info@sick.be

Brasil

Phone +55 11 3215-4900
E-Mail sac@sick.com.br

Canada

Phone +1 905 771 14 44
E-Mail information@sick.com

Ceská Republika

Phone +420 2 57 91 18 50
E-Mail sick@sick.cz

China

Phone +86 4000 121 000
E-Mail info.china@sick.net.cn
Phone +852-2153 6300
E-Mail ghk@sick.com.hk

Danmark

Phone +45 45 82 64 00
E-Mail sick@sick.dk

Deutschland

Phone +49 211 5301-301
E-Mail kundenservice@sick.de

España

Phone +34 93 480 31 00
E-Mail info@sick.es

France

Phone +33 1 64 62 35 00
E-Mail info@sick.fr

Great Britain

Phone +44 (0)1727 831121
E-Mail info@sick.co.uk

India

Phone +91-22-4033 8333
E-Mail info@sick-india.com

Israel

Phone +972-4-6801000
E-Mail info@sick-sensors.com

Italia

Phone +39 02 27 43 41
E-Mail info@sick.it

Japan

Phone +81 (0)3 3358 1341
E-Mail support@sick.jp

Magyarország

Phone +36 1 371 2680
E-Mail office@sick.hu

Nederlands

Phone +31 (0)30 229 25 44
E-Mail info@sick.nl

Norge

Phone +47 67 81 50 00
E-Mail austefjord@sick.no

Österreich

Phone +43 (0)22 36 62 28 8-0
E-Mail office@sick.at

Polska

Phone +48 22 837 40 50
E-Mail info@sick.pl

România

Phone +40 356 171 120
E-Mail office@sick.ro

Russia

Phone +7-495-775-05-30
E-Mail info@sick.ru

Schweiz

Phone +41 41 619 29 39
E-Mail contact@sick.ch

Singapore

Phone +65 6744 3732
E-Mail admin@sicksgp.com.sg

Slovenija

Phone +386 (0)1-47 69 990
E-Mail office@sick.si

South Africa

Phone +27 11 472 3733
E-Mail info@sickautomation.co.za

South Korea

Phone +82 2 786 6321/4
E-Mail info@sickkorea.net

Suomi

Phone +358-9-25 15 800
E-Mail sick@sick.fi

Sverige

Phone +46 10 110 10 00
E-Mail info@sick.se

Taiwan

Phone +886-2-2375-6288
E-Mail sales@sick.com.tw

Türkiye

Phone +90 (216) 528 50 00
E-Mail info@sick.com.tr

United Arab Emirates

Phone +971 (0) 4 8865 878
E-Mail info@sick.ae

USA/México

Phone +1(952) 941-6780
1 800-325-7425 – tollfree
E-Mail info@sickusa.com

More representatives and agencies
at www.sick.com