



Smart cameras
IVC-2D, RS-485 Fast Ethernet (10/100 Mbit/s):
TCP/IP, UDP/IP, EtherNet/IP OPC server included
, IVC-2D Reader

IVC-2DM1112



Smart cameras

**IVC-2D, RS-485 Fast Ethernet (10/100 Mbit/s): TCP/IP, UDP/IP,
EtherNet/IP OPC server included , IVC-2D Reader**

Model Name > [IVC-2DM1112](#)
Part No. > [1029135](#)



At a glance

- Suitable for advanced inspections and measurements
- Flexible working distance and field of view
- Stand-alone operation, no PC needed
- IP 65 rating
- Easy-to-use interface with more than 110 software tools
- Simple interfacing with PLCs, robots and control systems that support EtherNet/IP or OPC
- Available in three different resolutions from fast VGA (0.3 MP) to high-resolution UXGA (1.9 MP)

Your benefits

- The IVC-2D's flexibility ensures optimal setup for individual application needs
- The 1.9 MP resolution enables inspection of fine details with high repeatability
- IP 65 rating makes the system suitable for industrial environments
- Easy-to-use interface ensures fast application development, saving time and reducing costs
- The camera's OPC server and EtherNet/IP interface enable easy integration with PLCs, robots and control systems
- Stand-alone operation reduces installation complexity compared to PC-based vision
- A wide range of camera-controlled lighting makes it easy to create a complete solution



Features

Task:	Positioning Inspection Reading Measuring
Technology:	2D, Image analysis, Snapshot
Example field of view (H x W):	See Field of view diagram
Offline support:	Emulator
Spectral range:	Ca. 400 nm ... 750 nm

Performance

Image sensor:	1/3" CCD, electronic shutter
Processor:	800 MHz
Memory:	128 MB RAM, 16 MB flash

Maximum performance: 30 Hz
Resolution: 640 px x 480 px

Interfaces

Operator interfaces: Application specific operator interfaces can be created using ActiveX (COM) or as web page. Included OPC server enables data exchange with e.g. SCADA systems.

Configuration software: IVC Studio

Data store and retrieve: Images and data can be stored to and retrieved from flash and external FTP servers

Communication interfaces: RS-485
Fast Ethernet (10/100 Mbit/s): TCP/IP, UDP/IP, EtherNet/IP
OPC server included

Digital inputs: 4 program controlled inputs (1 trigger input), HIGH = 10 V ... 28.8 V

Digital outputs: 3 B-type program controlled outputs
Total output load < 100 mA
Trigger output

Mechanics/electronics

Connectors: M12, 4-pin female connector, D-coded (Ethernet)
M12, 8-pin female connector (RS-485)
M12, 8-pin male connector (power I/O)

Connector material: Nickel plated brass

Supply voltage: 24 V DC ± 20 %

Power consumption: < 400 mA Without output load

Ripple: < 5 Vpp

Enclosure rating: IP 54 IP 65 with lens protection hood

Protection class: II, III

Housing material: Anodized aluminum

Weight: 505 g

Dimensions (L x W x H): 161 mm x 60 mm x 55 mm

Optics: C or CS-mount

Ambient data

Shock load: 15 g, 3 x 6 directions

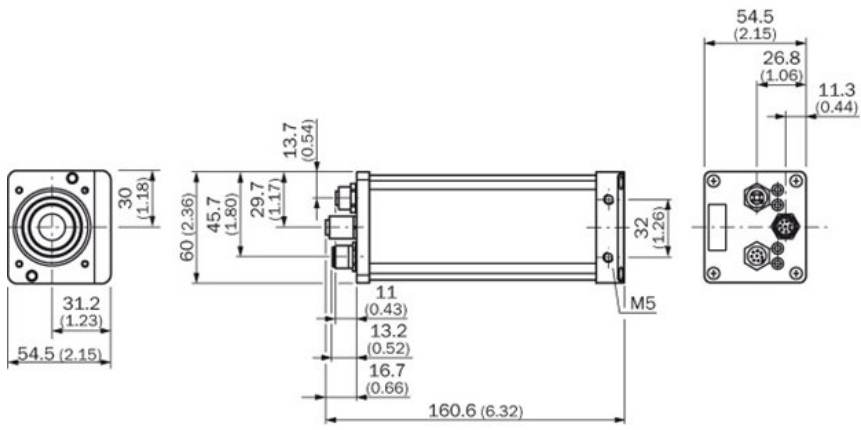
Vibration load: 5 g, 58 Hz ... 150 Hz

Ambient operating temperature: 0 °C ... 50 °C ¹⁾

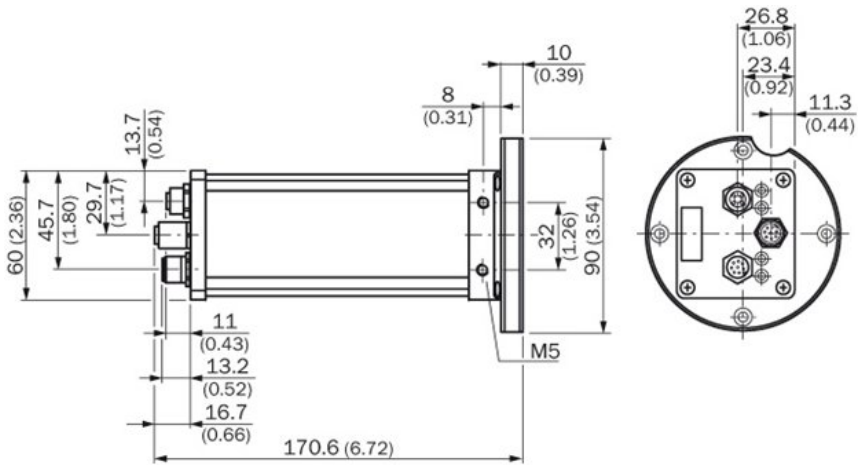
Ambient storage temperature: -20 °C ... 70 °C ²⁾

^{1) 2)} Relative humidity: 35 % ... 85 %, 95 % at storage

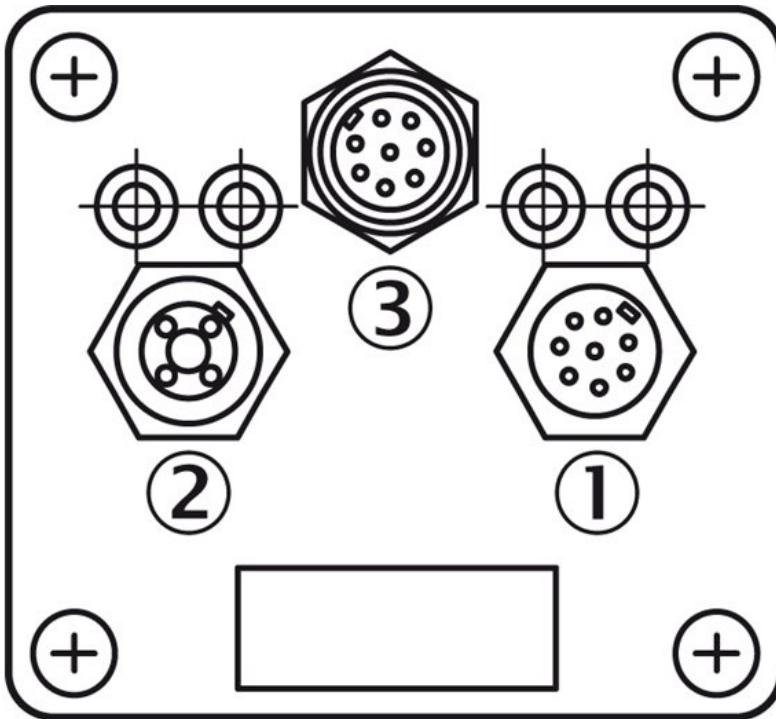
Dimensional drawing



Dimensional drawing with adapter plate for ring light

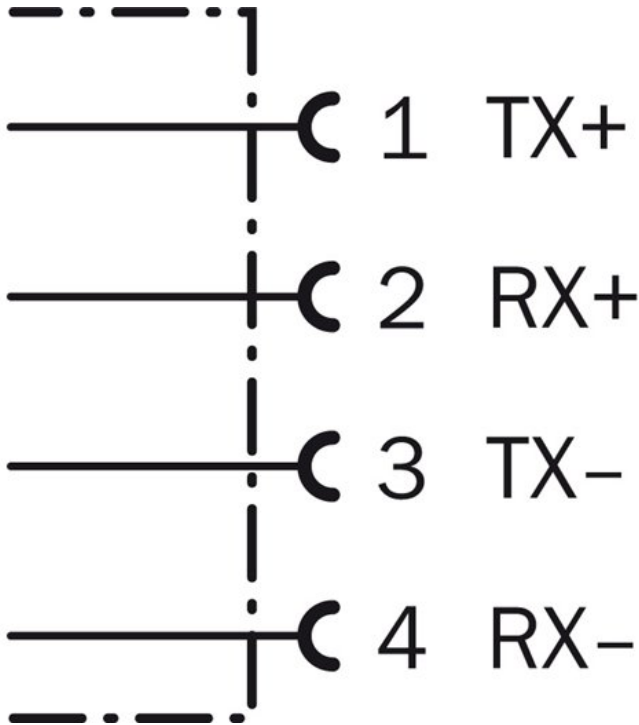


Connection type

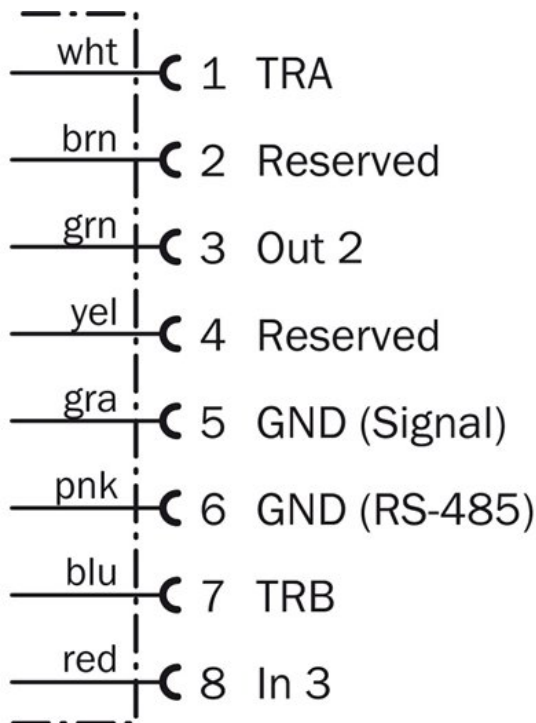


- [1] Power I/O: M12, 8-pin, male (illumination trigger output)
- [2] Ethernet: M12, 4-pin, D-coded, female
- [3] M12, 8-pin female connector (RS-485)

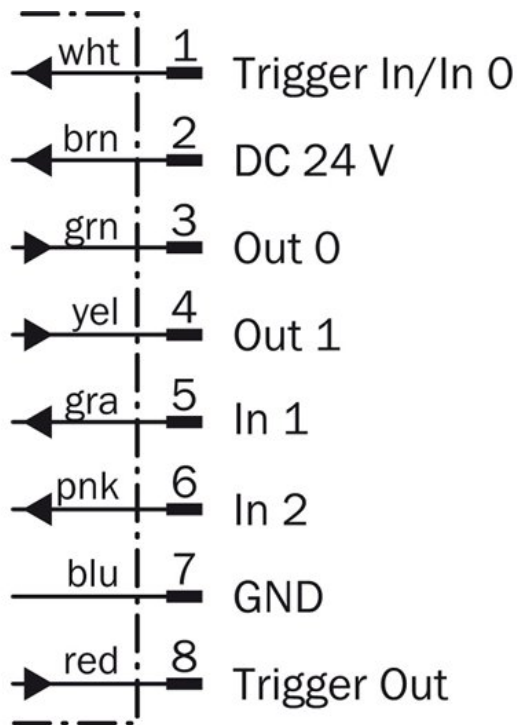
Connection diagram Ethernet



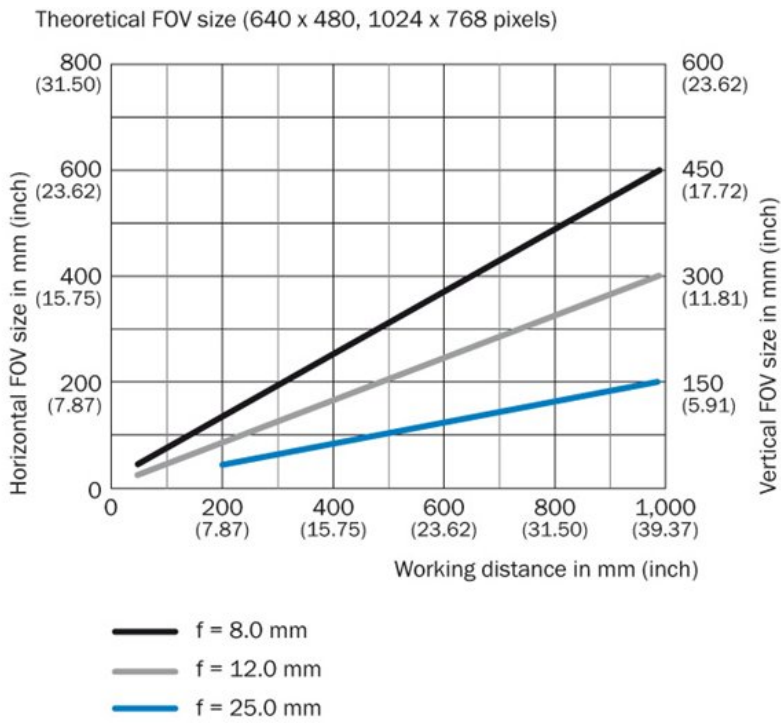
Connection diagram RS-485



Connection diagram Power I/O



Field of view



Australia

Phone +61 3 9457 0600
1800 334 802 – tollfree
E-Mail sales@sick.com.au

Belgium/Luxembourg

Phone +32 (0)2 466 55 66
E-Mail info@sick.be

Brasil

Phone +55 11 3215-4900
E-Mail sac@sick.com.br

Canada

Phone +1 905 771 14 44
E-Mail information@sick.com

Ceská Republika

Phone +420 2 57 91 18 50
E-Mail sick@sick.cz

China

Phone +86 4000 121 000
E-Mail info.china@sick.net.cn
Phone +852-2153 6300
E-Mail ghk@sick.com.hk

Danmark

Phone +45 45 82 64 00
E-Mail sick@sick.dk

Deutschland

Phone +49 211 5301-301
E-Mail kundenservice@sick.de

España

Phone +34 93 480 31 00
E-Mail info@sick.es

France

Phone +33 1 64 62 35 00
E-Mail info@sick.fr

Great Britain

Phone +44 (0)1727 831121
E-Mail info@sick.co.uk

India

Phone +91-22-4033 8333
E-Mail info@sick-india.com

Israel

Phone +972-4-6801000
E-Mail info@sick-sensors.com

Italia

Phone +39 02 27 43 41
E-Mail info@sick.it

Japan

Phone +81 (0)3 3358 1341
E-Mail support@sick.jp

Magyarország

Phone +36 1 371 2680
E-Mail office@sick.hu

Nederlands

Phone +31 (0)30 229 25 44
E-Mail info@sick.nl

Norge

Phone +47 67 81 50 00
E-Mail austefjord@sick.no

Österreich

Phone +43 (0)22 36 62 28 8-0
E-Mail office@sick.at

Polska

Phone +48 22 837 40 50
E-Mail info@sick.pl

România

Phone +40 356 171 120
E-Mail office@sick.ro

Russia

Phone +7-495-775-05-30
E-Mail info@sick.ru

Schweiz

Phone +41 41 619 29 39
E-Mail contact@sick.ch

Singapore

Phone +65 6744 3732
E-Mail admin@sicksgp.com.sg

Slovenija

Phone +386 (0)1-47 69 990
E-Mail office@sick.si

South Africa

Phone +27 11 472 3733
E-Mail info@sickautomation.co.za

South Korea

Phone +82 2 786 6321/4
E-Mail info@sickkorea.net

Suomi

Phone +358-9-25 15 800
E-Mail sick@sick.fi

Sverige

Phone +46 10 110 10 00
E-Mail info@sick.se

Taiwan

Phone +886-2-2375-6288
E-Mail sales@sick.com.tw

Türkiye

Phone +90 (216) 528 50 00
E-Mail info@sick.com.tr

United Arab Emirates

Phone +971 (0) 4 8865 878
E-Mail info@sick.ae

USA/México

Phone +1(952) 941-6780
1 800-325-7425 – tollfree
E-Mail info@sickusa.com

More representatives and agencies
at www.sick.com