



Vision sensors
CVS, CVS3

CVS3-N132



Model Name > [CVS3-N132](#)
Part No. > [1028672](#)

At a glance

- Object inspection by shape or size
- Check for surface contamination
- Color imager for contrast optimization
- Reference capacity of 15 reference images
- Parameter up- and download to PC
- Compact IP-67 rated housing with integrated display for configuration and monitoring
- Different variants for different fields of view and working distances

Your benefits

- The object inspection by shape ensures you a correct outline of your produced part
- The surface contamination check ensures that no dirt or scratches have appeared on your product before it is sent to your customer
- The color imager enhances contrast on colored objects and makes the decision more reliable
- Reference capacity of 15 reference images reduces the complexity of your batch production control and will save you cost
- The integrated display provides an easy and economical way to monitor the process



The product has been discontinued. Please follow the "replacement product" link for information about alternative products.



Features

Task:	Inspection
Technology:	2D Image analysis Snapshot
Toolset:	Contour inspection
Working distance internal illumination:	31 mm ... 39 mm
Light source:	White
Spectral range:	Ca. 400 nm ... 750 nm
LED class:	Risk group 1 (low risk, IEC62471 : 2006)
Offline support:	Configuration

Performance

Resolution:	208 px x 236 px x 3 px (RGB)
Maximum performance:	142 fps
Typical performance:	20 fps
Number of inspections:	1

Interfaces

Operator interfaces:	External display or integrated display
Configuration software:	CVS device software, CVS3 Dataloader (PC)
Communication interfaces:	RS-232
Digital inputs:	HIGH (corresp. 8 V)
Configurable inputs:	Reference object selection External trigger External teach
Digital outputs:	NPN
Configurable outputs:	Auxiliary
Output current:	< 100 mA
Default outputs:	Inspection passed

Mechanics/electronics

Connectors:	HRS, 6-pin (external lighting/monitor) Cable, 8-wire, 2 m (I/O, power)
Power consumption:	< 220 mA Without output load (at 24 V)
Ripple:	< 5 Vpp
Enclosure rating:	IP 67
Housing material:	ABS, Acryl glass, Polycarbonate
Weight:	180 g
Dimensions (L x W x H):	95 mm x 42 mm x 34 mm

Ambient data

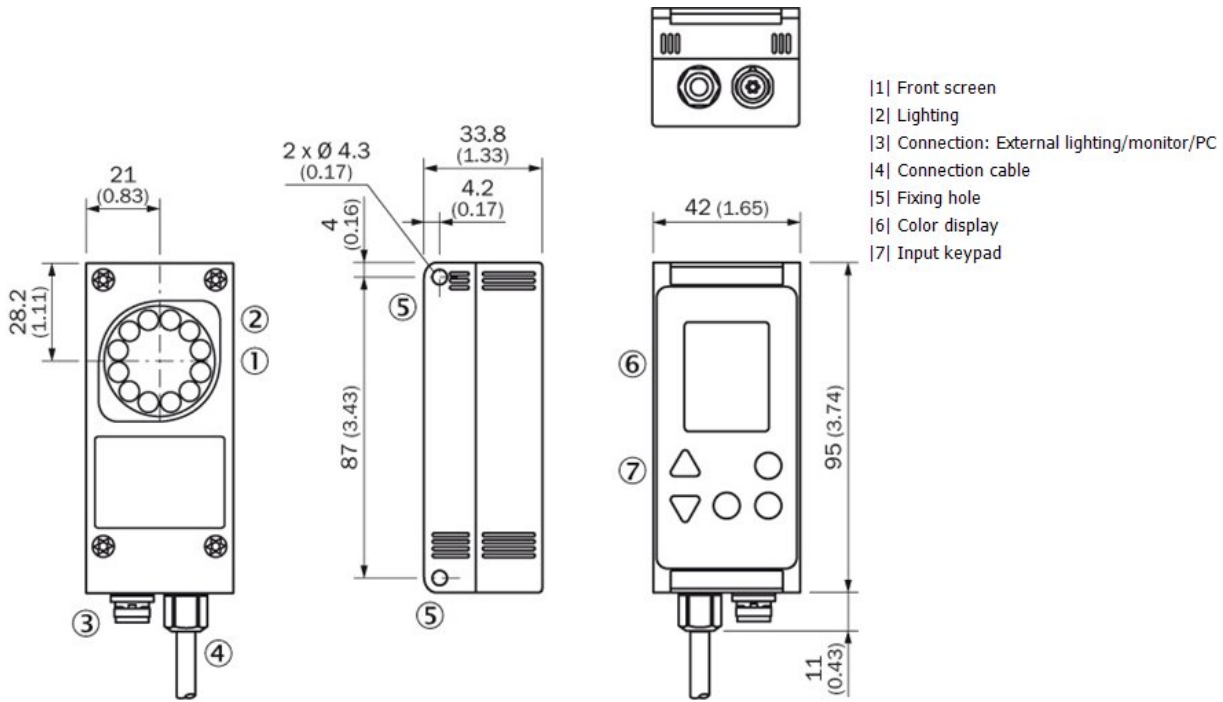
Ambient operating temperature ¹⁾ :	0 °C ... 40 °C
Ambient storage temperature ²⁾ :	-20 °C ... 70 °C

^{1) 2)} Relative humidity: 35 % ... 85 %, 95 % at storage

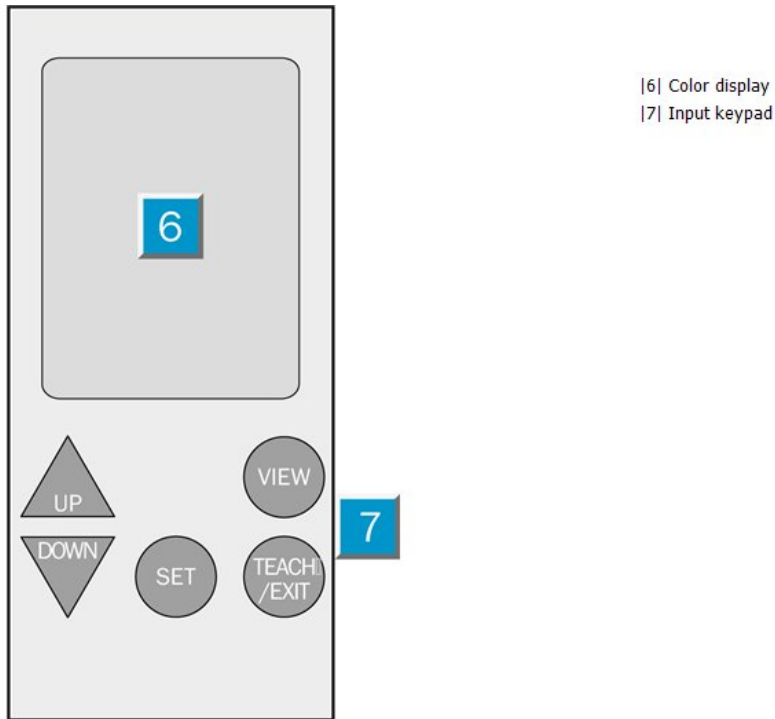
General notes

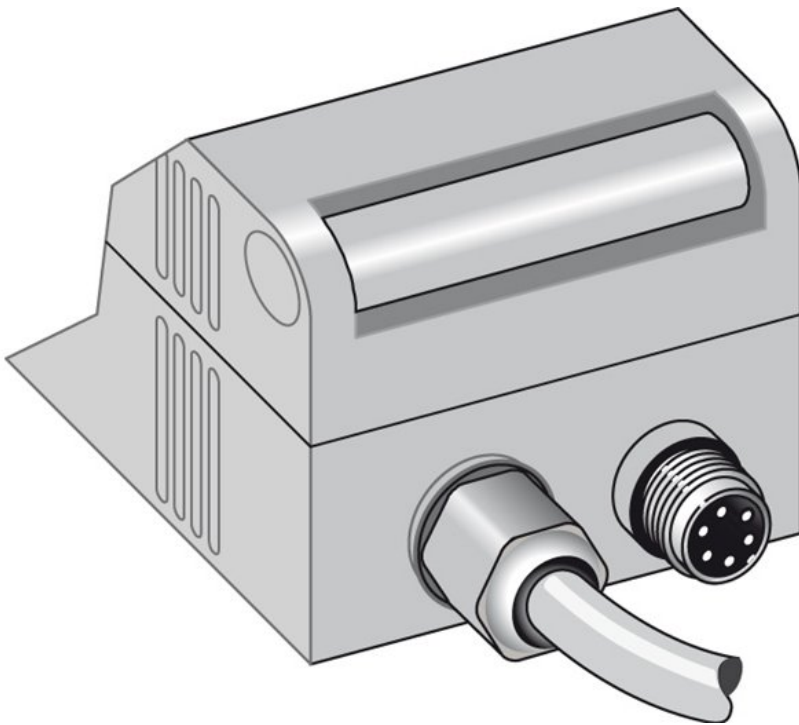
Life cycle phase:	Phased out
-------------------	------------

Dimensional drawing



Adjustment possible





Australia

Phone +61 3 9457 0600
1800 334 802 – tollfree
E-Mail sales@sick.com.au

Belgium/Luxembourg

Phone +32 (0)2 466 55 66
E-Mail info@sick.be

Brasil

Phone +55 11 3215-4900
E-Mail sac@sick.com.br

Canada

Phone +1 905 771 14 44
E-Mail information@sick.com

Ceská Republika

Phone +420 2 57 91 18 50
E-Mail sick@sick.cz

China

Phone +86 4000 121 000
E-Mail info.china@sick.net.cn
Phone +852-2153 6300
E-Mail ghk@sick.com.hk

Danmark

Phone +45 45 82 64 00
E-Mail sick@sick.dk

Deutschland

Phone +49 211 5301-301
E-Mail kundenservice@sick.de

España

Phone +34 93 480 31 00
E-Mail info@sick.es

France

Phone +33 1 64 62 35 00
E-Mail info@sick.fr

Great Britain

Phone +44 (0)1727 831121
E-Mail info@sick.co.uk

India

Phone +91-22-4033 8333
E-Mail info@sick-india.com

Israel

Phone +972-4-6801000
E-Mail info@sick-sensors.com

Italia

Phone +39 02 27 43 41
E-Mail info@sick.it

Japan

Phone +81 (0)3 3358 1341
E-Mail support@sick.jp

Magyarország

Phone +36 1 371 2680
E-Mail office@sick.hu

Nederlands

Phone +31 (0)30 229 25 44
E-Mail info@sick.nl

Norge

Phone +47 67 81 50 00
E-Mail austefjord@sick.no

Österreich

Phone +43 (0)22 36 62 28 8-0
E-Mail office@sick.at

Polska

Phone +48 22 837 40 50
E-Mail info@sick.pl

România

Phone +40 356 171 120
E-Mail office@sick.ro

Russia

Phone +7-495-775-05-30
E-Mail info@sick.ru

Schweiz

Phone +41 41 619 29 39
E-Mail contact@sick.ch

Singapore

Phone +65 6744 3732
E-Mail admin@sicksgp.com.sg

Slovenija

Phone +386 (0)1-47 69 990
E-Mail office@sick.si

South Africa

Phone +27 11 472 3733
E-Mail info@sickautomation.co.za

South Korea

Phone +82 2 786 6321/4
E-Mail info@sickkorea.net

Suomi

Phone +358-9-25 15 800
E-Mail sick@sick.fi

Sverige

Phone +46 10 110 10 00
E-Mail info@sick.se

Taiwan

Phone +886-2-2375-6288
E-Mail sales@sick.com.tw

Türkiye

Phone +90 (216) 528 50 00
E-Mail info@sick.com.tr

United Arab Emirates

Phone +971 (0) 4 8865 878
E-Mail info@sick.ae

USA/México

Phone +1(952) 941-6780
1 800-325-7425 – tollfree
E-Mail info@sickusa.com

More representatives and agencies
at www.sick.com