



Short range distance sensors (displacement) DT2

DT2-410



Model Name > **DT2-410**
Part No. > **1024093**



At a glance

- Measuring range of 50 mm ... 300 mm
- Resolution of 1 mm
- Infrared sender, which is not visible to the human eye
- Analog output for use in measurement applications
- Plug and play sensor - no adjustment necessary
- Rugged and small metal housing

Your benefits

- Plug and play -fast and easy commissioning without sensor adjustments
- Inconspicuous and therefore non distracting by use of infrared light
- Tough metal housing permits operation in harsh environments
- Compact sensor housing makes it an ideal solution for applications with limited space
- Analog output allows one sensor to solve several applications, reducing purchasing and engineering costs

The product has been discontinued. Please follow the "replacement product" link for information about alternative products.



Performance

Measuring range:	50 mm ... 250 mm, 6 % remission, 50 mm ... 300 mm, 90 % remission
Resolution:	1 mm ¹⁾
Repeatability::	1.5 mm ... 6 mm/10 mm ... 15 mm ^{2) 3)}
Response time:	200 ms
Light source:	LED, infrared
Typ. light spot size (distance):	80 mm x 80 mm (at 300 mm)
Additional function:	Plug & Play
Accuracy::	± 8 % ^{4) 5)}
Service life:	100,000 h

¹⁾ 6 % ... 90 % remission ²⁾ Depending on current distance: ≤ 200 mm / > 200 mm ^{3) 5)} 90 % remission ⁴⁾ On actual value

Interfaces

Analog output:	4 mA ... 20 mA
----------------	----------------

Mechanics/electronics

Connection type:	Connector M12, 4-pin
Supply voltage V_s ¹⁾ :	DC 18 V ... 30 V
Power consumption ²⁾ :	≤ 3 W
Housing material:	Metal
Ripple:	≤ 5 Vpp ³⁾

¹⁾ Limit values, reverse-polarity protected, operation in short-circuit protected network, max. 8 A ²⁾ Without load ³⁾ May not fall short of or exceed V_s tolerances

Ambient data

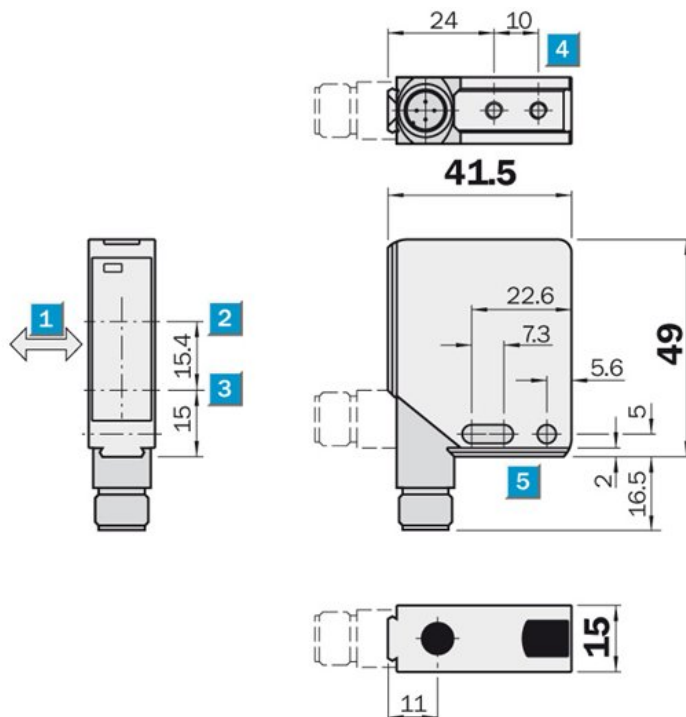
Enclosure rating:	IP 67
Protection class:	III ¹⁾
Ambient temperature:	Operation: -10 ... 45 °C, Storage: -25 ... 75 °C
Vibration resistance:	EN 60068-2-6/-2-64
Shock resistance:	EN 60068-2-27

¹⁾ Reference voltage DC 32 V

General notes

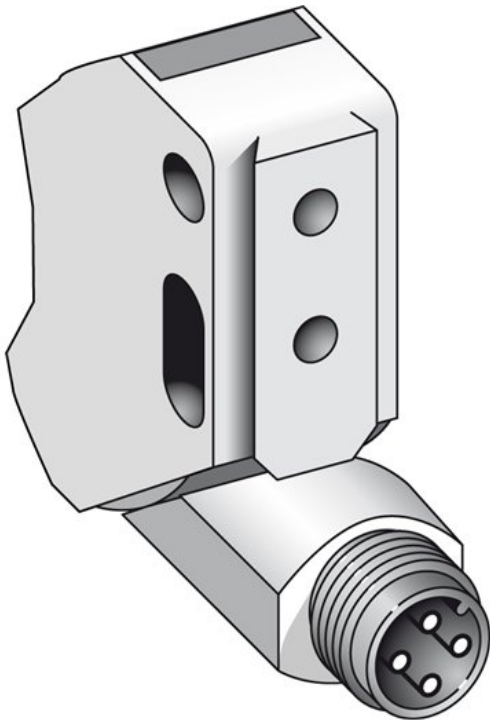
Life cycle phase:	Phased out
-------------------	------------

Dimensional drawing

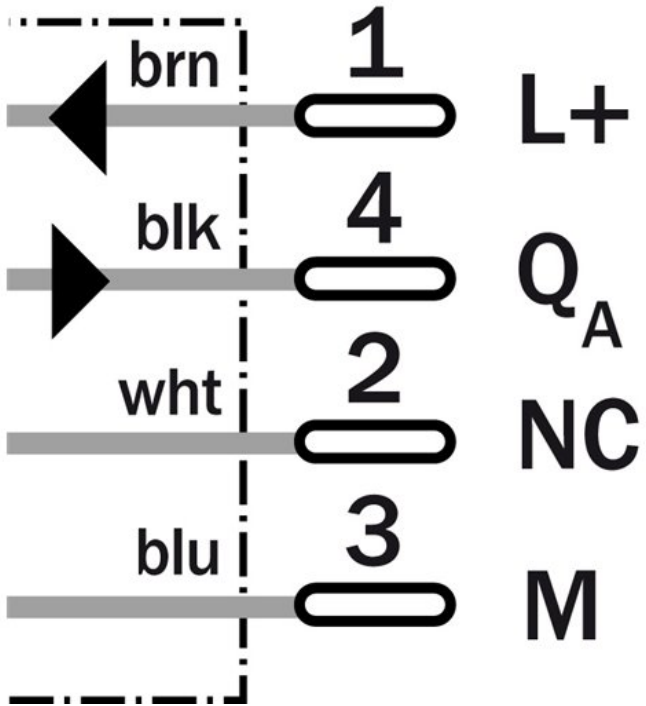


- [1] Standard direction of the material being scanned
- [2] Optical axis, receiver
- [3] Optical axis, sender
- [4] M4 threaded mounting hole, 4 mm deep
- [5] Mounting hole \varnothing 4.2 mm

Connection type



Connection diagram



Australia

Phone +61 3 9457 0600
1800 334 802 – tollfree
E-Mail sales@sick.com.au

Belgium/Luxembourg

Phone +32 (0)2 466 55 66
E-Mail info@sick.be

Brasil

Phone +55 11 3215-4900
E-Mail sac@sick.com.br

Canada

Phone +1 905 771 14 44
E-Mail information@sick.com

Ceská Republika

Phone +420 2 57 91 18 50
E-Mail sick@sick.cz

China

Phone +86 4000 121 000
E-Mail info.china@sick.net.cn
Phone +852-2153 6300
E-Mail ghk@sick.com.hk

Danmark

Phone +45 45 82 64 00
E-Mail sick@sick.dk

Deutschland

Phone +49 211 5301-301
E-Mail kundenservice@sick.de

España

Phone +34 93 480 31 00
E-Mail info@sick.es

France

Phone +33 1 64 62 35 00
E-Mail info@sick.fr

Great Britain

Phone +44 (0)1727 831121
E-Mail info@sick.co.uk

India

Phone +91-22-4033 8333
E-Mail info@sick-india.com

Israel

Phone +972-4-6801000
E-Mail info@sick-sensors.com

Italia

Phone +39 02 27 43 41
E-Mail info@sick.it

Japan

Phone +81 (0)3 3358 1341
E-Mail support@sick.jp

Magyarország

Phone +36 1 371 2680
E-Mail office@sick.hu

Nederlands

Phone +31 (0)30 229 25 44
E-Mail info@sick.nl

Norge

Phone +47 67 81 50 00
E-Mail austefjord@sick.no

Österreich

Phone +43 (0)22 36 62 28 8-0
E-Mail office@sick.at

Polska

Phone +48 22 837 40 50
E-Mail info@sick.pl

România

Phone +40 356 171 120
E-Mail office@sick.ro

Russia

Phone +7-495-775-05-30
E-Mail info@sick.ru

Schweiz

Phone +41 41 619 29 39
E-Mail contact@sick.ch

Singapore

Phone +65 6744 3732
E-Mail admin@sicksgp.com.sg

Slovenija

Phone +386 (0)1-47 69 990
E-Mail office@sick.si

South Africa

Phone +27 11 472 3733
E-Mail info@sickautomation.co.za

South Korea

Phone +82 2 786 6321/4
E-Mail info@sickkorea.net

Suomi

Phone +358-9-25 15 800
E-Mail sick@sick.fi

Sverige

Phone +46 10 110 10 00
E-Mail info@sick.se

Taiwan

Phone +886-2-2375-6288
E-Mail sales@sick.com.tw

Türkiye

Phone +90 (216) 528 50 00
E-Mail info@sick.com.tr

United Arab Emirates

Phone +971 (0) 4 8865 878
E-Mail info@sick.ae

USA/México

Phone +1(952) 941-6780
1 800-325-7425 – tollfree
E-Mail info@sickusa.com

More representatives and agencies
at www.sick.com