



Short range distance sensors (displacement) DT20 Hi

DT20-P224B



Model Name > DT20-P224B
Part No. > 1040405



At a glance

- Four measuring ranges from 50 mm up to 1,000 mm
- Very high linearity of up to ± 0.5 mm
- CMOS receiving element enables accurate distance measurement independent of color or shininess
- Red laser
- Scaleable analog and switching output
- Display with easy to use setup menu
- Advanced settings (e.g., averaging function, external laser-off, etc.)

Your benefits

- Reliable, precise measurement, independent of surface, increases production quality
- Reliable and consistent measurements, regardless of color, reduce changeover time
- Advanced settings provide increased application flexibility to easily solve customer-specific applications
- Fast commissioning via button, remote or numerical teach
- Easy, precise alignment and verification based on red laser light and LC display, decreasing commissioning time
- Tough metal housing permits operation in harsh environments



Performance

Measuring range:	100 mm ... 1,000 mm, 6 % ... 90 % remission
Resolution::	1 mm ^{1) 2)}
Repeatability:::	10 mm/5 mm/2.5 mm ^{3) 4) 5) 6)}
Linearity:::	± 6 mm ^{7) 8) 9)}
Response time ¹⁰⁾ :	2,5 ms/10 ms/40 ms
Measuring frequency:	400 Hz
Light source:	Laser, red
Laser protection class:	2 (EN 60825-1)
Typ. light spot size (distance):	6 mm x 12 mm (1000 mm)
Additional function:	Switch-off display, Invertible analog output, Teach-in of analog output, Teach-in of switching output, Set moving average fast/medium/slow, Multifunctional input: laser off, external teach-in, deactivated, Inverted switching output, Switching mode Distance to object (DtO), Lock user interface
Output rate:	< 2.8 ms

1) 3) 6 % ... 90 % remission 2) 6) 9) The models with measuring range of 100 mm ... 1,000 mm meets the specification of the models with measuring range of 100 mm ... 1,000 mm for distances < 600 mm 4) 10) Dependent on the set average: fast/medium/slow 5) 8) When calibrated in the application regularly 7) 90 % remission

Interfaces

Multifunctional input ¹⁾ :	1 x MF
Output type ²⁾ :	1 x PNP (100 mA)
Analog output:	1 x 4 mA ... 20 mA ($\leq 300 \Omega$)
Resolution analog output:	12 bit

¹⁾ MF can be used as laser-off, external teach-in or deactivated ²⁾ PNP: HIGH = $V_S - (< 2 V)$ /LOW = $< 2 V$; NPN: HIGH = $< 2 V$ /LOW = V_S

Mechanics/electronics

Connection type:	Connector M12, 5-pin
Supply voltage V_S ¹⁾ :	DC 10 V ... 30 V
Power consumption ²⁾ :	$\leq 1.8 W$
Warm-up time:	$\leq 10 \text{ min}$
Indication:	2 x LED, LC display
Weight:	135 g
Housing material:	Metal housing with PMMA lens
Ripple:	$\leq 5 V_{pp}$ ³⁾

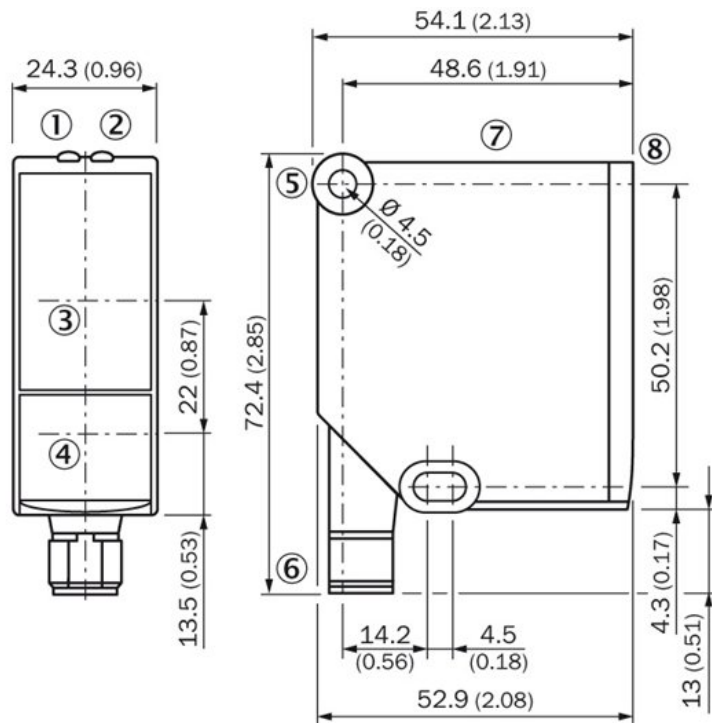
¹⁾ Limit values, reverse-polarity protected, operation in short-circuit protected network, max. 8 A ²⁾ Without load ³⁾ May not fall short of or exceed V_S tolerances

Ambient data

Enclosure rating:	IP 65
Protection class:	II
Ambient temperature:	Operation: $-20 \dots 55 \text{ }^\circ\text{C}$, Storage: $-40 \dots 60 \text{ }^\circ\text{C}$ ¹⁾
Temperature drift:	0.25 mm/K ²⁾
Typ. ambient light safety:	Artificial light: $\leq 3,000 \text{ lx}$ Sunlight: $\leq 10,000 \text{ lx}$
Vibration resistance:	EN 60068-2-6/-2-64
Shock resistance:	EN 60068-2-27

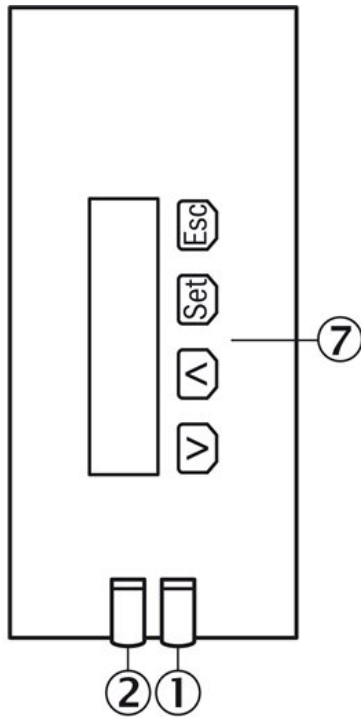
¹⁾ Operating temperature at $V_S = 24 V$ ²⁾ 0.5 mm/K : for distances $> 600 \text{ mm}$

Dimensional drawing



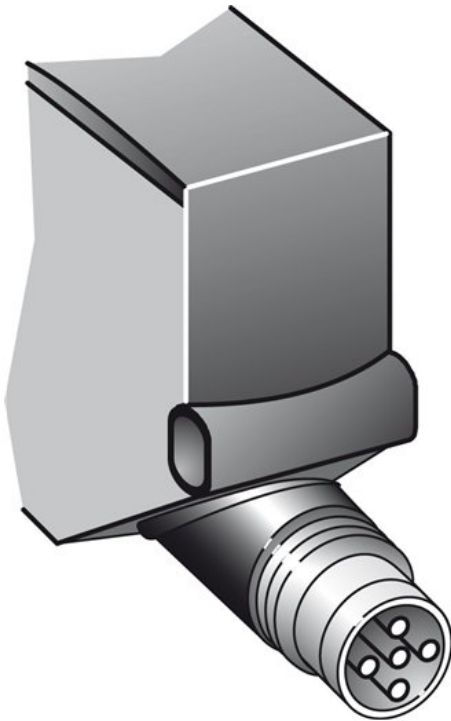
- |1| Status indicator power on (green)
- |2| Status indicator switching output (orange)
- |3| Optical axis, receiver
- |4| Optical axis, sender
- |5| Mounting hole
- |6| Connector M12, 5-pin
- |7| Operating keys and display
- |8| Reference surface = 0 mm

Adjustments

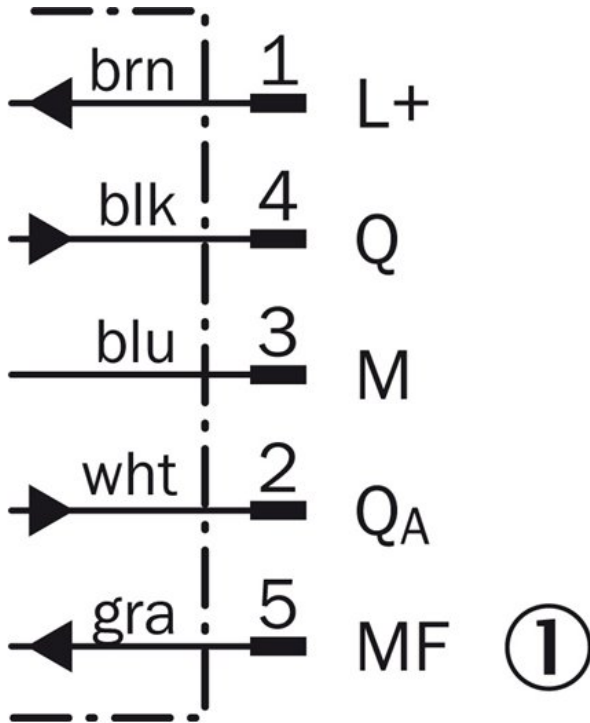


- |1| Status indicator power on (green)
- |2| Status indicator switching output (orange)
- |7| Operating keys and display

Connection type



Connection diagram



[1] Multifunctional input

Einstellung der Tastensperre

Measurement range	Mode	Response time ^{*)}	Reproducibility
50 mm ... 150 mm	Fast	2.5 ms	± 0.5 mm
	Medium	10 ms	± 0.25 mm
	Slow	40 ms	± 0.13 mm
100 mm ... 300 mm	Fast	2.5 ms	± 1 mm
	Medium	10 ms	± 0.5 mm
	Slow	40 ms	± 0.25 mm
100 mm ... 600 mm	Fast	2.5 ms	± 2 mm
	Medium	10 ms	± 1 mm
	Slow	40 ms	± 0.5 mm
100 mm ... 1,000 mm	Fast	2.5 ms	± 5 mm
	Medium	10 ms	± 2.5 mm
	Slow	40 ms	± 1.25 mm

^{*)} Continuous change of distance to object within measurement range.

Australia

Phone +61 3 9457 0600
1800 334 802 – tollfree
E-Mail sales@sick.com.au

Belgium/Luxembourg

Phone +32 (0)2 466 55 66
E-Mail info@sick.be

Brasil

Phone +55 11 3215-4900
E-Mail sac@sick.com.br

Canada

Phone +1 905 771 14 44
E-Mail information@sick.com

Ceská Republika

Phone +420 2 57 91 18 50
E-Mail sick@sick.cz

China

Phone +86 4000 121 000
E-Mail info.china@sick.net.cn
Phone +852-2153 6300
E-Mail ghk@sick.com.hk

Danmark

Phone +45 45 82 64 00
E-Mail sick@sick.dk

Deutschland

Phone +49 211 5301-301
E-Mail kundenservice@sick.de

España

Phone +34 93 480 31 00
E-Mail info@sick.es

France

Phone +33 1 64 62 35 00
E-Mail info@sick.fr

Great Britain

Phone +44 (0)1727 831121
E-Mail info@sick.co.uk

India

Phone +91-22-4033 8333
E-Mail info@sick-india.com

Israel

Phone +972-4-6801000
E-Mail info@sick-sensors.com

Italia

Phone +39 02 27 43 41
E-Mail info@sick.it

Japan

Phone +81 (0)3 3358 1341
E-Mail support@sick.jp

Magyarország

Phone +36 1 371 2680
E-Mail office@sick.hu

Nederlands

Phone +31 (0)30 229 25 44
E-Mail info@sick.nl

Norge

Phone +47 67 81 50 00
E-Mail austefjord@sick.no

Österreich

Phone +43 (0)22 36 62 28 8-0
E-Mail office@sick.at

Polska

Phone +48 22 837 40 50
E-Mail info@sick.pl

România

Phone +40 356 171 120
E-Mail office@sick.ro

Russia

Phone +7-495-775-05-30
E-Mail info@sick.ru

Schweiz

Phone +41 41 619 29 39
E-Mail contact@sick.ch

Singapore

Phone +65 6744 3732
E-Mail admin@sicksgp.com.sg

Slovenija

Phone +386 (0)1-47 69 990
E-Mail office@sick.si

South Africa

Phone +27 11 472 3733
E-Mail info@sickautomation.co.za

South Korea

Phone +82 2 786 6321/4
E-Mail info@sickkorea.net

Suomi

Phone +358-9-25 15 800
E-Mail sick@sick.fi

Sverige

Phone +46 10 110 10 00
E-Mail info@sick.se

Taiwan

Phone +886-2-2375-6288
E-Mail sales@sick.com.tw

Türkiye

Phone +90 (216) 528 50 00
E-Mail info@sick.com.tr

United Arab Emirates

Phone +971 (0) 4 8865 878
E-Mail info@sick.ae

USA/México

Phone +1(952) 941-6780
1 800-325-7425 – tollfree
E-Mail info@sickusa.com

More representatives and agencies
at www.sick.com