



## Register sensors Ethernet POWERLINK

RS25-WF334000



**Model Name** > [RS25-WF334000](#)  
**Part No.** > [1062005](#)



**This kit includes the following items:**

Model Name	Part No.
> <a href="#">RS25 - optical sensor head</a>	

**At a glance**

- PLC embedded register control
- Multi LED (RGB)
- Fast communication via Ethernet Powerlink
- Very high repeatability ( 40 µm)
- Detects up to 20 marks of different colors
- Reading window for improved reliability

**Your benefits**

- High precision to enhance print quality
- Sensor for explosive gas areas - ATEX certified
- Flexible solution via the PLC embedded register control unit
- Cost-saving potential with less material waste and less production conversion time



**Features**

Dimensions (L x W x H):	200 m x 100 m x 47 m
Sensing distance:	10 mm
Sensing distance tolerance:	± 1 mm
Light source:	LED red, green, blue
Maximum No. of marks in register:	18
Start code:	Configurable

**Interfaces**

Data interface:	Ethernet POWERLINK
-----------------	--------------------

**Mechanics/electronics**

Supply voltage $V_s$ <sup>1)</sup> :	DC 12 V ... 30 V
Power consumption <sup>2)</sup> :	< 250 mA
Connection type:	2 x M12, 4-pin, Ethernet
Protection class <sup>3)</sup> :	III
Circuit protection:	Outputs overcurrent and short-circuit protected Interference suppression VS connections reverse-polarity protected

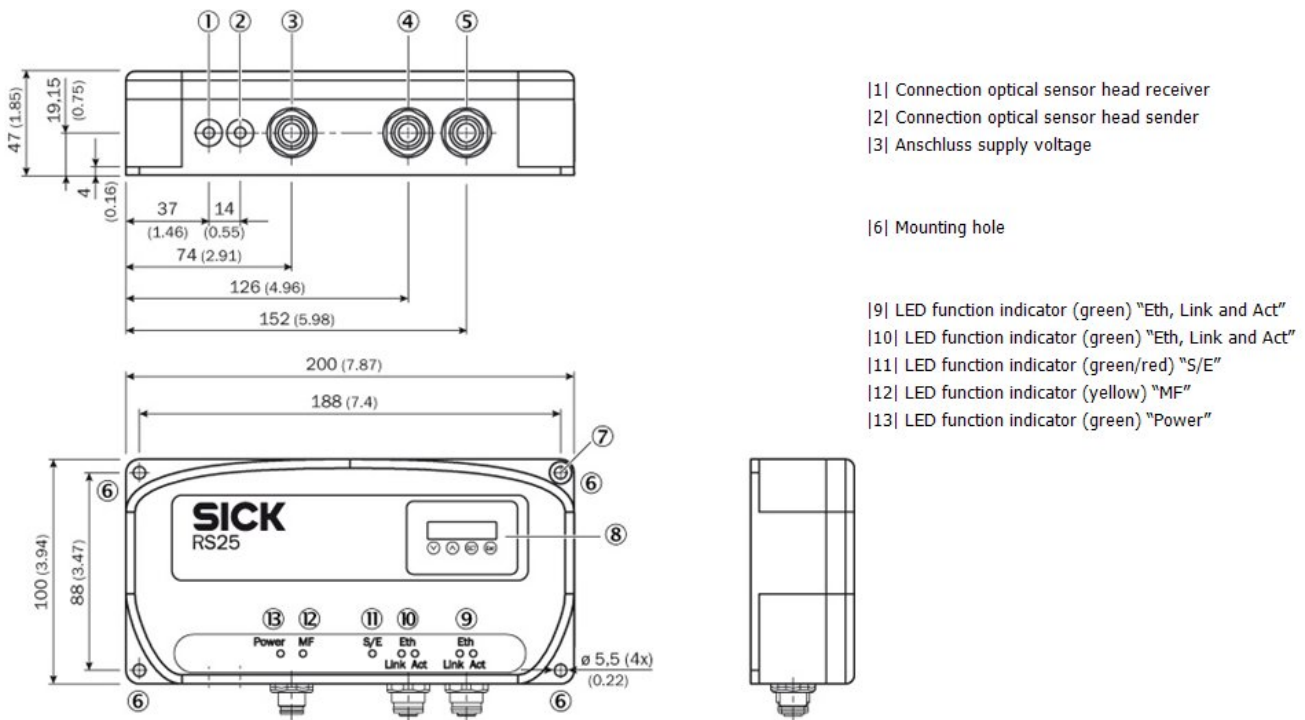
Enclosure rating: IP 65  
 Weight: 1,000 g  
 Housing material: Aluminum  
 Accuracy: 40 µm  
 ATEX approval: 0

1) Limit values: operation in short-circuit protected network max. 8 A 2) Without load 3) Reference voltage DC 50 V

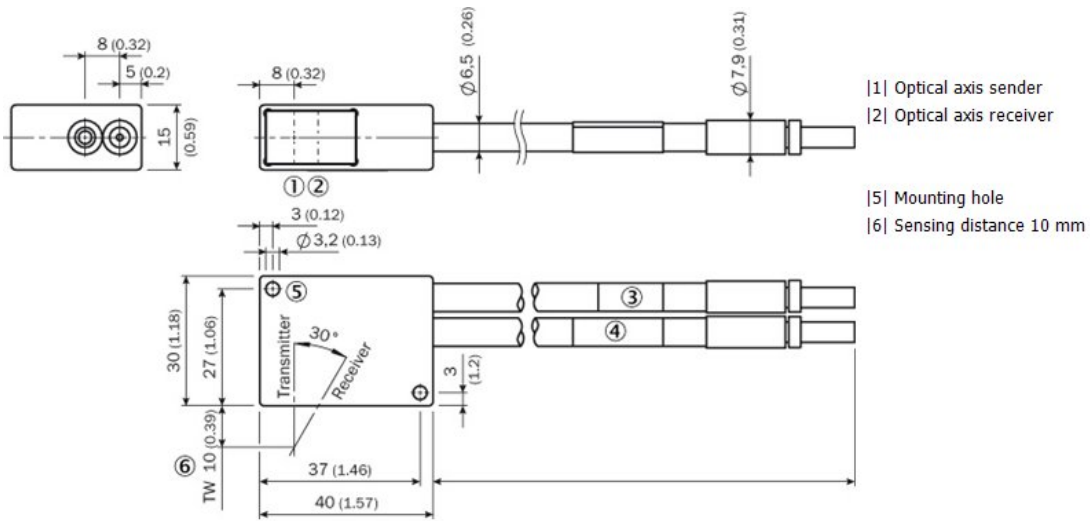
### Ambient data

Ambient temperature: Operation: -10 ... 55 °C  
 Storage: -20 ... 70 °C  
 Shock load: According to IEC 60068

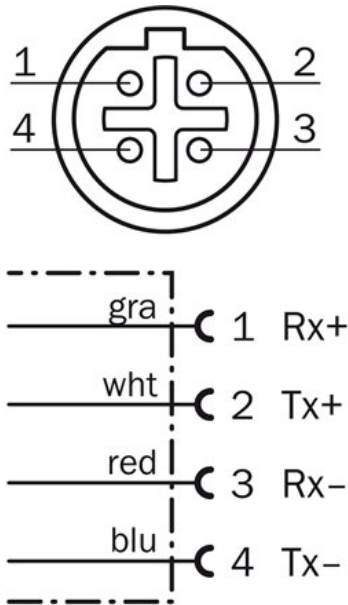
### Dimensional drawing: Evaluation unit



## Dimensional drawing: optical sensor head

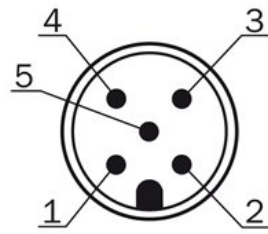


## Connection type and diagram ethernet

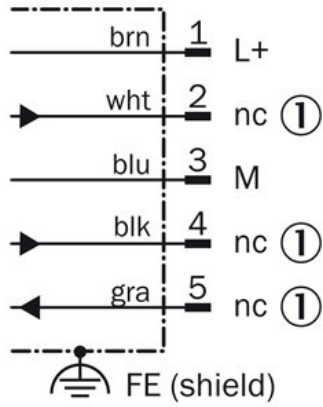


M12 (D-coded)

**Connection type and diagram supply voltage**

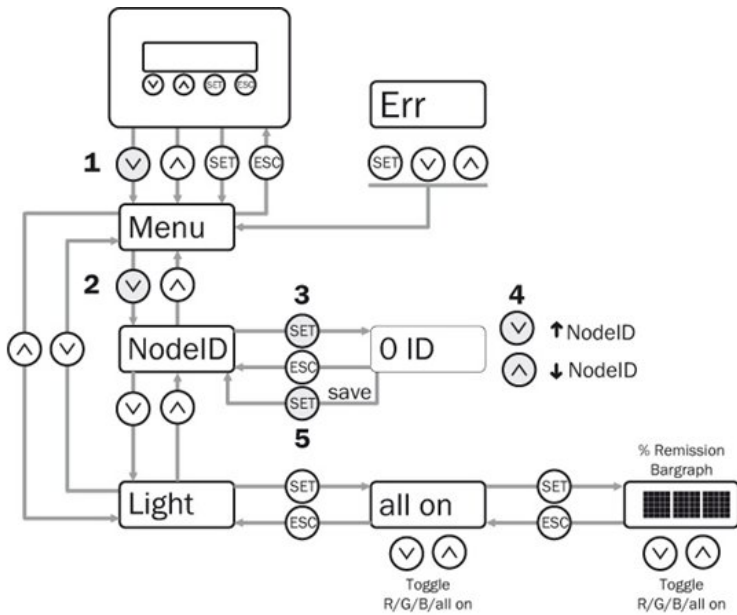


[1] Not connected



M12 (A-coded)

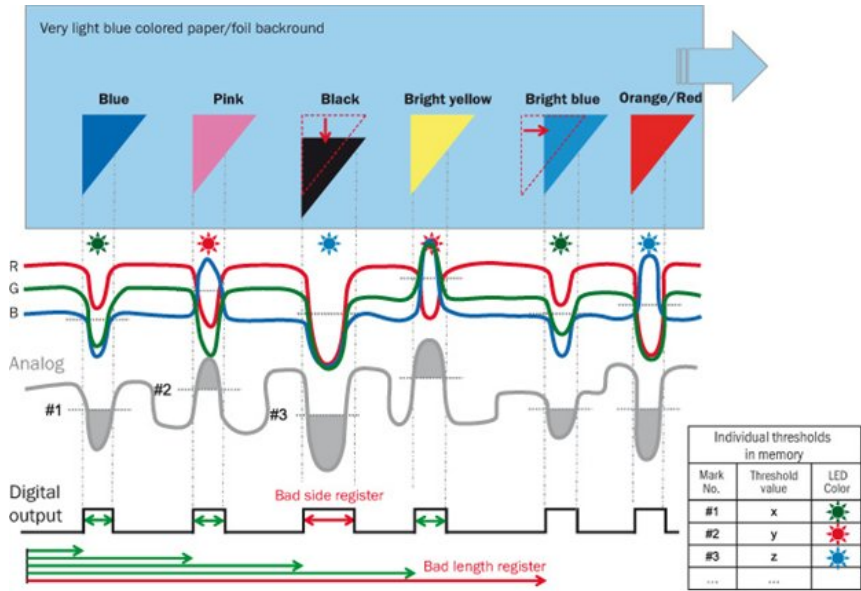
**Flow diagram**



6. Perform a restart. This is done by switching the supply voltage off and then on again after 5 seconds.

The register sensor is ready to communicate with the control (PLC).

# Functional principle



**Australia**

Phone +61 3 9457 0600  
1800 334 802 – tollfree  
E-Mail sales@sick.com.au

**Belgium/Luxembourg**

Phone +32 (0)2 466 55 66  
E-Mail info@sick.be

**Brasil**

Phone +55 11 3215-4900  
E-Mail sac@sick.com.br

**Canada**

Phone +1 905 771 14 44  
E-Mail information@sick.com

**Ceská Republika**

Phone +420 2 57 91 18 50  
E-Mail sick@sick.cz

**China**

Phone +86 4000 121 000  
E-Mail info.china@sick.net.cn  
Phone +852-2153 6300  
E-Mail ghk@sick.com.hk

**Danmark**

Phone +45 45 82 64 00  
E-Mail sick@sick.dk

**Deutschland**

Phone +49 211 5301-301  
E-Mail kundenservice@sick.de

**España**

Phone +34 93 480 31 00  
E-Mail info@sick.es

**France**

Phone +33 1 64 62 35 00  
E-Mail info@sick.fr

**Great Britain**

Phone +44 (0)1727 831121  
E-Mail info@sick.co.uk

**India**

Phone +91-22-4033 8333  
E-Mail info@sick-india.com

**Israel**

Phone +972-4-6801000  
E-Mail info@sick-sensors.com

**Italia**

Phone +39 02 27 43 41  
E-Mail info@sick.it

**Japan**

Phone +81 (0)3 3358 1341  
E-Mail support@sick.jp

**Magyarország**

Phone +36 1 371 2680  
E-Mail office@sick.hu

**Nederlands**

Phone +31 (0)30 229 25 44  
E-Mail info@sick.nl

**Norge**

Phone +47 67 81 50 00  
E-Mail austefjord@sick.no

**Österreich**

Phone +43 (0)22 36 62 28 8-0  
E-Mail office@sick.at

**Polska**

Phone +48 22 837 40 50  
E-Mail info@sick.pl

**România**

Phone +40 356 171 120  
E-Mail office@sick.ro

**Russia**

Phone +7-495-775-05-30  
E-Mail info@sick.ru

**Schweiz**

Phone +41 41 619 29 39  
E-Mail contact@sick.ch

**Singapore**

Phone +65 6744 3732  
E-Mail admin@sicksgp.com.sg

**Slovenija**

Phone +386 (0)1-47 69 990  
E-Mail office@sick.si

**South Africa**

Phone +27 11 472 3733  
E-Mail info@sickautomation.co.za

**South Korea**

Phone +82 2 786 6321/4  
E-Mail info@sickkorea.net

**Suomi**

Phone +358-9-25 15 800  
E-Mail sick@sick.fi

**Sverige**

Phone +46 10 110 10 00  
E-Mail info@sick.se

**Taiwan**

Phone +886-2-2375-6288  
E-Mail sales@sick.com.tw

**Türkiye**

Phone +90 (216) 528 50 00  
E-Mail info@sick.com.tr

**United Arab Emirates**

Phone +971 (0) 4 8865 878  
E-Mail info@sick.ae

**USA/México**

Phone +1(952) 941-6780  
1 800-325-7425 – tollfree  
E-Mail info@sickusa.com

More representatives and agencies  
at [www.sick.com](http://www.sick.com)