



Register sensors RS10

RS10-M111



Model Name > [RS10-M111](#)
Part No. > [1060116](#)



At a glance

- The register is controlled with individual thresholds
- Unique housing: one screw mounting
- Tight dual-sensor mounting ability
- Detects 1-18 marks of different colors
- Easy teach-in via button

Your benefits

- Better performance in low contrast applications or with many color marks (>8)
- Unique housing allows for quick mounting and adjustment
- Dual sensors detect a double columns of marks
- Fast teach procedure for less downtime on the production line



Features

Dimensions (L x W x H):	60 mm x 15 mm x 62 mm
Sensing distance:	13 mm
Sensing distance tolerance:	± 1 mm
Light source ^{1), 2)} :	LED, white
Light spot size:	0.8 mm x 3 mm

¹⁾ Average service life of 100,000 h at $T_A = +25\text{ °C}$ ²⁾ Wave length: 450 nm ... 650 nm

Mechanics/electronics

Supply voltage V_s ¹⁾ :	DC 10 V ... 30 V
Power consumption ²⁾ :	< 100 mA
Response time ³⁾ :	≤ 20 μs
Jitter:	≤ 10 μs
Output type:	PNP/NPN, push-pull
Output current $I_{max.}$:	< 100 mA
Input, teach-in (ET):	PNP: Run: $U < 2\text{ V}$ Teach: $U = 10\text{ V}$
Connection type:	Connector M12, 8-pin
Protection class ⁴⁾ :	II
Circuit protection:	Outputs overcurrent and short-circuit protected Interference suppression VS connections reverse-polarity protected
Enclosure rating:	IP 67

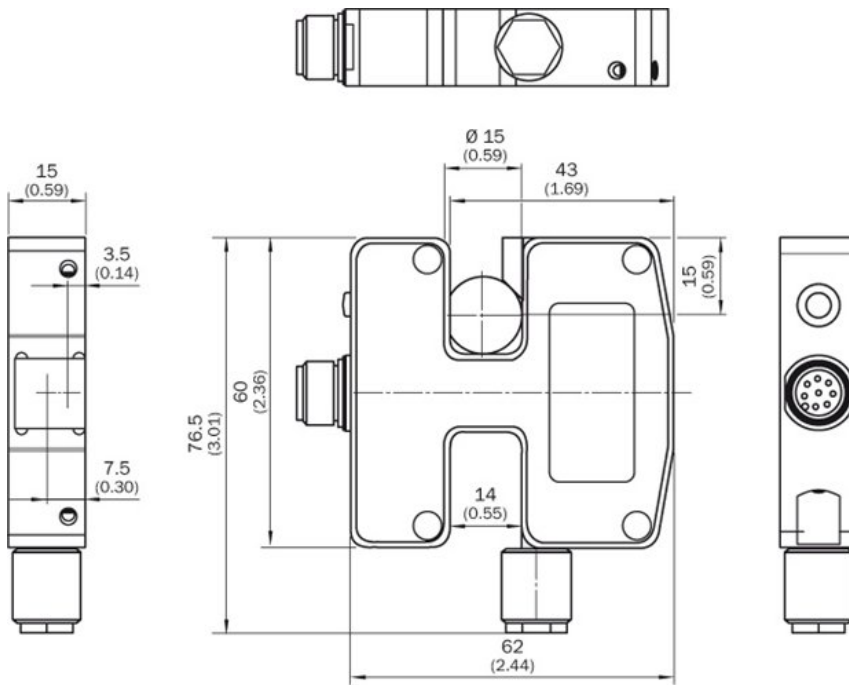
Weight: Ca. 400 g
Housing material: Aluminum (anodised)
Ripple: $\leq 5 \text{ Vpp}$ ⁵⁾

¹⁾ Limit values: operation in short-circuit protected network max. 8 A ²⁾ Without load ³⁾ Signal transit time with resistive load ⁴⁾ Reference voltage DC 35 V ⁵⁾ May not fall short of or exceed V_S tolerances

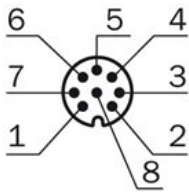
Ambient data

Ambient temperature: Operation: -10 ... 60 °C
 Storage: -25 ... 75 °C
Shock load: According to IEC 60068

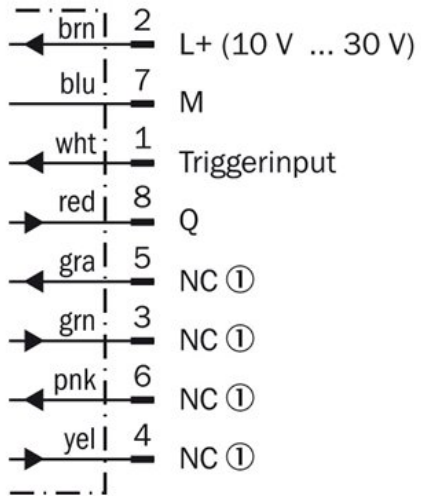
Dimensional drawing



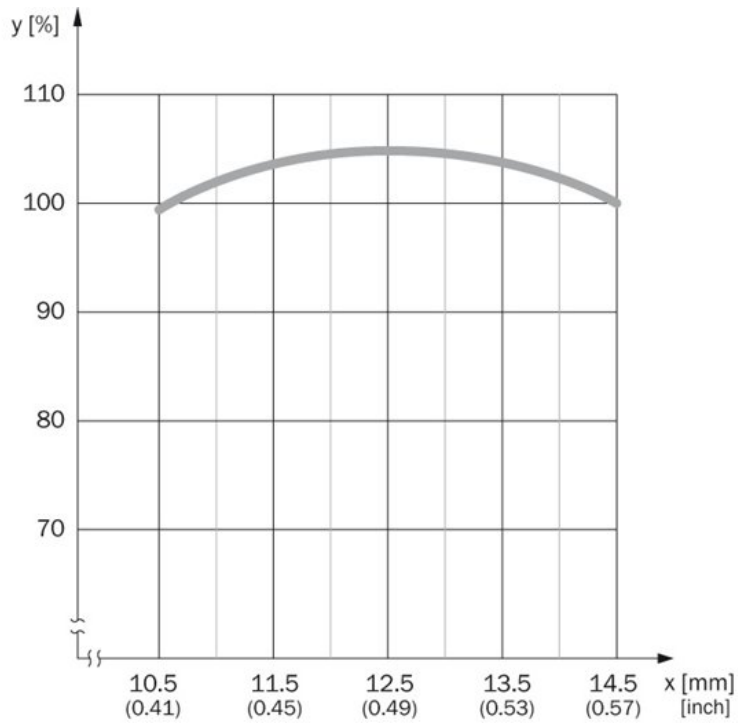
Anschlussart und -schema



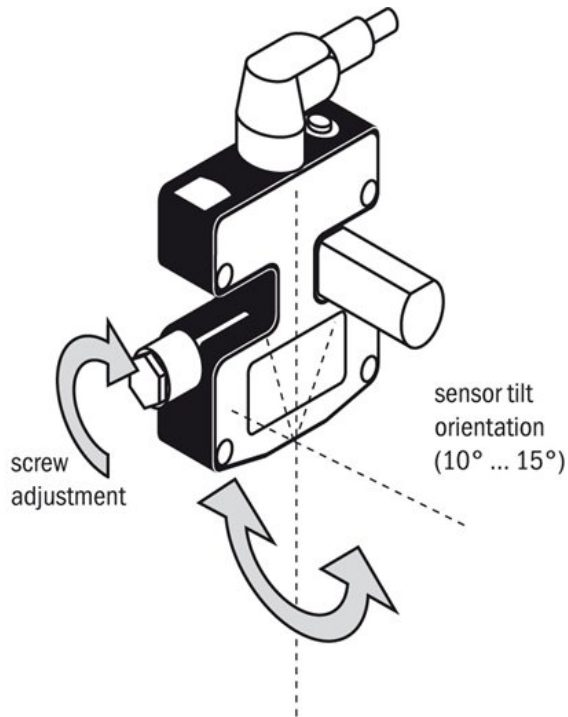
[1] Not connected. Leave open, do not wire to ground.



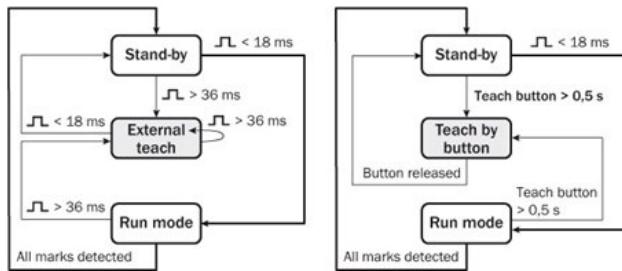
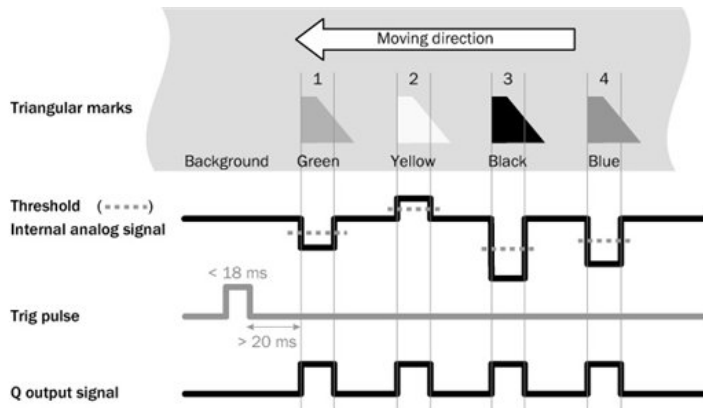
Sensing distance



Instruction for installation



Functional principle



Australia

Phone +61 3 9457 0600
1800 334 802 – tollfree
E-Mail sales@sick.com.au

Belgium/Luxembourg

Phone +32 (0)2 466 55 66
E-Mail info@sick.be

Brasil

Phone +55 11 3215-4900
E-Mail sac@sick.com.br

Canada

Phone +1 905 771 14 44
E-Mail information@sick.com

Ceská Republika

Phone +420 2 57 91 18 50
E-Mail sick@sick.cz

China

Phone +86 4000 121 000
E-Mail info.china@sick.net.cn
Phone +852-2153 6300
E-Mail ghk@sick.com.hk

Danmark

Phone +45 45 82 64 00
E-Mail sick@sick.dk

Deutschland

Phone +49 211 5301-301
E-Mail kundenservice@sick.de

España

Phone +34 93 480 31 00
E-Mail info@sick.es

France

Phone +33 1 64 62 35 00
E-Mail info@sick.fr

Great Britain

Phone +44 (0)1727 831121
E-Mail info@sick.co.uk

India

Phone +91-22-4033 8333
E-Mail info@sick-india.com

Israel

Phone +972-4-6801000
E-Mail info@sick-sensors.com

Italia

Phone +39 02 27 43 41
E-Mail info@sick.it

Japan

Phone +81 (0)3 3358 1341
E-Mail support@sick.jp

Magyarország

Phone +36 1 371 2680
E-Mail office@sick.hu

Nederlands

Phone +31 (0)30 229 25 44
E-Mail info@sick.nl

Norge

Phone +47 67 81 50 00
E-Mail austefjord@sick.no

Österreich

Phone +43 (0)22 36 62 28 8-0
E-Mail office@sick.at

Polska

Phone +48 22 837 40 50
E-Mail info@sick.pl

România

Phone +40 356 171 120
E-Mail office@sick.ro

Russia

Phone +7-495-775-05-30
E-Mail info@sick.ru

Schweiz

Phone +41 41 619 29 39
E-Mail contact@sick.ch

Singapore

Phone +65 6744 3732
E-Mail admin@sicksgp.com.sg

Slovenija

Phone +386 (0)1-47 69 990
E-Mail office@sick.si

South Africa

Phone +27 11 472 3733
E-Mail info@sickautomation.co.za

South Korea

Phone +82 2 786 6321/4
E-Mail info@sickkorea.net

Suomi

Phone +358-9-25 15 800
E-Mail sick@sick.fi

Sverige

Phone +46 10 110 10 00
E-Mail info@sick.se

Taiwan

Phone +886-2-2375-6288
E-Mail sales@sick.com.tw

Türkiye

Phone +90 (216) 528 50 00
E-Mail info@sick.com.tr

United Arab Emirates

Phone +971 (0) 4 8865 878
E-Mail info@sick.ae

USA/México

Phone +1(952) 941-6780
1 800-325-7425 – tollfree
E-Mail info@sickusa.com

More representatives and agencies
at www.sick.com