



Contrast sensors
KT5, KT5-2 Teach-in

KT5W-2P1156S41



Model Name > [KT5W-2P1156S41](#)
Part No. > [1053258](#)



At a glance

- Tough, metal housing
- Teach-in of switching threshold via control panel or control cable
- Maximum detection reliability due to 3-color RGB LED technology
- Switching frequency of 10 kHz
- Analog output 0 V ... 5 V
- Transmission color adjustable
- M12 plug can be rotated 90°

Your benefits

- All print marks and color combinations are reliably detected, ensuring high machine throughput
- Reliable operation, even with jittering webs and high-gloss materials
- High positioning accuracy improves packaging quality
- Flexible start up: light source can be adjusted via external teach or manually
- Contrast mark or background receiving signal is displayed via the analog output



Features

Dimensions (L x W x H):	80 mm x 30.4 mm x 53 mm
Sensing distance ¹⁾ :	10 mm
Sensing distance tolerance:	± 3 mm
Light source ²⁾ , ³⁾ :	LED red, green, blue
Light emission:	Long and short side of housing, exchangeable
Light spot size:	1.2 mm x 4.2 mm
Light spot direction ⁴⁾ :	Vertical
Adjustment:	Static 2-point teach-in

¹⁾ From front edge of lens ²⁾ Average service life of 100,000 h at T_A = +25 °C ³⁾ Wave length: 470 nm, 525 nm, 640 nm ⁴⁾ In relation to long side of housing

Mechanics/electronics

Supply voltage V _s ¹⁾ :	DC 24 V, ± 20 %
Ripple ²⁾ :	≤ 5 Vpp
Power consumption ³⁾ :	< 80 mA
Switching frequency Q:	10 kHz
	4)
Response time Q:	50 μs ⁵⁾
Output type:	PNP: HIGH = V _S - ≤ 2 V / LOW approx. 0 V

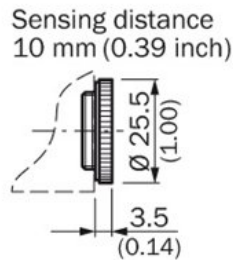
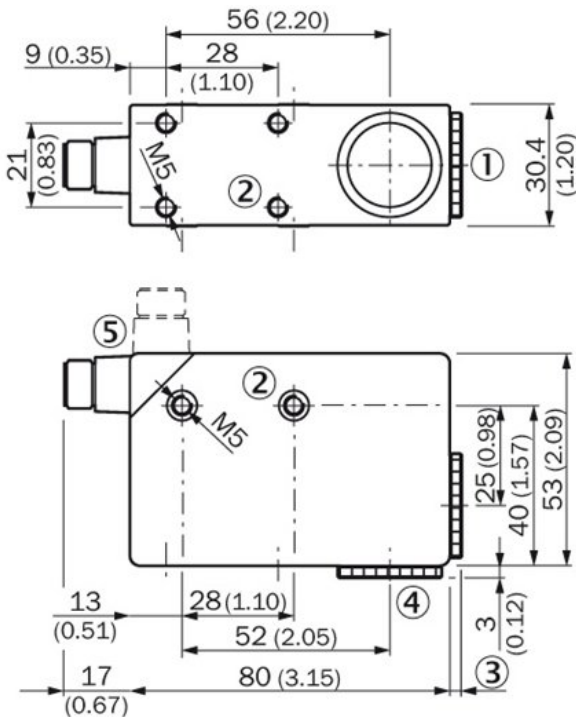
Switching mode:	PNP
Analog output QA:	0 V ... 5 V
Input, teach-in (ET):	PNP:; Run: $U < 2\text{ V}$, Teach: $U = 10\text{ V} \dots < U_V$
Retention time (ET):	25 ms, non-volatile memory
Protection class ⁶⁾ :	II
Circuit protection:	Output Q short-circuit protected, Interference suppression, VS connections reverse-polarity protected
Enclosure rating:	IP 67
Weight:	Ca. 400 g
Housing material:	Zinc diecast
Output current I _{max.} :	100 mA

1) Limit values: operation in short-circuit protected network max. 8 A 2) May not exceed or fall short of V_S tolerances 3) Without load 4) With light/dark ratio 1:1 5) Signal transit time with resistive load ⁶⁾ Reference voltage DC 32 V

Ambient data

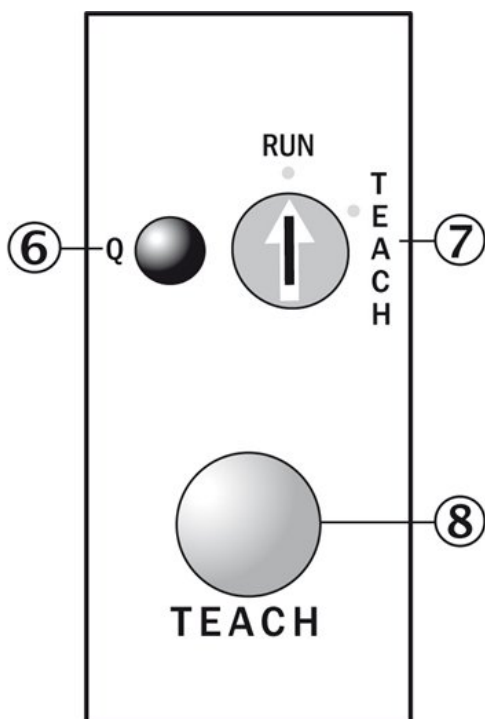
Ambient temperature:	Operation: -10 ... 55 °C, Storage: -25 ... 75 °C
Shock load:	According to IEC 60068

Dimensional drawing



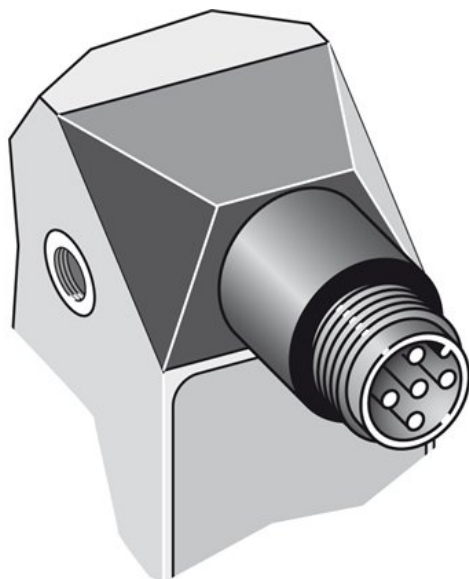
- [1] Lens (light transmission), can be exchanged for pos. 4
- [2] M5 threaded mounting hole, 5.5 mm deep
- [3] See dimensional drawing for lens
- [4] Blind screw can be replaced by pos. 1
- [5] Connector M12 (rotatable up to 90°)

Adjustments

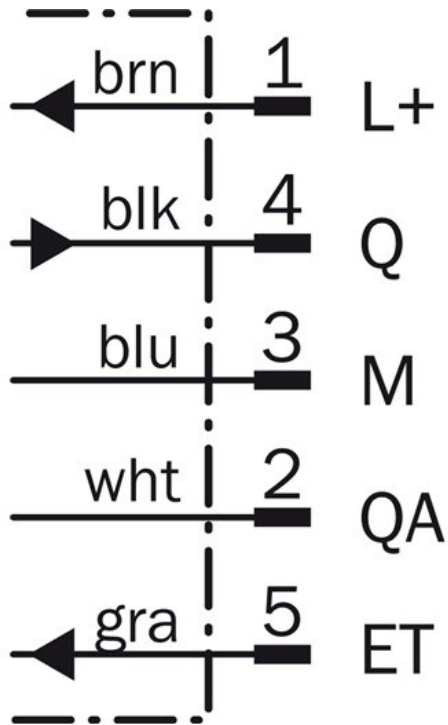


- |6| Function signal indicator (yellow)
- |7| Pre-selection switch
- |8| Teach-in button

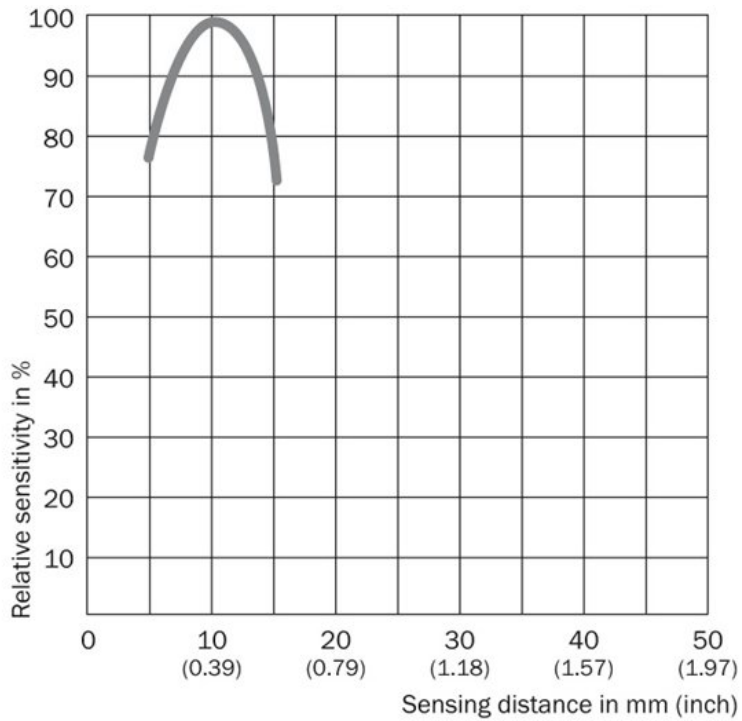
Connection type



Connection diagram



Characteristic curve



Australia

Phone +61 3 9457 0600
1800 334 802 – tollfree
E-Mail sales@sick.com.au

Belgium/Luxembourg

Phone +32 (0)2 466 55 66
E-Mail info@sick.be

Brasil

Phone +55 11 3215-4900
E-Mail sac@sick.com.br

Canada

Phone +1 905 771 14 44
E-Mail information@sick.com

Ceská Republika

Phone +420 2 57 91 18 50
E-Mail sick@sick.cz

China

Phone +86 4000 121 000
E-Mail info.china@sick.net.cn
Phone +852-2153 6300
E-Mail ghk@sick.com.hk

Danmark

Phone +45 45 82 64 00
E-Mail sick@sick.dk

Deutschland

Phone +49 211 5301-301
E-Mail kundenservice@sick.de

España

Phone +34 93 480 31 00
E-Mail info@sick.es

France

Phone +33 1 64 62 35 00
E-Mail info@sick.fr

Great Britain

Phone +44 (0)1727 831121
E-Mail info@sick.co.uk

India

Phone +91-22-4033 8333
E-Mail info@sick-india.com

Israel

Phone +972-4-6801000
E-Mail info@sick-sensors.com

Italia

Phone +39 02 27 43 41
E-Mail info@sick.it

Japan

Phone +81 (0)3 3358 1341
E-Mail support@sick.jp

Magyarország

Phone +36 1 371 2680
E-Mail office@sick.hu

Nederlands

Phone +31 (0)30 229 25 44
E-Mail info@sick.nl

Norge

Phone +47 67 81 50 00
E-Mail austefjord@sick.no

Österreich

Phone +43 (0)22 36 62 28 8-0
E-Mail office@sick.at

Polska

Phone +48 22 837 40 50
E-Mail info@sick.pl

România

Phone +40 356 171 120
E-Mail office@sick.ro

Russia

Phone +7-495-775-05-30
E-Mail info@sick.ru

Schweiz

Phone +41 41 619 29 39
E-Mail contact@sick.ch

Singapore

Phone +65 6744 3732
E-Mail admin@sicksgp.com.sg

Slovenija

Phone +386 (0)1-47 69 990
E-Mail office@sick.si

South Africa

Phone +27 11 472 3733
E-Mail info@sickautomation.co.za

South Korea

Phone +82 2 786 6321/4
E-Mail info@sickkorea.net

Suomi

Phone +358-9-25 15 800
E-Mail sick@sick.fi

Sverige

Phone +46 10 110 10 00
E-Mail info@sick.se

Taiwan

Phone +886-2-2375-6288
E-Mail sales@sick.com.tw

Türkiye

Phone +90 (216) 528 50 00
E-Mail info@sick.com.tr

United Arab Emirates

Phone +971 (0) 4 8865 878
E-Mail info@sick.ae

USA/México

Phone +1(952) 941-6780
1 800-325-7425 – tollfree
E-Mail info@sickusa.com

More representatives and agencies
at www.sick.com