



Magnetic Cylinder Sensors Sensors for C-slot cylinders

RZN1-05ZRS-KRD



Model Name > [RZN1-05ZRS-KRD](#)
Part No. > [1022939](#)



At a glance

- Used for all commonly used cylinders with C-slots, such as FESTO or SMC
- Compact housing design
- IP 67 enclosure rating
- LED status indicator

Your benefits

- Suitable for all common C-slots (SMC, Festo, etc.), ensuring easy integration and reducing inventory costs
- Easy drop-in mounting simplifies setup and saves installation time
- High resistance to shock and vibration reduces sensor failure and maintenance costs
- Fully encapsulated housing resists fluids and leaks, increasing sensor life

The product has been discontinued. Please contact your SICK sales representative for more information about a replacement product.



Features

Output type:	Reed
Output function:	NO
Electrical wiring:	AC/DC 3-wire
Enclosure rating:	IP 67 ¹⁾
Sensing face:	Center
Cylinder types with adapter:	Profile cylinder Roundbody cylinder Dove-tail groove cylinder SMC rail cylinder CDQ2 (T-Slot) SMC rail cylinder ECDQ2 (T-Slot) Tie rod cylinder
Housing length:	25 mm
Switching frequency typ.:	500 Hz
Cylinder type:	C-slot

¹⁾ According to EN40050

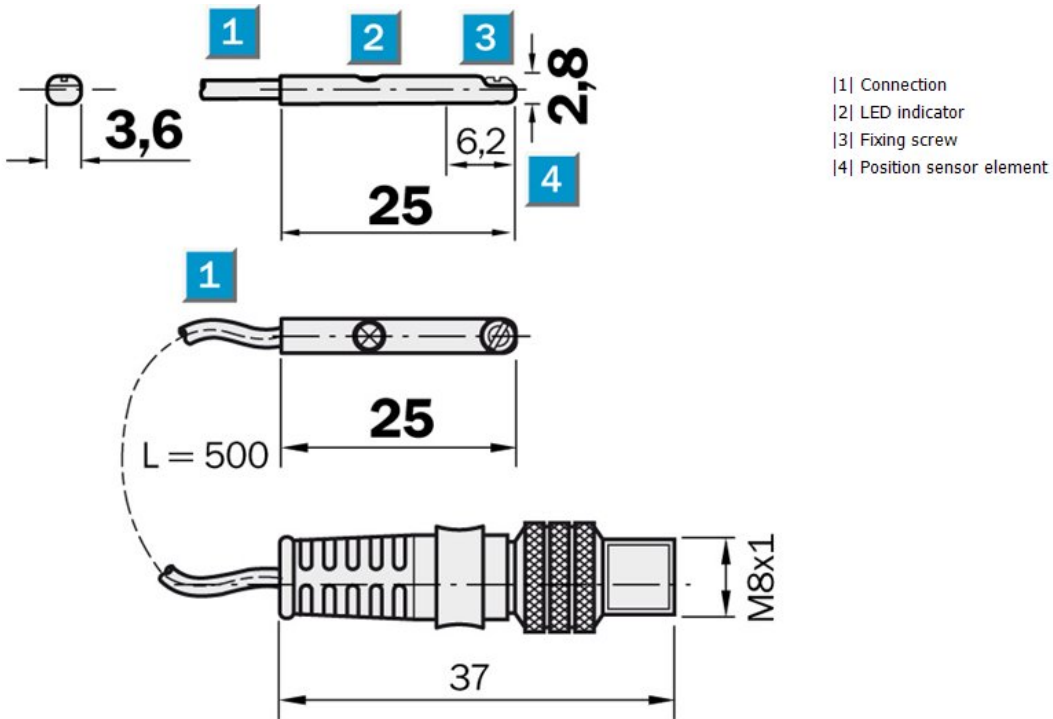
Mechanics/electronics

Connection type: Cable with connector M8, 3-pin, with knurled nuts, 0.5 m

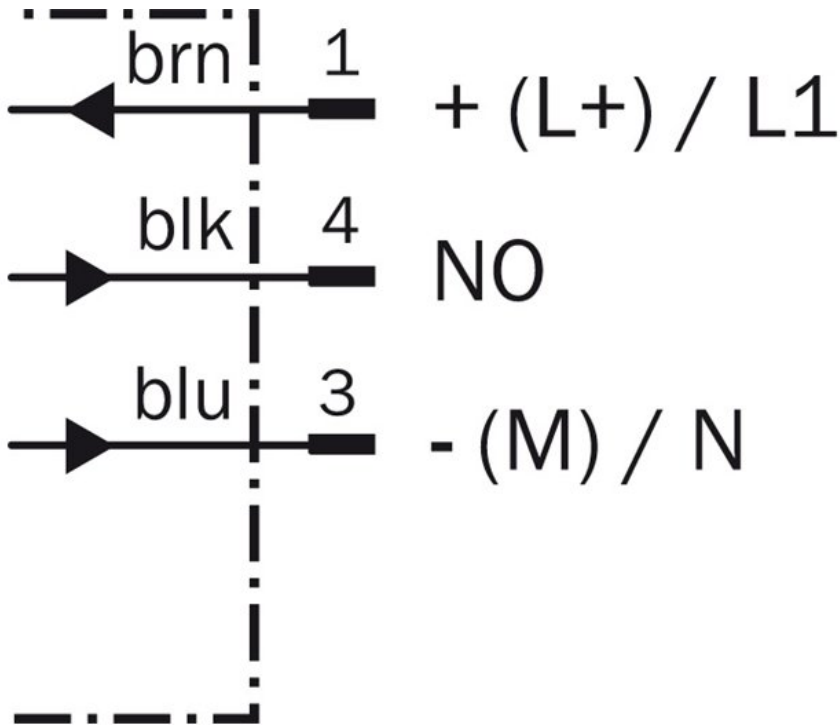
Supply voltage:	10 V AC/DC ... 30 V AC/DC
Output current I _a :	≤ 500 mA (DC) ≤ 300 mA (AC)
Hysteresis:	≤ 0.7 mT
Repeatability:	≤ 0.1 mm ¹⁾
EMC:	According to EN 60947-5-2
Cable material:	PUR
Housing material:	Plastic
Housing cap material:	PA12
Sensing face material:	Plastic
Ambient operating temperature:	-25 °C ... 75 °C
Shock/vibration:	30 g, 11 ms/10 ... 55 Hz, 1 mm
Switching power:	10 W

¹⁾ U_b and T_a constant

Dimensional drawing



Connection diagram



Connection type



Australia

Phone +61 3 9457 0600
1800 334 802 – tollfree
E-Mail sales@sick.com.au

Belgium/Luxembourg

Phone +32 (0)2 466 55 66
E-Mail info@sick.be

Brasil

Phone +55 11 3215-4900
E-Mail sac@sick.com.br

Canada

Phone +1 905 771 14 44
E-Mail information@sick.com

Ceská Republika

Phone +420 2 57 91 18 50
E-Mail sick@sick.cz

China

Phone +86 4000 121 000
E-Mail info.china@sick.net.cn
Phone +852-2153 6300
E-Mail ghk@sick.com.hk

Danmark

Phone +45 45 82 64 00
E-Mail sick@sick.dk

Deutschland

Phone +49 211 5301-301
E-Mail kundenservice@sick.de

España

Phone +34 93 480 31 00
E-Mail info@sick.es

France

Phone +33 1 64 62 35 00
E-Mail info@sick.fr

Great Britain

Phone +44 (0)1727 831121
E-Mail info@sick.co.uk

India

Phone +91-22-4033 8333
E-Mail info@sick-india.com

Israel

Phone +972-4-6801000
E-Mail info@sick-sensors.com

Italia

Phone +39 02 27 43 41
E-Mail info@sick.it

Japan

Phone +81 (0)3 3358 1341
E-Mail support@sick.jp

Magyarország

Phone +36 1 371 2680
E-Mail office@sick.hu

Nederlands

Phone +31 (0)30 229 25 44
E-Mail info@sick.nl

Norge

Phone +47 67 81 50 00
E-Mail austefjord@sick.no

Österreich

Phone +43 (0)22 36 62 28 8-0
E-Mail office@sick.at

Polska

Phone +48 22 837 40 50
E-Mail info@sick.pl

România

Phone +40 356 171 120
E-Mail office@sick.ro

Russia

Phone +7-495-775-05-30
E-Mail info@sick.ru

Schweiz

Phone +41 41 619 29 39
E-Mail contact@sick.ch

Singapore

Phone +65 6744 3732
E-Mail admin@sicksgp.com.sg

Slovenija

Phone +386 (0)1-47 69 990
E-Mail office@sick.si

South Africa

Phone +27 11 472 3733
E-Mail info@sickautomation.co.za

South Korea

Phone +82 2 786 6321/4
E-Mail info@sickkorea.net

Suomi

Phone +358-9-25 15 800
E-Mail sick@sick.fi

Sverige

Phone +46 10 110 10 00
E-Mail info@sick.se

Taiwan

Phone +886-2-2375-6288
E-Mail sales@sick.com.tw

Türkiye

Phone +90 (216) 528 50 00
E-Mail info@sick.com.tr

United Arab Emirates

Phone +971 (0) 4 8865 878
E-Mail info@sick.ae

USA/México

Phone +1(952) 941-6780
1 800-325-7425 – tollfree
E-Mail info@sickusa.com

More representatives and agencies
at www.sick.com