



## Capacitive Proximity Sensors Rectangular housing, CQ35

CQ35-25NNP-KC1



**Model Name** > [CQ35-25NNP-KC1](#)  
**Part No.** > [6021464](#)



#### At a glance

- Rectangular housing
- Operating distance up to 25 mm
- High electromagnetic immunity
- IP 67 enclosure rating
- Complementary output function
- LED status indicator
- Short-circuit reverse polarity and power-up pulse suppression protection
- PNP or NPN output versions are available

#### Your benefits

- Durable housing withstands harsh industrial applications, reducing maintenance costs and downtime
- Quick and easy adjustment of the switching point saves installation and setup time
- Application flexibility - solves applications where other sensing technologies cannot provide a solution
- High shock and vibration resistance increases sensor life and reduces maintenance costs
- Non-contact level measurement, even through container or tank walls, which eliminates drilling holes and thus reduces installation time



#### Features

Housing:	Rectangular
Dimensions (W x H x D):	35 mm x 15 mm x 69.5 mm
Sensing range Sn:	25 mm
Assured sensing range Sa:	18 mm
Installation type:	Non-flush
Sensitivity adjustment:	Potentiometer, 270°
Switching frequency:	50 Hz
Output type:	NPN
Output function:	Complementary
Electrical wiring:	DC 4-wire
Enclosure rating:	IP 67 <sup>1)</sup>
Connection type:	Connector M12, 4-pin

<sup>1)</sup> According to EN 60529

## Mechanics/electronics

---

Supply voltage:	10 V DC ... 40 V DC
Ripple:	$\leq 10\%$ <sup>1)</sup>
Voltage drop:	$\leq 2.5\text{ V DC}$ <sup>2)</sup>
Power consumption:	$\leq 10\text{ mA}$ <sup>3)</sup>
Time delay before availability:	$\leq 100\text{ ms}$
Hysteresis:	4 % ... 20 %
Repeatability:	$\leq 5\%$ <sup>4) 5)</sup>
Temperature drift (% of Sr):	$\pm 10\%$
EMC:	According to EN 60947-5-2 <sup>6)</sup>
Output current I <sub>a</sub> :	$\leq 200\text{ mA}$
Short-circuit protection:	✓
Reverse polarity protection:	✓
Power-up pulse protection:	✓
Shock/vibration:	30 g, 11 ms/10 ... 55 Hz, 1 mm
Ambient operating temperature:	-25 °C ... 75 °C
Housing material:	Plastic
Housing cap material:	PC
Sensing face material:	Plastic

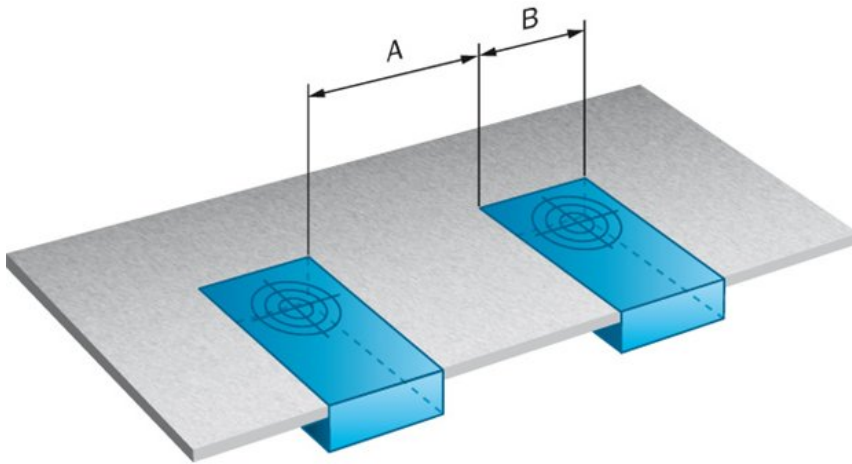
<sup>1)</sup> Of U<sub>b</sub> <sup>2)</sup> At I<sub>a</sub> max <sup>3)</sup> Without load <sup>4)</sup> Of Sr <sup>5)</sup> U<sub>b</sub> and T<sub>a</sub> constant <sup>6)</sup> In EMC critical applications, conducted interference levels may lie in the frequency range of the oscillator. This can cause changes to the output signal.(see operating instructions)

## Reduction factors

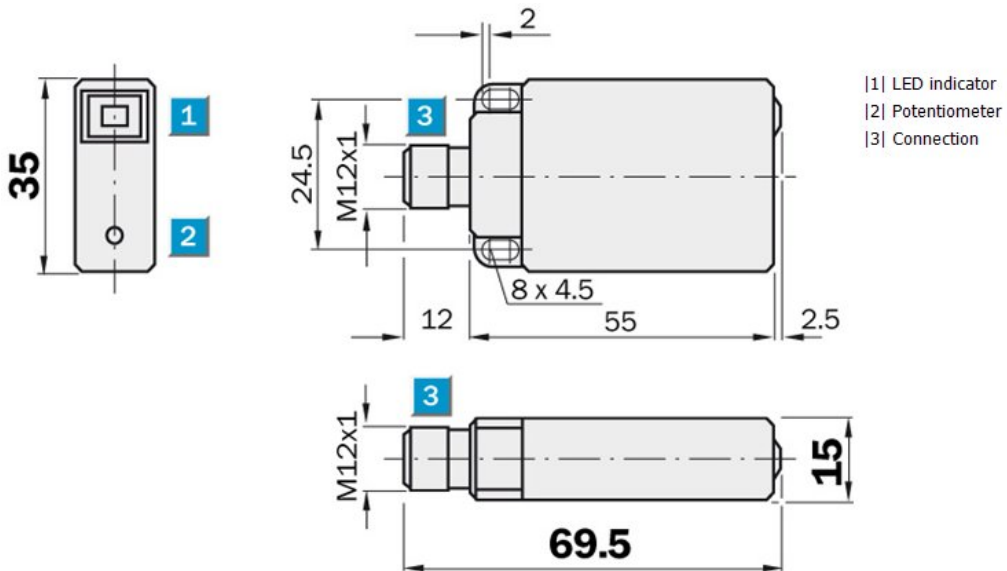
---

Note:	The values are reference values which may vary
Metal:	1
Water:	1
PVC:	Ca. 0.4
Oil:	Ca. 0.25

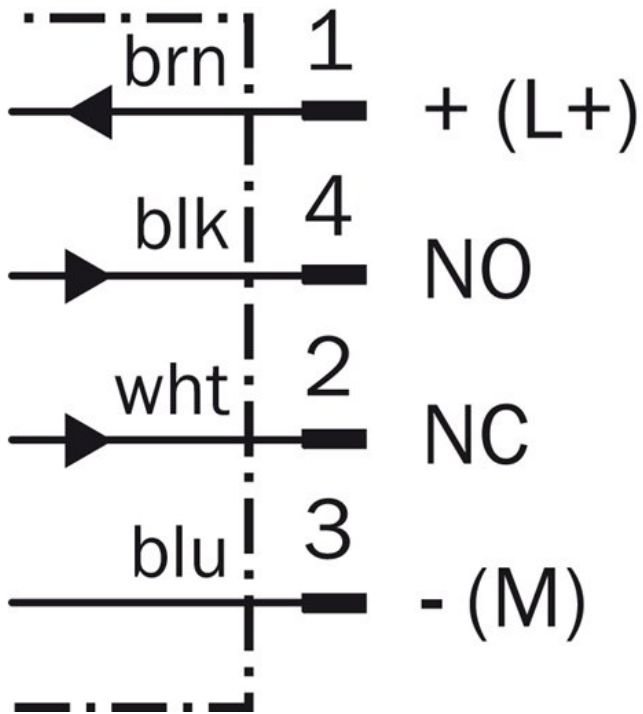
## Installation note



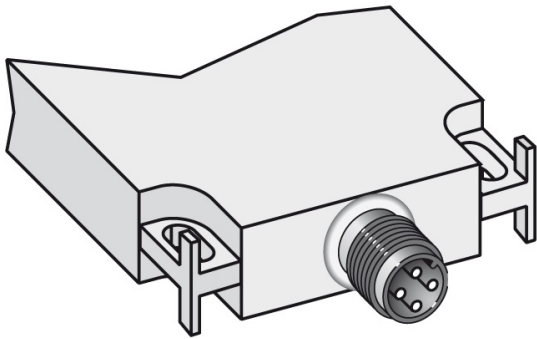
## Dimensional drawing



Connection diagram



Connection type



**Australia**

Phone +61 3 9457 0600  
1800 334 802 – tollfree  
E-Mail sales@sick.com.au

**Belgium/Luxembourg**

Phone +32 (0)2 466 55 66  
E-Mail info@sick.be

**Brasil**

Phone +55 11 3215-4900  
E-Mail sac@sick.com.br

**Canada**

Phone +1 905 771 14 44  
E-Mail information@sick.com

**Ceská Republika**

Phone +420 2 57 91 18 50  
E-Mail sick@sick.cz

**China**

Phone +86 4000 121 000  
E-Mail info.china@sick.net.cn  
Phone +852-2153 6300  
E-Mail ghk@sick.com.hk

**Danmark**

Phone +45 45 82 64 00  
E-Mail sick@sick.dk

**Deutschland**

Phone +49 211 5301-301  
E-Mail kundenservice@sick.de

**España**

Phone +34 93 480 31 00  
E-Mail info@sick.es

**France**

Phone +33 1 64 62 35 00  
E-Mail info@sick.fr

**Great Britain**

Phone +44 (0)1727 831121  
E-Mail info@sick.co.uk

**India**

Phone +91-22-4033 8333  
E-Mail info@sick-india.com

**Israel**

Phone +972-4-6801000  
E-Mail info@sick-sensors.com

**Italia**

Phone +39 02 27 43 41  
E-Mail info@sick.it

**Japan**

Phone +81 (0)3 3358 1341  
E-Mail support@sick.jp

**Magyarország**

Phone +36 1 371 2680  
E-Mail office@sick.hu

**Nederlands**

Phone +31 (0)30 229 25 44  
E-Mail info@sick.nl

**Norge**

Phone +47 67 81 50 00  
E-Mail austefjord@sick.no

**Österreich**

Phone +43 (0)22 36 62 28 8-0  
E-Mail office@sick.at

**Polska**

Phone +48 22 837 40 50  
E-Mail info@sick.pl

**România**

Phone +40 356 171 120  
E-Mail office@sick.ro

**Russia**

Phone +7-495-775-05-30  
E-Mail info@sick.ru

**Schweiz**

Phone +41 41 619 29 39  
E-Mail contact@sick.ch

**Singapore**

Phone +65 6744 3732  
E-Mail admin@sicksgp.com.sg

**Slovenija**

Phone +386 (0)1-47 69 990  
E-Mail office@sick.si

**South Africa**

Phone +27 11 472 3733  
E-Mail info@sickautomation.co.za

**South Korea**

Phone +82 2 786 6321/4  
E-Mail info@sickkorea.net

**Suomi**

Phone +358-9-25 15 800  
E-Mail sick@sick.fi

**Sverige**

Phone +46 10 110 10 00  
E-Mail info@sick.se

**Taiwan**

Phone +886-2-2375-6288  
E-Mail sales@sick.com.tw

**Türkiye**

Phone +90 (216) 528 50 00  
E-Mail info@sick.com.tr

**United Arab Emirates**

Phone +971 (0) 4 8865 878  
E-Mail info@sick.ae

**USA/México**

Phone +1(952) 941-6780  
1 800-325-7425 – tollfree  
E-Mail info@sickusa.com

More representatives and agencies  
at [www.sick.com](http://www.sick.com)