



Photoelectric sensors
Photoelectric retro-reflective sensor, Product
group W160

WL160-E142



Model Name > [WL160-E142](#)
Part No. > [6022761](#)



- Vertical models
- Polarization filter, consequently reliable detection of objects with shiny surfaces
- Red light as alignment aid
- Sensitivity adjustable
- LED indicator: operating reserve



Product features

Sensing range min ... max:	0.01 m ... 4.5 m, 0.01 m ... 6.5 m
Light source:	LED
Type of light:	Red light
Light spot diameter:	Approx. 300 mm at 3 m distance
Laser:	Red light
Sensing range max.:	0.01 m ... 4.5 m, 0.01 m ... 6.5 m
Relating to:	Reflector PL80A
Sensitivity adjustment:	Potentiometer, 2 rotations
Wave length:	680 nm

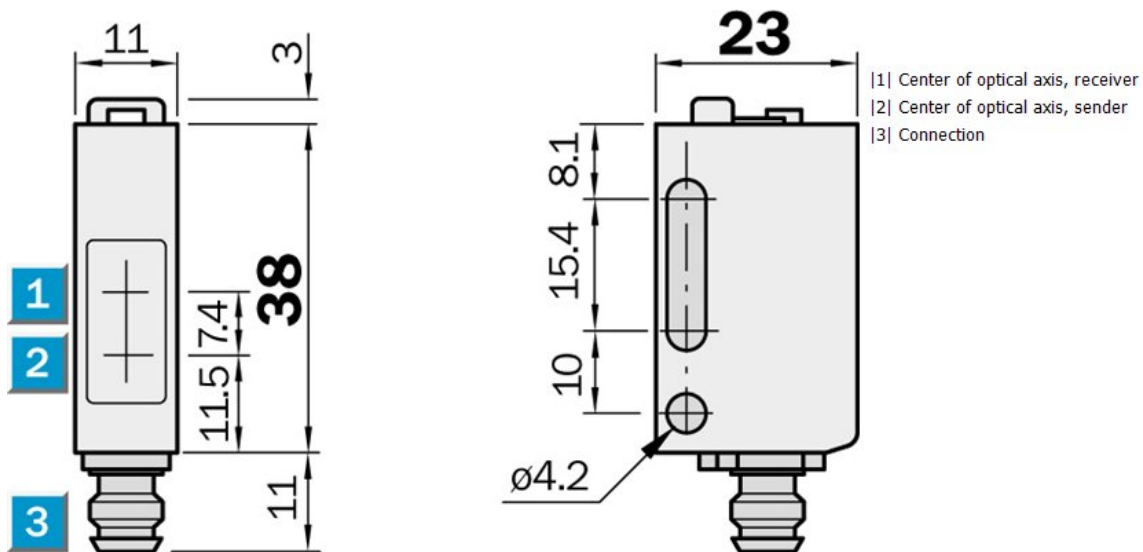
Technical data

Design:	Rectangular
Dimensions (W x H x D):	11 mm x 38 mm x 23 mm
Supply voltage min ... max:	DC 10 ... 30 V ¹⁾
Ripple:	± 10 %
Power consumption:	≤ 25 mA
Switching output:	NPN: open collector: Q
Switching mode:	Light/dark switching via rotary switch
Signal voltage NPN HIGH/LOW:	Approx. $V_S / <$ 1.8 V
Output current max.:	100 mA
Response time:	≤ 0.5 ms
Switching frequency:	1,000 Hz
Connection type:	Cable, 2 m
Number of cores:	3
Conductor size:	0.2 mm ²
Circuit protection:	V_S connections reverse-polarity protected/In-outputs short-circuit protected/Interference suppression/Outputs overcurrent and short-circuit protected
Enclosure rating:	IP 67: EN 60529, IP 69K: EN 40050

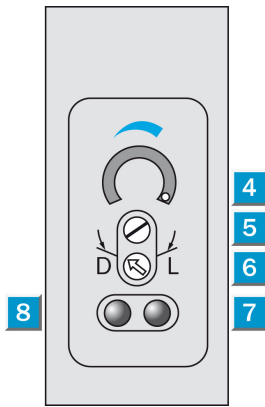
Ambient operation temperature, min ... max:	-25 °C ... +55 °C
Ambient storage temperature, min ... max:	-40 °C ... +70 °C
Weight:	Ca. 60 g
Housing material:	PBT
Cable material:	PVC
Angle of dispersion:	Ca. 5.8 °
Series:	W160
Optics material:	PMMA
Cable diameter:	Ø 4.2 mm
Housing design:	Vertical

1) Limit values, reverse-polarity protected operation in short-circuit protected network max. 8 A

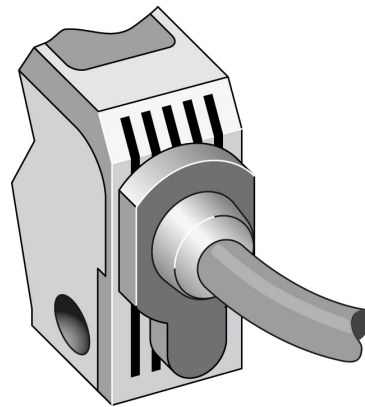
Dimensional drawing



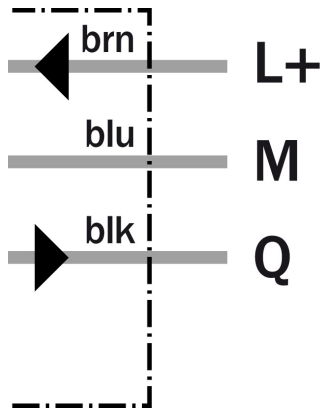
Adjustment possible



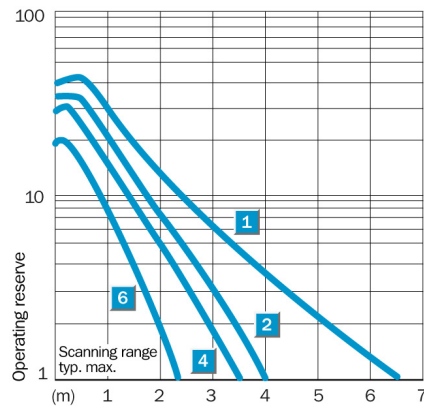
Connection type



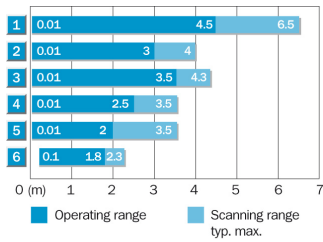
Connection diagram



Characteristic curve



Sensing range diagram



Reflector type	Operating range
1 PL80A	0.01 ... 4.5 m
2 P250	0.01 ... 3 m
3 PL50A/PL40A	0.01 ... 3.5 m
4 PL30A/PL31A	0.01 ... 2.5 m
5 PL20A	0.01 ... 2 m
6 Reflective tape Diamond Grade	0.1 ... 1.8 m (100 x 100 mm ²)

Australia

Phone +61 3 9457 0600
1800 33 48 02 – tollfree
E-Mail sales@sick.com.au

Belgium/Luxembourg

Phone +32 (0)2 466 55 66
E-Mail info@sick.be

Brasil

Phone +55 11 3215-4900
E-Mail marketing@sick.com.br

Canada

Phone +1 905 771 14 44
E-Mail information@sick.com

Česká republika

Phone +420 2 57 91 18 50
E-Mail sick@sick.cz

China

Phone +86 4000 121 000
E-Mail info.china@sick.net.cn
Phone +852-2153 6300
E-Mail ghk@sick.com.hk

Danmark

Phone +45 45 82 64 00
E-Mail sick@sick.dk

Deutschland

Phone +49 211 5301-301
E-Mail info@sick.de

España

Phone +34 93 480 31 00
E-Mail info@sick.es

France

Phone +33 1 64 62 35 00
E-Mail info@sick.fr

Great Britain

Phone +44 (0)1727 831121
E-Mail info@sick.co.uk

India

Phone +91-22-4033 8333
E-Mail info@sick-india.com

Israel

Phone +972-4-6881000
E-Mail info@sick-sensors.com

Italia

Phone +39 02 27 43 41
E-Mail info@sick.it

Japan

Phone +81 (0)3 5309 2112
E-Mail support@sick.jp

Magyarország

Phone +36 1 371 2680
E-Mail office@sick.hu

Nederland

Phone +31 (0)30 229 25 44
E-Mail info@sick.nl

Norge

Phone +47 67 81 50 00
E-Mail sick@sick.no

Österreich

Phone +43 (0)22 36 62 28 8-0
E-Mail office@sick.at

Polska

Phone +48 22 837 40 50
E-Mail info@sick.pl

România

Phone +40 356 171 120
E-Mail office@sick.ro

Russia

Phone +7-495-775-05-30
E-Mail info@sick.ru

Schweiz

Phone +41 41 619 29 39
E-Mail contact@sick.ch

Singapore

Phone +65 6744 3732
E-Mail sales.gsg@sick.com

Slovenija

Phone +386 (0)1-47 69 990
E-Mail office@sick.si

South Africa

Phone +27 11 472 3733
E-Mail info@sickautomation.co.za

South Korea

Phone +82 2 786 6321/4
E-Mail info@sickkorea.net

Suomi

Phone +358-9-25 15 800
E-Mail sick@sick.fi

Sverige

Phone +46 10 110 10 00
E-Mail info@sick.se

Taiwan

Phone +886 2 2375-6288
E-Mail sales@sick.com.tw

Türkiye

Phone +90 (216) 528 50 00
E-Mail info@sick.com.tr

United Arab Emirates

Phone +971 (0) 4 88 65 878
E-Mail info@sick.ae

USA/México

Phone +1(952) 941-6780
1 (800) 325-7425 – tollfree
E-Mail info@sickusa.com

More representatives and agencies
at www.sick.com