



Photoelectric sensors
W280, Through-beam photoelectric sensor

WS/WE280-S230



Model Name > [WS/WE280-S230](#)
Part No. > [6027488](#)



Illustration may differ

At a glance

- Visible red light
- Large sensing range and high operating reserve
- Light/dark switching (DC devices only)
- Rotatable connector, cable connection or terminal chamber
- Versions for 10 - 30 V DC or 24 - 240 V DC/AC voltage supply
- Stainless steel mounting bracket (1.4301) is included in delivery
- AC/DC devices are compliant with EN61000-6-3 (electromagnetic interference for "residential, commercial and light-industrial environments")
- UL recognized

Your benefits

- Less contamination due to high operating reserves, reducing downtime
- DC and AC/DC devices available in the same housing allow electrical flexibility
- Light/dark switching provides application flexibility and reduces the number of devices needed
- All necessary mounting and operating accessories are included in delivery, enabling quick and easy setup: since mounting bracket (stainless steel 1.4301) is included in delivery scope

Note: This part is discontinued. Please see the replacement product under "Replacement Products" link. "



Features

Sensor/detection principle:	Through-beam photoelectric sensor
Dimensions (W x H x D):	23.5 mm x 74.5 mm x 63 mm
Housing design (light emission):	Rectangular
Sensing range max.:	0 m ... 45 m
Sensing range:	0 m ... 40 m
Type of light:	Visible red light
Light source:	LED ¹⁾
Angle of dispersion:	1.4 °
Adjustment:	Sensitivity adjustment
Light spot size (distance):	40 m

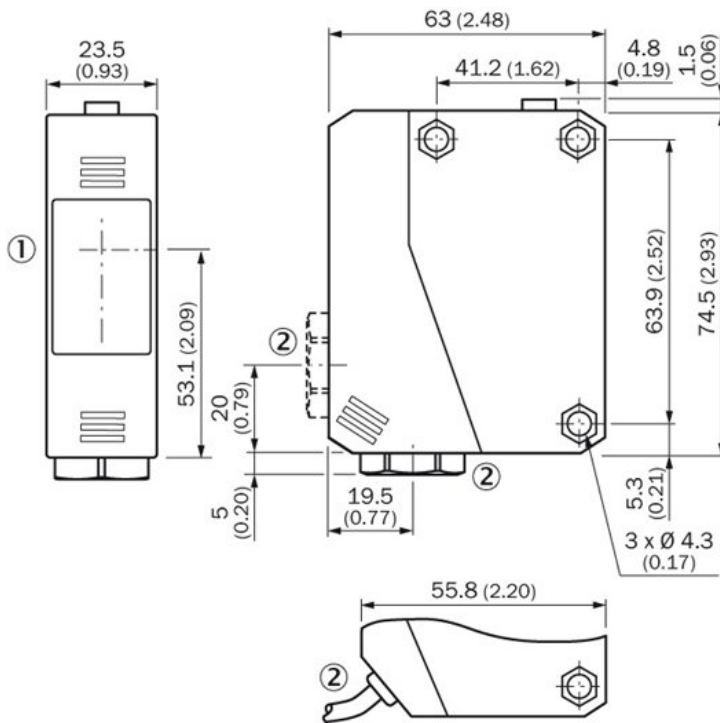
¹⁾ Average service life of 100,000 h at T_A = +25 °C

Mechanics/electronics

Supply voltage::	24 V AC ... 240 V AC, 24 V DC ... 240 V DC ^{1) 2)}
Power consumption, sender:	≤ 3.5 VA
Power consumption, receiver:	≤ 3.5 VA
Output type:	Relay ³⁾
Output function:	Change-over contacts
Switching mode:	Light switching ⁴⁾
Output characteristic:	Electrically isolated
Switching current (switching voltage):	3 A (240 V AC), 3 A (30 V DC)
Response time:	≤ 20 ms
Switching frequency:	25 Hz ⁵⁾
Angle of reception:	6 °
Connection type:	Cable gland
Circuit protection::	A, C ^{6) 7)}
Protection class:	II ⁸⁾
Weight:	300 g
Housing material:	ABS, Plastic
Optics material:	PMMA
Enclosure rating:	IP 66
Items supplied:	Mounting bracket BEF-W280
Usage category:	AC-15, DC-13, According to EN 60947-1
Ambient operating temperature:	-25 °C ... 55 °C
Ambient storage temperature:	-40 °C ... 70 °C

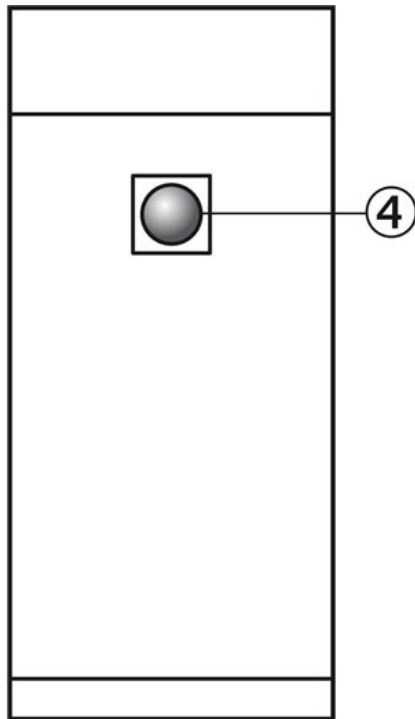
^{1) 2)} ±10 % ^{3) 4)} Provide suitable spark suppression for inductive or capacitive loads ⁵⁾ With light/dark ratio 1:1 ⁶⁾ A = V_S connections reverse-polarity protected ⁷⁾ C = interference suppression ⁸⁾ Rated voltage 250 V AC/DC

Dimensional drawing



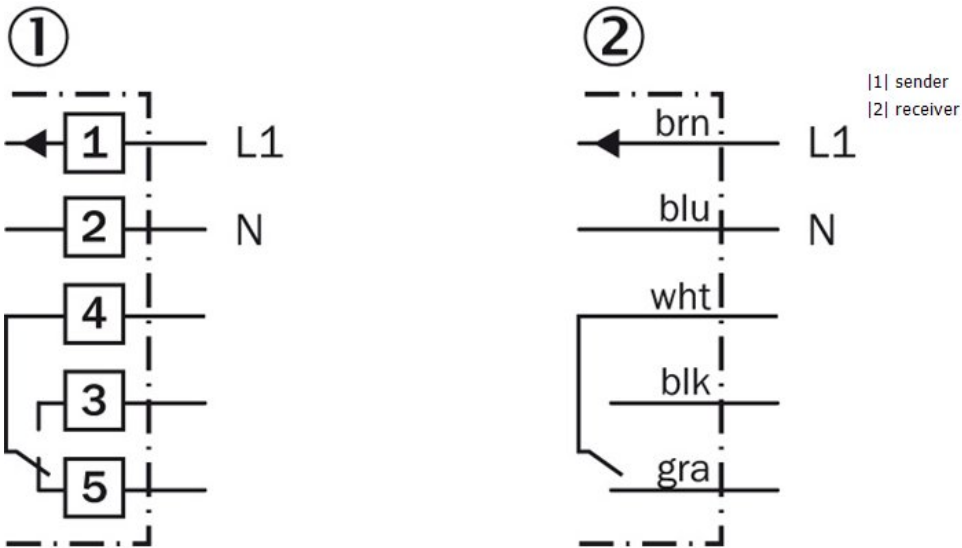
- [1] Optical axis, sender and receiver
- [2] Cable entry gland 1/2" PF for cable diameter 6 to 10 mm or 5-core cable Ø 6.3 mm

Adjustments possible

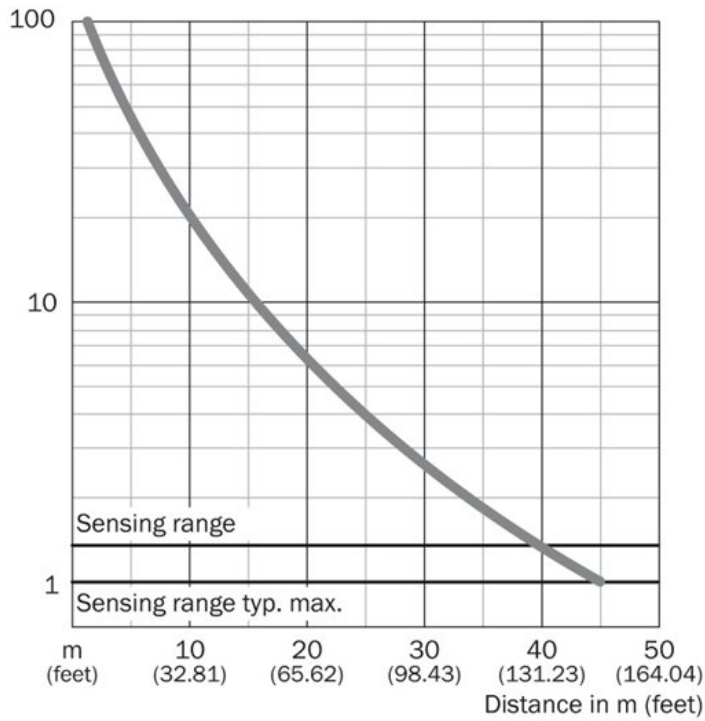


- [4] Receive indicator

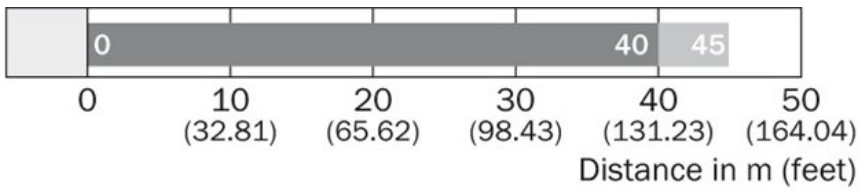
Connection diagram



Characteristic curve

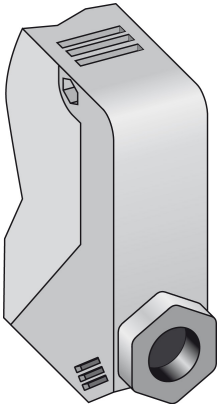


Sensing range diagram



■ Sensing range ■ Sensing range typ. max.

Connection type



Australia

Phone +61 3 9457 0600
1800 334 802 – tollfree
E-Mail sales@sick.com.au

Belgium/Luxembourg

Phone +32 (0)2 466 55 66
E-Mail info@sick.be

Brasil

Phone +55 11 3215-4900
E-Mail sac@sick.com.br

Canada

Phone +1 905 771 14 44
E-Mail information@sick.com

Ceská Republika

Phone +420 2 57 91 18 50
E-Mail sick@sick.cz

China

Phone +86 4000 121 000
E-Mail info.china@sick.net.cn
Phone +852-2153 6300
E-Mail ghk@sick.com.hk

Danmark

Phone +45 45 82 64 00
E-Mail sick@sick.dk

Deutschland

Phone +49 211 5301-301
E-Mail kundenservice@sick.de

España

Phone +34 93 480 31 00
E-Mail info@sick.es

France

Phone +33 1 64 62 35 00
E-Mail info@sick.fr

Great Britain

Phone +44 (0)1727 831121
E-Mail info@sick.co.uk

India

Phone +91-22-4033 8333
E-Mail info@sick-india.com

Israel

Phone +972-4-6801000
E-Mail info@sick-sensors.com

Italia

Phone +39 02 27 43 41
E-Mail info@sick.it

Japan

Phone +81 (0)3 3358 1341
E-Mail support@sick.jp

Magyarország

Phone +36 1 371 2680
E-Mail office@sick.hu

Nederlands

Phone +31 (0)30 229 25 44
E-Mail info@sick.nl

Norge

Phone +47 67 81 50 00
E-Mail austefjord@sick.no

Österreich

Phone +43 (0)22 36 62 28 8-0
E-Mail office@sick.at

Polska

Phone +48 22 837 40 50
E-Mail info@sick.pl

România

Phone +40 356 171 120
E-Mail office@sick.ro

Russia

Phone +7-495-775-05-30
E-Mail info@sick.ru

Schweiz

Phone +41 41 619 29 39
E-Mail contact@sick.ch

Singapore

Phone +65 6744 3732
E-Mail admin@sicksgp.com.sg

Slovenija

Phone +386 (0)1-47 69 990
E-Mail office@sick.si

South Africa

Phone +27 11 472 3733
E-Mail info@sickautomation.co.za

South Korea

Phone +82 2 786 6321/4
E-Mail info@sickkorea.net

Suomi

Phone +358-9-25 15 800
E-Mail sick@sick.fi

Sverige

Phone +46 10 110 10 00
E-Mail info@sick.se

Taiwan

Phone +886-2-2375-6288
E-Mail sales@sick.com.tw

Türkiye

Phone +90 (216) 528 50 00
E-Mail info@sick.com.tr

United Arab Emirates

Phone +971 (0) 4 8865 878
E-Mail info@sick.ae

USA/México

Phone +1(952) 941-6780
1 800-325-7425 – tollfree
E-Mail info@sickusa.com

More representatives and agencies
at www.sick.com