



Photoelectric sensors  
W260, Photoelectric proximity sensor,  
Background suppression

WT260-P560



**Model Name** > WT260-P560  
**Part No.** > 1011541



**At a glance**

- Long sensing ranges
- Background suppression or energetic sensory types
- Mounting bracket included in delivery
- Selectable operation mode (light/dark)
- Optional time stages
- M12 connector or terminal chamber
- DC and universal AC/DC voltage versions

**Your benefits**

- Reliable object detection
- Reliable in difficult ambient light conditions
- Configuration controls are protected by a cover, ensuring less damage and a longer service life
- Simplified integration due to mounting compatibility since variants for DC or DC/AC voltage supply are available in the same design
- Teach button and adjustable time delay versions simplify integration of individual systems



**Features**

Sensor/detection principle:	Photoelectric proximity sensor, Background suppression
Dimensions (W x H x D):	25 mm x 77.8 mm x 63 mm
Housing design (light emission):	Rectangular
Sensing range max.:	0 mm ... 380 mm <sup>1)</sup>
Sensing range::	0 mm ... 380 mm, 75 mm ... 160 mm <sup>2) 3)</sup>
Type of light:	Infrared light
Light source:	LED <sup>4)</sup>
Light spot (distance):	17 mm (300 mm)
Adjustment of operating distance:	Potentiometer, 270°
Angle of dispersion:	1.5 °

<sup>1)</sup> Object with 90 % reflectance (referred to standard white DIN 5033) <sup>2)</sup> Sensing distance control set to MAX <sup>3)</sup> Sensing distance control set to MIN <sup>4)</sup> Average

service life 100,000 h at Ta = +25 °C

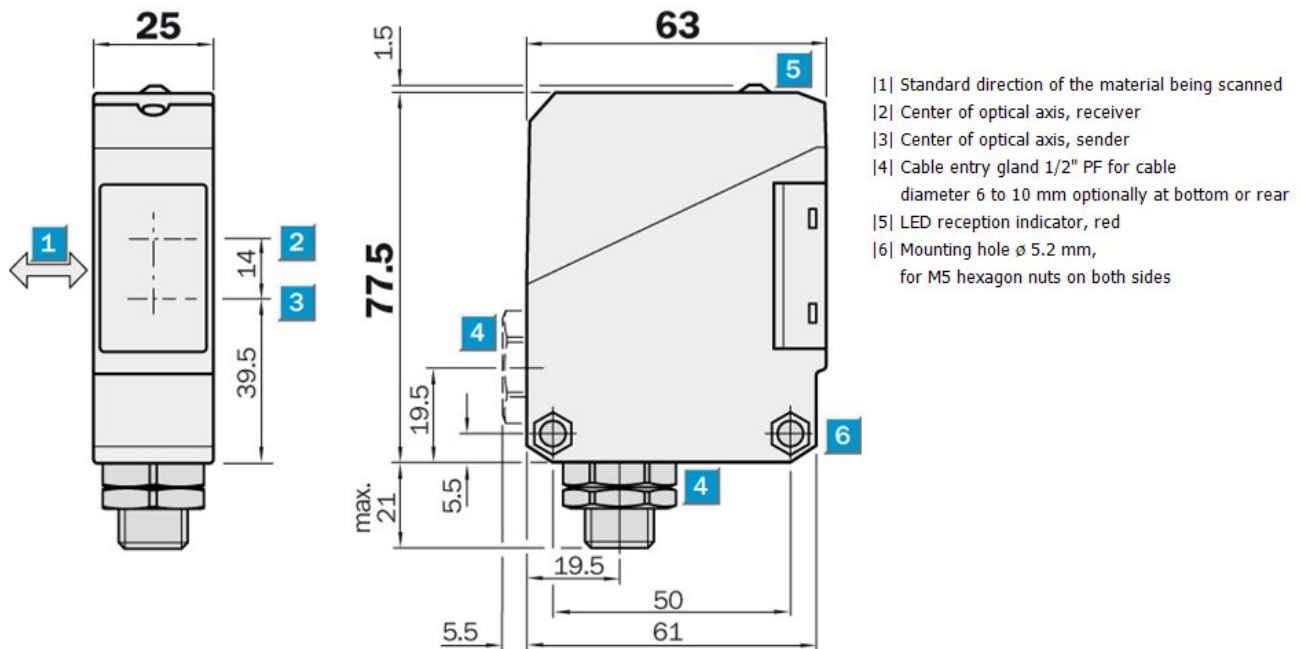
**Mechanics/electronics**

Supply voltage:	10 V DC ... 30 V DC <sup>1)</sup>
Ripple:	≤ 5 Vpp <sup>2)</sup>

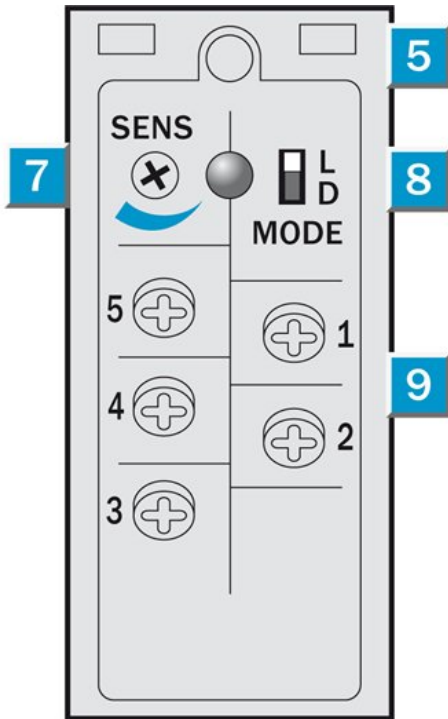
Power consumption:	$\leq 35 \text{ mA}$ <sup>3)</sup>
Output type:	PNP, Light/dark-switching, selectable via light/dark selector, open collector
Output current I <sub>max.</sub> :	100 mA
Response time:	$\leq 2 \text{ ms}$ <sup>4)</sup>
Switching frequency:	250 Hz <sup>5)</sup>
Connection type:	Connector M12, 5-pin
Circuit protection:::	A, B, C, D <sup>6) 7) 8) 9)</sup>
Protection class:	II <sup>10)</sup>
Weight:	120 g
Alarm output:	100 mA, permanently <sup>11)</sup>
Housing material:	ABS
Optics material:	PC
Enclosure rating:	IP 66
Items supplied:	Mounting bracket BEF-W260
Test input sender off:	TE to VS
Ambient operating temperature:	-25 °C ... 55 °C
Ambient storage temperature:	-40 °C ... 70 °C
UL File-No.:	UL No. NRNT2.E128350 & cUL No. NRNT8.E128350

1) Limit values, operation in short-circuit protected network max. 8 A 2) May not exceed or fall short of  $V_S$  <sup>3)</sup> Without load <sup>4)</sup> Signal transit time with resistive load <sup>5)</sup> With light/dark ratio 1:1 <sup>6)</sup> A =  $V_S$  connections reverse-polarity protected <sup>7)</sup> B = inputs and output reverse-polarity protected <sup>8)</sup> C = interference suppression <sup>9)</sup> D = outputs overcurrent and short-circuit protected <sup>10)</sup> Reference voltage 50 V DC <sup>11)</sup> Operating reserve < 50 %

## Dimensional drawing

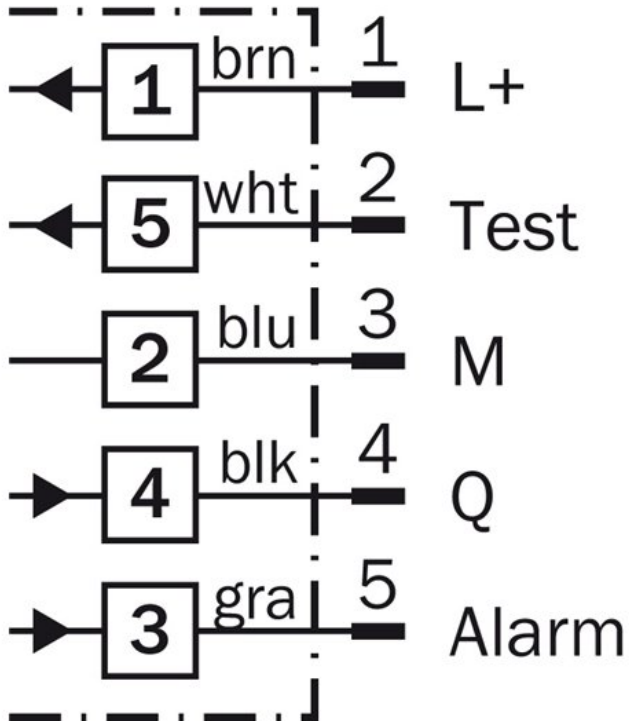


Adjustments possible

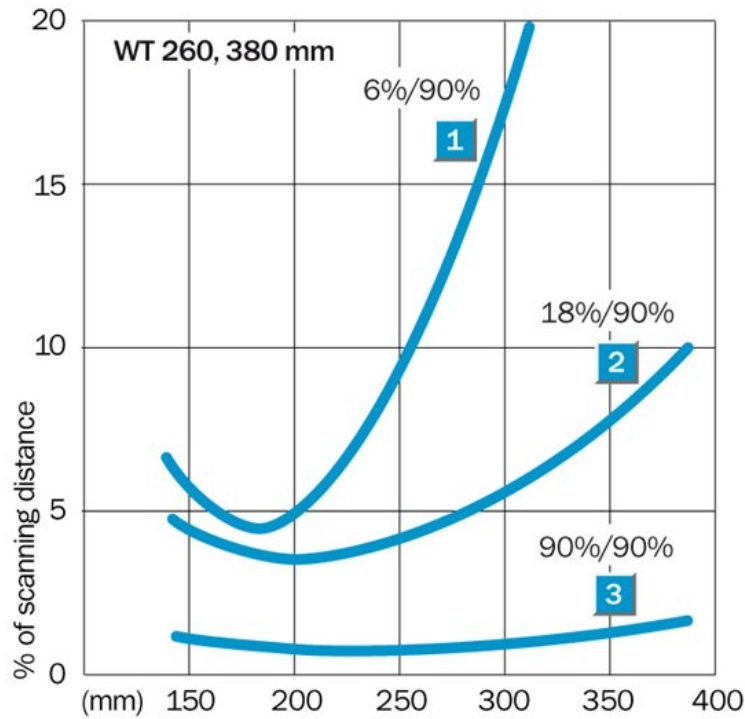


- [5] LED signal strength indicator, red
- [7] Sensing distance adjustment
- [8] Light/ dark rotary switch L= light switching, D= dark switching
- [9] Terminals

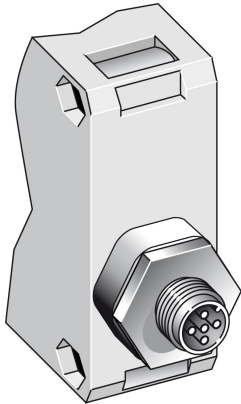
Connection diagram



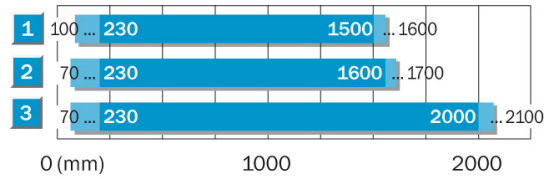
### Characteristic curve



### Connection type



### Sensing range diagram



■ Operating distance    ■ Typ. max. scanning distance  
 Dependent on setting of scanning distance

1	Scanning range on black, 6 % remission
2	Scanning range on gray, 18 % remission
3	Scanning range on white, 90 % remission

**Australia**

Phone +61 3 9457 0600  
1800 334 802 – tollfree  
E-Mail sales@sick.com.au

**Belgium/Luxembourg**

Phone +32 (0)2 466 55 66  
E-Mail info@sick.be

**Brasil**

Phone +55 11 3215-4900  
E-Mail sac@sick.com.br

**Canada**

Phone +1 905 771 14 44  
E-Mail information@sick.com

**Ceská Republika**

Phone +420 2 57 91 18 50  
E-Mail sick@sick.cz

**China**

Phone +86 4000 121 000  
E-Mail info.china@sick.net.cn  
Phone +852-2153 6300  
E-Mail ghk@sick.com.hk

**Danmark**

Phone +45 45 82 64 00  
E-Mail sick@sick.dk

**Deutschland**

Phone +49 211 5301-301  
E-Mail kundenservice@sick.de

**España**

Phone +34 93 480 31 00  
E-Mail info@sick.es

**France**

Phone +33 1 64 62 35 00  
E-Mail info@sick.fr

**Great Britain**

Phone +44 (0)1727 831121  
E-Mail info@sick.co.uk

**India**

Phone +91-22-4033 8333  
E-Mail info@sick-india.com

**Israel**

Phone +972-4-6801000  
E-Mail info@sick-sensors.com

**Italia**

Phone +39 02 27 43 41  
E-Mail info@sick.it

**Japan**

Phone +81 (0)3 3358 1341  
E-Mail support@sick.jp

**Magyarország**

Phone +36 1 371 2680  
E-Mail office@sick.hu

**Nederlands**

Phone +31 (0)30 229 25 44  
E-Mail info@sick.nl

**Norge**

Phone +47 67 81 50 00  
E-Mail austefjord@sick.no

**Österreich**

Phone +43 (0)22 36 62 28 8-0  
E-Mail office@sick.at

**Polska**

Phone +48 22 837 40 50  
E-Mail info@sick.pl

**România**

Phone +40 356 171 120  
E-Mail office@sick.ro

**Russia**

Phone +7-495-775-05-30  
E-Mail info@sick.ru

**Schweiz**

Phone +41 41 619 29 39  
E-Mail contact@sick.ch

**Singapore**

Phone +65 6744 3732  
E-Mail admin@sicksgp.com.sg

**Slovenija**

Phone +386 (0)1-47 69 990  
E-Mail office@sick.si

**South Africa**

Phone +27 11 472 3733  
E-Mail info@sickautomation.co.za

**South Korea**

Phone +82 2 786 6321/4  
E-Mail info@sickkorea.net

**Suomi**

Phone +358-9-25 15 800  
E-Mail sick@sick.fi

**Sverige**

Phone +46 10 110 10 00  
E-Mail info@sick.se

**Taiwan**

Phone +886-2-2375-6288  
E-Mail sales@sick.com.tw

**Türkiye**

Phone +90 (216) 528 50 00  
E-Mail info@sick.com.tr

**United Arab Emirates**

Phone +971 (0) 4 8865 878  
E-Mail info@sick.ae

**USA/México**

Phone +1(952) 941-6780  
1 800-325-7425 – tollfree  
E-Mail info@sickusa.com

More representatives and agencies  
at [www.sick.com](http://www.sick.com)