



FUSE-SWITCH-DISCONNECTOR 3-POLE, NH000,
160A 60MM BUSBAR SYSTEM COVERS FOR RITTAL BOX
TERMINAL FUSE MONITORING ELECTRONIC,
EFM 20

Similar to image

General technical details:

| | |
|--|--|
| Number of poles | 3 |
| product brand name | SENTRON |
| Product designation | Fuse switch disconnecter |
| Fuse system | LV HRC fuse |
| Installation size of fuse-link | NH000 |
| Installation size of disconnecting link | 000 |
| Type from device | Zum Aufschnappen auf Sammelschienensystem Rittal 60 mm |
| Design of the product | 3-pole |
| Busbar design | Sammelschienendicke 5 oder 10 mm |
| Design of the operating mechanism | handle unit |
| Type of the driving mechanism / motor drive | No |
| Design of the safety monitoring | elektronisch EFM20 |
| Number of NC contacts / for auxiliary contacts | 0 |
| Number of NO contacts / for auxiliary contacts | 0 |
| Number of changeover contacts / for auxiliary contacts | 0 |
| Design of the load switch / Strip form | No |
| Product equipment / interlock | Yes |

| | | |
|---|---|-----|
| Product feature / sealable | | Yes |
| Product component | | |
| • phase failure monitoring | | Yes |
| • undervoltage release mechanism | | No |
| • undervoltage release with leading contact | | No |
| • trip indicator | | Yes |
| Acceptability for application | | |
| • switch disconnecter | | Yes |
| • emergency stop switch | | No |
| • main switch | | No |
| • safety cut-out switch | | Yes |
| • maintenance/repair switch | | Yes |
| Product function | | |
| • fuse monitoring | | Yes |
| • overvoltage protection monitoring | | Yes |
| Product extension | | |
| • auxiliary switch | | Yes |
| • optional | | |
| • voltage trigger | | No |
| • locking capability | | Yes |
| • motor drive | | No |
| Continuous current | | |
| • rated value | A | 100 |
| • at 35 °C / rated value | A | 160 |
| • at 40 °C / rated value | A | 150 |
| • at 45 °C / rated value | A | 140 |
| • at 50 °C / rated value | A | 130 |
| • at 55 °C / rated value | A | 120 |
| Operating current | | |
| • at AC-21 B | | |
| • at 400 V / rated value | A | 160 |
| • at 500 V / rated value | A | 160 |
| • at 690 V / rated value | A | 160 |
| • at AC-22 B | | |
| • at 400 V / rated value | A | 160 |
| • at 500 V / rated value | A | 125 |
| • at 690 V / rated value | A | 50 |
| • at AC-23 B | | |
| • at 400 V / rated value | A | 160 |
| • at 500 V / rated value | A | 40 |

| | | |
|---|--------------------|-------------|
| <ul style="list-style-type: none"> • at 690 V / rated value | A | 25 |
| <ul style="list-style-type: none"> • with capacitive load | | |
| <ul style="list-style-type: none"> • at 400 V / maximum | A | 72 |
| <ul style="list-style-type: none"> • at 500 V / maximum | A | 55 |
| Let-through current | | |
| <ul style="list-style-type: none"> • with speedy activation / maximum permissible | kA | 10 |
| <ul style="list-style-type: none"> • with closed switch / maximum permissible | kA | 15 |
| Conditional short-circuit current (I_q) | | |
| <ul style="list-style-type: none"> • rated value | kA | 80 |
| <ul style="list-style-type: none"> • at 500 V / with AC / with speedy activation / rated value | kA | 80 |
| <ul style="list-style-type: none"> • at 690 V / with AC / with speedy activation / rated value | kA | 80 |
| <ul style="list-style-type: none"> • with closed switch | | |
| <ul style="list-style-type: none"> • at 500 V / with AC / rated value | kA | 120 |
| <ul style="list-style-type: none"> • at 690 V / with AC / rated value | kA | 120 |
| Tension d'emploi | | |
| <ul style="list-style-type: none"> • for AC / rated value | V | 230 ... 690 |
| Power factor | | |
| <ul style="list-style-type: none"> • at AC-21 B | | 0.95 |
| <ul style="list-style-type: none"> • at AC-22 B | | 0.65 |
| <ul style="list-style-type: none"> • at AC-23 B | | 0.45 |
| <ul style="list-style-type: none"> • with capacitive load | | -0.25 |
| Active power loss / maximum | W | 9 |
| Insulation voltage / rated value | V | 690 |
| Impulse voltage resistance / rated value | kV | 8 |
| I²t value / with closed switch / maximum permissible | kA ² ·s | 56 |
| Item designation | | |
| <ul style="list-style-type: none"> • according to DIN EN 61346-2 | | Q |
| <ul style="list-style-type: none"> • according to DIN EN 81346-2 | | Q |

Connection elements and terminals:

| | | |
|---|-----------------|---------------|
| Design of the electrical connection / for main current circuit | | box terminals |
| Conductor cross section that can be connected / for main contacts | | |
| <ul style="list-style-type: none"> • single- or multi-stranded | mm ² | 1.5 ... 50 |
| <ul style="list-style-type: none"> • stranded | mm ² | 1.5 ... 50 |
| <ul style="list-style-type: none"> • stranded wire / with conductor end processing | mm ² | 1.5 ... 35 |
| Type of connectable conductor cross-sections / of laminated conductors | | |
| <ul style="list-style-type: none"> • maximum | | 8 x 8 mm |
| Tightening torque | | |
| <ul style="list-style-type: none"> • with screw-type terminals | N·m | 10 ... 12 |

| | | |
|--|--|----------|
| Arrangement of electrical connectors / for main current circuit | | sonstige |
|--|--|----------|

Degree of protection and safety class:

| | | |
|--|--|-------|
| Protection class IP | | |
| • open | | IP20 |
| • on the front | | IP40 |
| • with closed switch | | |
| • without cover or cable lug cover | | IP30 |
| • with cover or cable lug cover | | IP40 |
| Degree of pollution | | 3 |
| Mechanical operating cycles as operating time / typical | | 2,000 |

Ambient conditions:

| | | |
|----------------------------|----|-------------|
| Ambient temperature | | |
| • during operating | °C | -25 ... +55 |
| • during storage | °C | -50 ... +80 |

Installation/mounting/dimensions:

| | | |
|--|----|--------------------------|
| Mounting type | | busbar mounting |
| • rail mounting | | Yes |
| • front mounting | | No |
| • front mounting with central attachment | | No |
| • front mounting with 4-hole attachment | | No |
| • floor mounting | | No |
| mounting position | | waagrecht oder senkrecht |
| Width | mm | 88.8 |
| Height | mm | 210.4 |
| Depth | mm | 166 |
| Largeur | | |
| • du jeu de barres | mm | 12 ... 30 |
| Center line spacing | mm | 60 |
| Net weight | kg | 0.94 |

Certificates/approvals:

General Product Approval

Declaration of
Conformity

CB

CB



CCC



GOST



UL



UR



EG-Konf.

Test Certificates

Shipping Approval

[Type Test
Certificates/Test
Report](#)



DNV



GL



LRS

Further information:

Information- and Downloadcenter (Catalogs, Brochures,...)

<http://www.siemens.com/lowvoltage/catalogs>

Industry Mall (Online ordering system)

<https://eb.automation.siemens.com/mall/en/WW/Catalog/Product/3NP1123-1JC23>

Service&Support (Manuals, Certificates, Characteristics, FAQs,...)

<http://support.automation.siemens.com/WW/view/en/3NP1123-1JC23/all>

Image database (product images, 2D dimension drawings, 3D models, device circuit diagrams, ...)

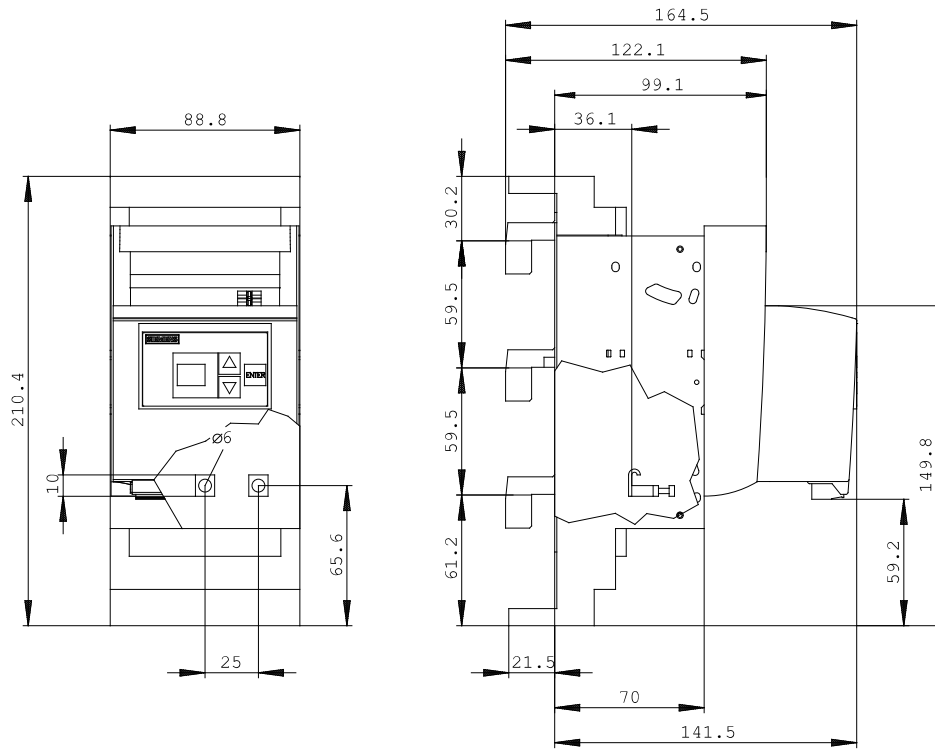
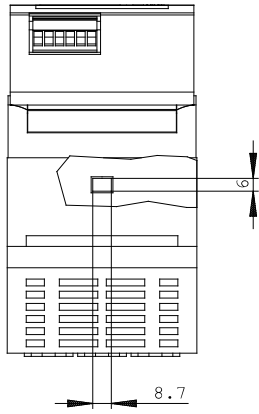
http://www.automation.siemens.com/bilddb/cax_en.aspx?mlfb=3NP1123-1JC23

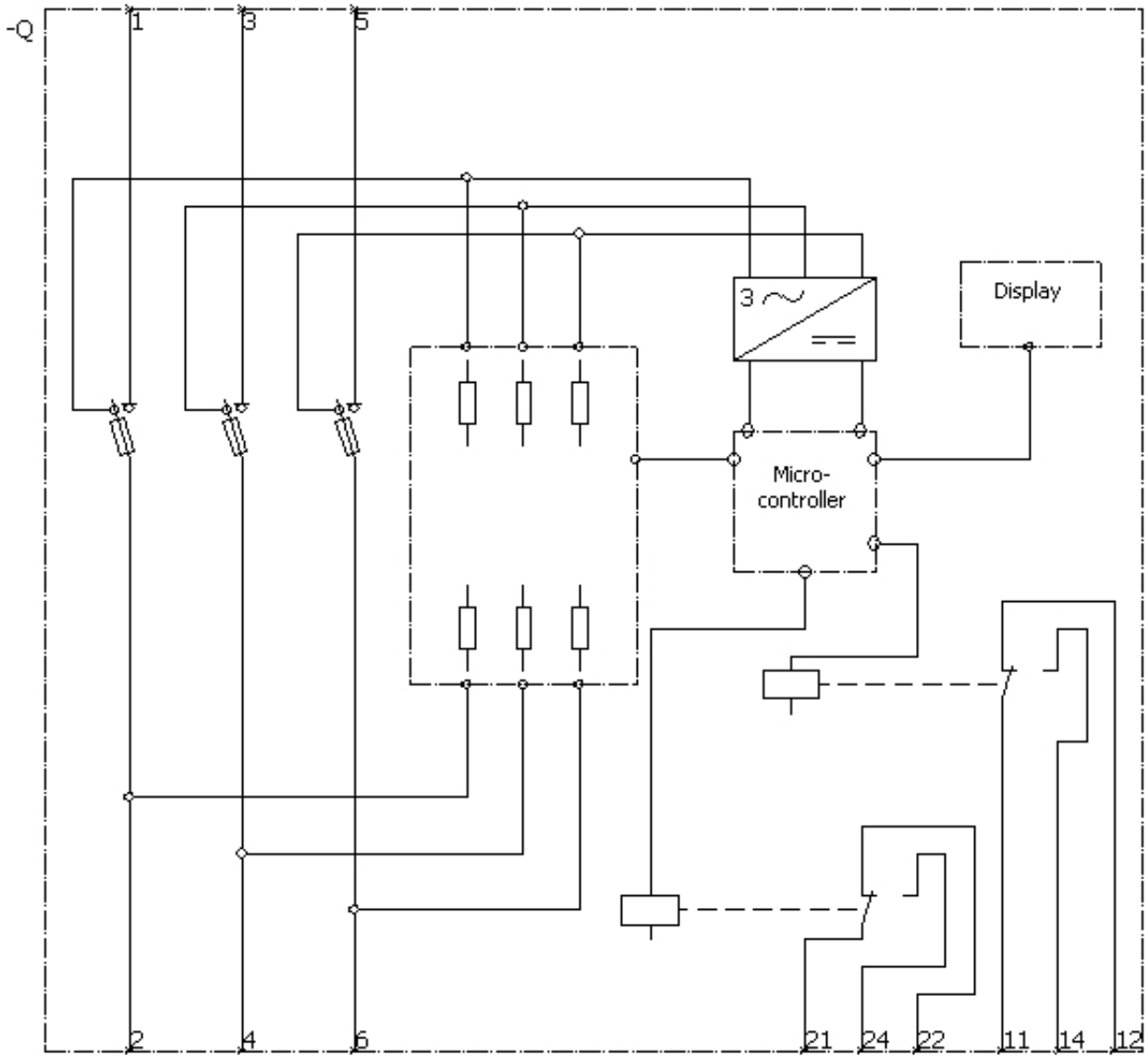
CAX-Online-Generator

<http://www.siemens.com/cax>

Tender specifications

[Datanorm GAEB81](#) [GAEB83](#) [RTF](#) [TXT](#)





last change:

Jul 7, 2014