

power contactor, AC-3 25 A, 11 kW / 400 V 1 NO + 1 NC, 48 V AC, 50 Hz, 3-pole, Size S0 screw terminal



product brand name	SIRIUS
product designation	Power contactor
product type designation	3RT2

General technical data	
size of contactor	S0
product extension	
<ul style="list-style-type: none"> function module for communication 	No
<ul style="list-style-type: none"> auxiliary switch 	Yes
power loss [W] for rated value of the current	
<ul style="list-style-type: none"> at AC in hot operating state 	4.8 W
<ul style="list-style-type: none"> at AC in hot operating state per pole 	1.6 W
power loss [W] for rated value of the current without load current share typical	9.8 W
surge voltage resistance	
<ul style="list-style-type: none"> of main circuit rated value 	6 kV
<ul style="list-style-type: none"> of auxiliary circuit rated value 	6 kV
maximum permissible voltage for safe isolation	
<ul style="list-style-type: none"> between coil and main contacts acc. to EN 60947-1 	400 V

protection class IP	
• on the front	IP20
• of the terminal	IP20
shock resistance at rectangular impulse	
• at AC	8,3g / 5 ms, 5,3g / 10 ms
shock resistance with sine pulse	
• at AC	13,5g / 5 ms, 8,3g / 10 ms
mechanical service life (switching cycles)	
• of contactor typical	10 000 000
• of the contactor with added electronics-compatible auxiliary switch block typical	5 000 000
• of the contactor with added auxiliary switch block typical	10 000 000
reference code acc. to DIN EN 81346-2	Q

Ambient conditions	
• installation altitude at height above sea level maximum	2 000 m
ambient temperature	
• during operation	-25 ... +60 °C
• during storage	-55 ... +80 °C

Main circuit	
number of poles for main current circuit	3
number of NO contacts for main contacts	3
operating voltage	
• at AC-3 rated value maximum	690 V
operating current	
• at AC-1 at 400 V	
— at ambient temperature 40 °C rated value	40 A
• at AC-1	
— up to 690 V at ambient temperature 40 °C rated value	40 A
— up to 690 V at ambient temperature 60 °C rated value	35 A
• at AC-2 at 400 V rated value	25 A
• at AC-3	
— at 400 V rated value	25 A
— at 500 V rated value	18 A
— at 690 V rated value	13 A
• at AC-4 at 400 V rated value	15.5 A
• at AC-5a up to 690 V rated value	35.2 A
• at AC-5b up to 400 V rated value	20.7 A
• at AC-6a	

— up to 230 V for current peak value n=20 rated value	20.2 A
— up to 400 V for current peak value n=20 rated value	20.2 A
— up to 500 V for current peak value n=20 rated value	20.2 A
— up to 690 V for current peak value n=20 rated value	12.9 A
• at AC-6a	
— up to 230 V for current peak value n=30 rated value	13.5 A
— up to 400 V for current peak value n=30 rated value	13.5 A
— up to 500 V for current peak value n=30 rated value	13.5 A
— up to 690 V for current peak value n=30 rated value	13 A
minimum cross-section in main circuit	
• at maximum AC-1 rated value	10 mm ²
operating current for approx. 200000 operating cycles at AC-4	
• at 400 V rated value	9 A
• at 690 V rated value	9 A
operating current	
• at 1 current path at DC-1	
— at 24 V rated value	35 A
— at 110 V rated value	4.5 A
— at 220 V rated value	1 A
— at 440 V rated value	0.4 A
— at 600 V rated value	0.25 A
• with 2 current paths in series at DC-1	
— at 24 V rated value	35 A
— at 110 V rated value	35 A
— at 220 V rated value	5 A
— at 440 V rated value	1 A
— at 600 V rated value	0.8 A
• with 3 current paths in series at DC-1	
— at 24 V rated value	35 A
— at 110 V rated value	35 A
— at 220 V rated value	35 A
— at 440 V rated value	2.9 A
— at 600 V rated value	1.4 A
operating current	

<ul style="list-style-type: none"> • at 1 current path at DC-3 at DC-5 <ul style="list-style-type: none"> — at 24 V rated value — at 110 V rated value — at 220 V rated value — at 440 V rated value — at 600 V rated value • with 2 current paths in series at DC-3 at DC-5 <ul style="list-style-type: none"> — at 24 V rated value — at 110 V rated value — at 220 V rated value — at 440 V rated value — at 600 V rated value • with 3 current paths in series at DC-3 at DC-5 <ul style="list-style-type: none"> — at 24 V rated value — at 110 V rated value — at 220 V rated value — at 440 V rated value — at 600 V rated value 	<p>20 A</p> <p>2.5 A</p> <p>1 A</p> <p>0.09 A</p> <p>0.06 A</p> <p>35 A</p> <p>15 A</p> <p>3 A</p> <p>0.27 A</p> <p>0.16 A</p> <p>35 A</p> <p>35 A</p> <p>10 A</p> <p>0.6 A</p> <p>0.6 A</p>
operating power	
<ul style="list-style-type: none"> • at AC-2 at 400 V rated value • at AC-3 <ul style="list-style-type: none"> — at 230 V rated value — at 400 V rated value — at 500 V rated value — at 690 V rated value 	<p>11 kW</p> <p>5.5 kW</p> <p>11 kW</p> <p>11 kW</p> <p>11 kW</p>
operating power for approx. 200000 operating cycles at AC-4	
<ul style="list-style-type: none"> • at 400 V rated value • at 690 V rated value 	<p>4.4 kW</p> <p>7.7 kW</p>
operating apparent output at AC-6a	
<ul style="list-style-type: none"> • up to 230 V for current peak value n=20 rated value • up to 400 V for current peak value n=20 rated value • up to 500 V for current peak value n=20 rated value • up to 690 V for current peak value n=20 rated value 	<p>8 kV·A</p> <p>13.9 kV·A</p> <p>17.4 kV·A</p> <p>15.4 kV·A</p>
operating apparent output at AC-6a	
<ul style="list-style-type: none"> • up to 230 V for current peak value n=30 rated value • up to 400 V for current peak value n=30 rated value 	<p>5.3 kV·A</p> <p>9.3 kV·A</p>

<ul style="list-style-type: none"> • up to 500 V for current peak value n=30 rated value • up to 690 V for current peak value n=30 rated value 	<p>11.6 kV·A</p> <p>15.5 kV·A</p>
short-time withstand current in cold operating state up to 40 °C <ul style="list-style-type: none"> • limited to 1 s switching at zero current maximum • limited to 5 s switching at zero current maximum • limited to 10 s switching at zero current maximum • limited to 30 s switching at zero current maximum • limited to 60 s switching at zero current maximum 	<p>375 A; Use minimum cross-section acc. to AC-1 rated value</p> <p>299 A; Use minimum cross-section acc. to AC-1 rated value</p> <p>200 A; Use minimum cross-section acc. to AC-1 rated value</p> <p>128 A; Use minimum cross-section acc. to AC-1 rated value</p> <p>106 A; Use minimum cross-section acc. to AC-1 rated value</p>
no-load switching frequency <ul style="list-style-type: none"> • at AC 	<p>5 000 1/h</p>
operating frequency <ul style="list-style-type: none"> • at AC-1 maximum • at AC-2 maximum • at AC-3 maximum • at AC-4 maximum 	<p>1 000 1/h</p> <p>750 1/h</p> <p>750 1/h</p> <p>250 1/h</p>

Control circuit/ Control	
type of voltage of the control supply voltage	AC
control supply voltage at AC <ul style="list-style-type: none"> • at 50 Hz rated value 	48 V
operating range factor control supply voltage rated value of magnet coil at AC <ul style="list-style-type: none"> • at 50 Hz 	0.8 ... 1.1
apparent pick-up power of magnet coil at AC <ul style="list-style-type: none"> • at 50 Hz 	77 V·A
inductive power factor with closing power of the coil <ul style="list-style-type: none"> • at 50 Hz 	0.82
apparent holding power of magnet coil at AC <ul style="list-style-type: none"> • at 50 Hz 	9.8 V·A
inductive power factor with the holding power of the coil <ul style="list-style-type: none"> • at 50 Hz 	0.25
closing delay <ul style="list-style-type: none"> • at AC 	8 ... 40 ms
opening delay <ul style="list-style-type: none"> • at AC 	4 ... 16 ms

arcing time	10 ... 10 ms
control version of the switch operating mechanism	Standard A1 - A2
Auxiliary circuit	
number of NC contacts for auxiliary contacts	
• instantaneous contact	1
number of NO contacts for auxiliary contacts	
• instantaneous contact	1
operating current at AC-12 maximum	10 A
operating current at AC-15	
• at 230 V rated value	10 A
• at 400 V rated value	3 A
• at 500 V rated value	2 A
• at 690 V rated value	1 A
operating current at DC-12	
• at 24 V rated value	10 A
• at 48 V rated value	6 A
• at 60 V rated value	6 A
• at 110 V rated value	3 A
• at 125 V rated value	2 A
• at 220 V rated value	1 A
• at 600 V rated value	0.15 A
operating current at DC-13	
• at 24 V rated value	10 A
• at 48 V rated value	2 A
• at 60 V rated value	2 A
• at 110 V rated value	1 A
• at 125 V rated value	0.9 A
• at 220 V rated value	0.3 A
• at 600 V rated value	0.1 A
contact reliability of auxiliary contacts	1 faulty switching per 100 million (17 V, 1 mA)
UL/CSA ratings	
full-load current (FLA) for three-phase AC motor	
• at 480 V rated value	21 A
• at 600 V rated value	22 A
yielded mechanical performance [hp]	
• for single-phase AC motor	
— at 110/120 V rated value	2 hp
— at 230 V rated value	3 hp
• for three-phase AC motor	
— at 200/208 V rated value	5 hp
— at 220/230 V rated value	7.5 hp

— at 460/480 V rated value	15 hp
— at 575/600 V rated value	20 hp
contact rating of auxiliary contacts according to UL	A600 / P600

Short-circuit protection

design of the fuse link	
<ul style="list-style-type: none"> • for short-circuit protection of the main circuit <ul style="list-style-type: none"> — with type of coordination 1 required — with type of assignment 2 required • for short-circuit protection of the auxiliary switch required 	<p>gG: 100 A (690 V, 100 kA), aM: 50 A (690 V, 100 kA), BS88: 100 A (415 V, 80 kA)</p> <p>gG: 35A (690V, 100kA), aM: 20A (690V, 100kA), BS88: 35A (415V, 80kA)</p> <p>gG: 10 A (500 V, 1 kA)</p>

Installation/ mounting/ dimensions

mounting position	+/-180° rotation possible on vertical mounting surface; can be tilted forward and backward by +/- 22.5° on vertical mounting surface
mounting type	screw and snap-on mounting onto 35 mm standard mounting rail according to DIN EN 60715
<ul style="list-style-type: none"> • side-by-side mounting 	Yes
height	85 mm
width	45 mm
depth	97 mm
required spacing	
<ul style="list-style-type: none"> • with side-by-side mounting <ul style="list-style-type: none"> — forwards — upwards — downwards — at the side • for grounded parts <ul style="list-style-type: none"> — forwards — upwards — at the side — downwards • for live parts <ul style="list-style-type: none"> — forwards — upwards — downwards — at the side 	<p>10 mm</p> <p>10 mm</p> <p>10 mm</p> <p>0 mm</p> <p>10 mm</p> <p>10 mm</p> <p>6 mm</p> <p>10 mm</p> <p>10 mm</p> <p>10 mm</p> <p>10 mm</p> <p>10 mm</p> <p>10 mm</p> <p>6 mm</p>

Connections/ Terminals

type of electrical connection	
<ul style="list-style-type: none"> • for main current circuit • for auxiliary and control current circuit 	<p>screw-type terminals</p> <p>screw-type terminals</p>

<ul style="list-style-type: none"> • at contactor for auxiliary contacts • of magnet coil 	<p>Screw-type terminals</p> <p>Screw-type terminals</p>
<p>type of connectable conductor cross-sections</p> <ul style="list-style-type: none"> • for main contacts <ul style="list-style-type: none"> — solid — single or multi-stranded — finely stranded with core end processing • at AWG conductors for main contacts 	<p>2x (1 ... 2.5 mm²), 2x (2.5 ... 10 mm²)</p> <p>2x (1 ... 2,5 mm²), 2x (2,5 ... 10 mm²)</p> <p>2x (1 ... 2.5 mm²), 2x (2.5 ... 6 mm²), 1x 10 mm²</p> <p>2x (16 ... 12), 2x (14 ... 8)</p>
<p>connectable conductor cross-section for main contacts</p> <ul style="list-style-type: none"> • solid • stranded • finely stranded with core end processing 	<p>1 ... 10 mm²</p> <p>1 ... 10 mm²</p> <p>1 ... 10 mm²</p>
<p>connectable conductor cross-section for auxiliary contacts</p> <ul style="list-style-type: none"> • single or multi-stranded • finely stranded with core end processing 	<p>0.5 ... 2.5 mm²</p> <p>0.5 ... 2.5 mm²</p>
<p>type of connectable conductor cross-sections for auxiliary contacts</p> <ul style="list-style-type: none"> — single or multi-stranded — finely stranded with core end processing 	<p>2x (0,5 ... 1,5 mm²), 2x (0,75 ... 2,5 mm²)</p> <p>2x (0.5 ... 1.5 mm²), 2x (0.75 ... 2.5 mm²)</p>
<p>type of connectable conductor cross-sections at AWG conductors for auxiliary contacts</p>	<p>2x (20 ... 16), 2x (18 ... 14)</p>
<p>AWG number as coded connectable conductor cross section</p> <ul style="list-style-type: none"> • for main contacts • for auxiliary contacts 	<p>16 ... 8</p> <p>20 ... 14</p>

Safety related data	
<p>B10 value</p> <ul style="list-style-type: none"> • with high demand rate acc. to SN 31920 	<p>1 000 000</p>
<p>proportion of dangerous failures</p> <ul style="list-style-type: none"> • with low demand rate acc. to SN 31920 • with high demand rate acc. to SN 31920 	<p>40 %</p> <p>73 %</p>
<p>failure rate [FIT]</p> <ul style="list-style-type: none"> • with low demand rate acc. to SN 31920 	<p>100 FIT</p>
<p>product function</p> <ul style="list-style-type: none"> • mirror contact acc. to IEC 60947-4-1 	<p>Yes</p>
<p>T1 value for proof test interval or service life acc. to IEC 61508</p>	<p>20 y</p>
<p>protection against electrical shock</p>	<p>finger-safe</p>
<p>suitability for use safety-related switching OFF</p>	<p>Yes</p>

Certificates/ approvals

General Product Approval	EMC
--------------------------	-----



[KC](#)



Functional Safety/Safety of Machinery	Declaration of Conformity	Test Certificates	Marine / Shipping
---------------------------------------	---------------------------	-------------------	-------------------

[Type Examination Certificate](#)



[Miscellaneous](#)

[Type Test Certificates/Test Report](#)

[Special Test Certificate](#)



Marine / Shipping	other
-------------------	-------



[Confirmation](#)

other



Further information

Information- and Downloadcenter (Catalogs, Brochures,...)

<https://www.siemens.com/ic10>

Industry Mall (Online ordering system)

<https://mall.industry.siemens.com/mall/en/en/Catalog/product?mlfb=3RT2026-1AH00>

Cax online generator

<http://support.automation.siemens.com/WW/CAXorder/default.aspx?lang=en&mlfb=3RT2026-1AH00>

Service&Support (Manuals, Certificates, Characteristics, FAQs,...)

<https://support.industry.siemens.com/cs/ww/en/ps/3RT2026-1AH00>

Image database (product images, 2D dimension drawings, 3D models, device circuit diagrams, EPLAN macros, ...)

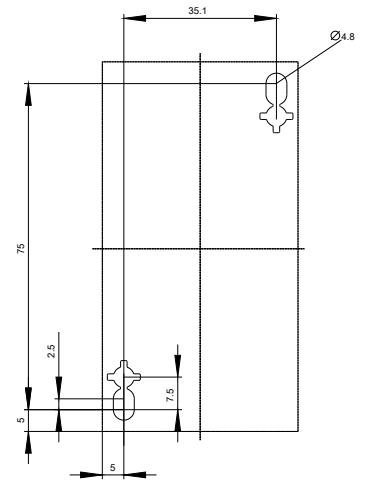
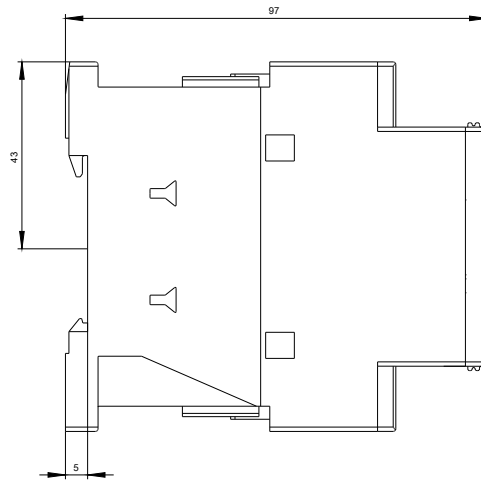
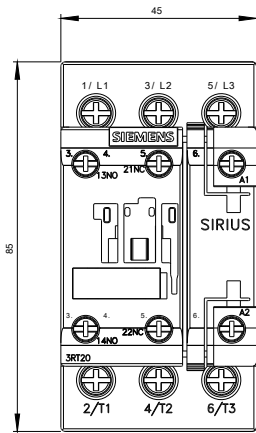
http://www.automation.siemens.com/bilddb/cax_de.aspx?mlfb=3RT2026-1AH00&lang=en

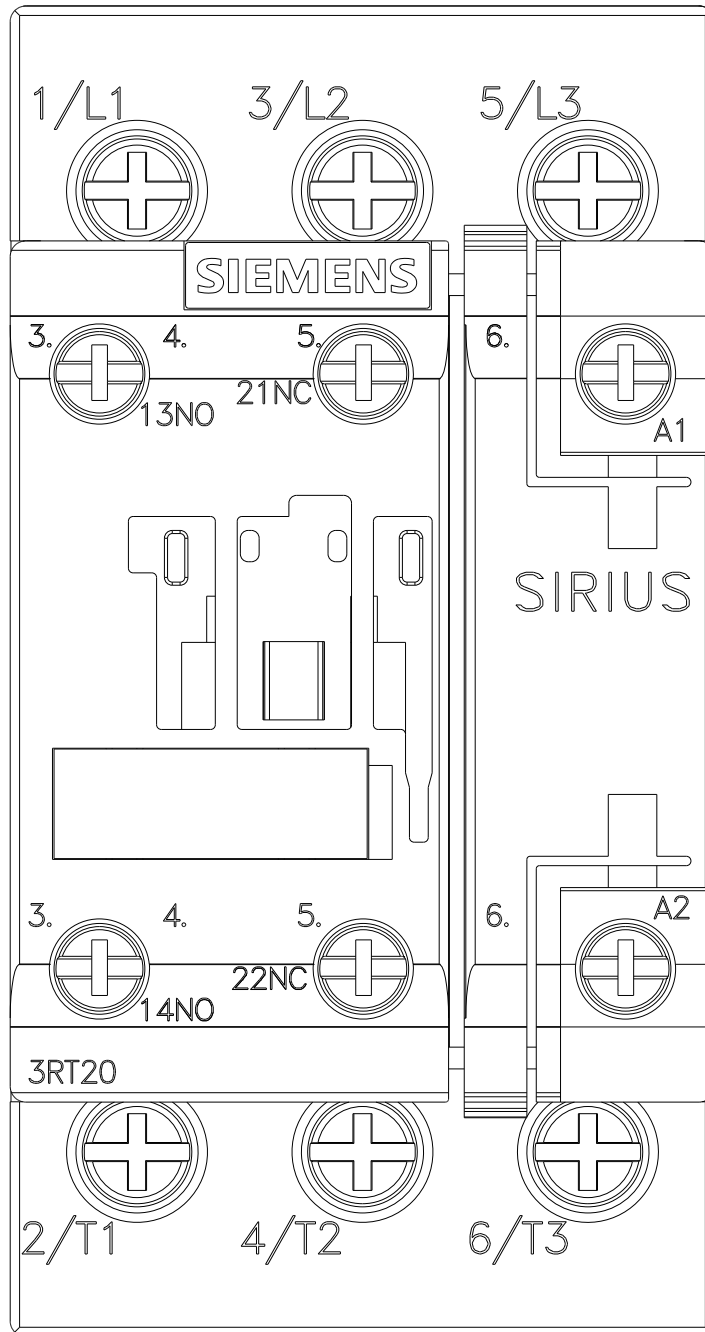
Characteristic: Tripping characteristics, I²t, Let-through current

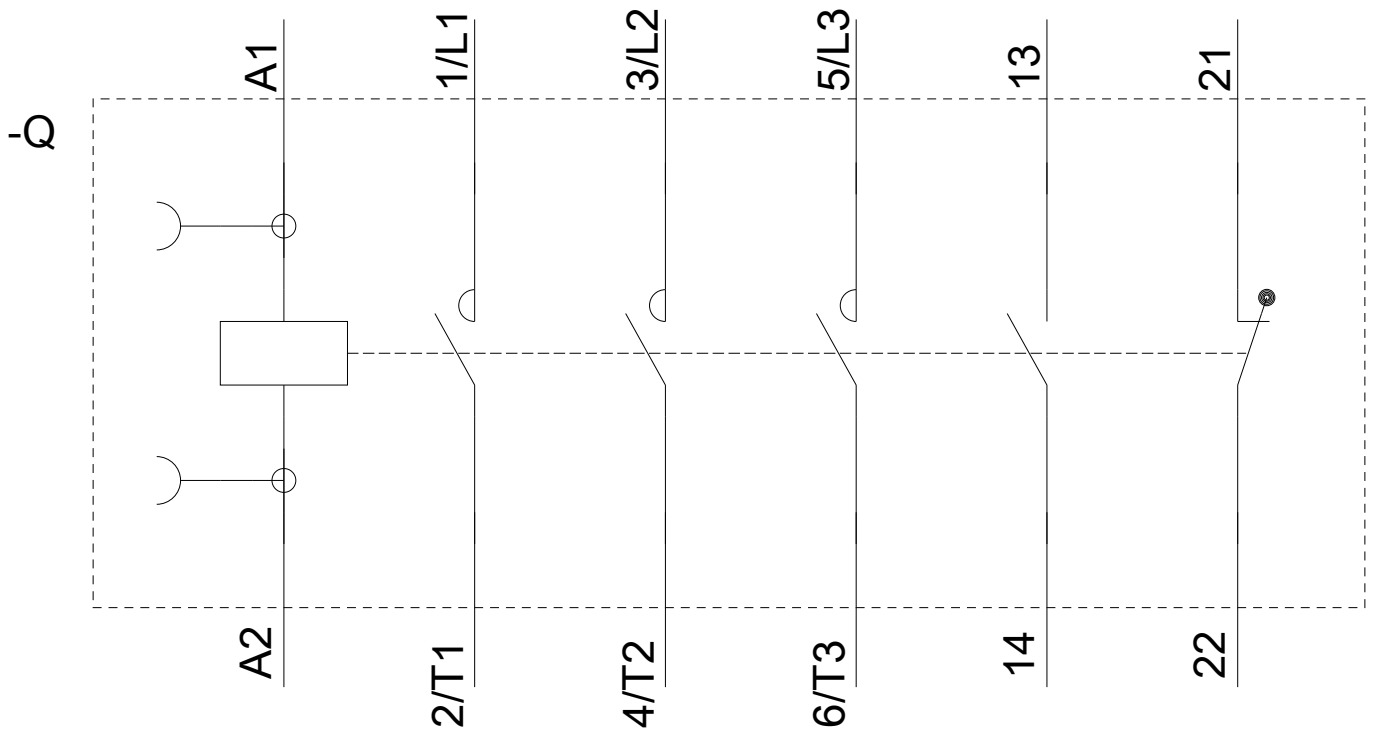
<https://support.industry.siemens.com/cs/ww/en/ps/3RT2026-1AH00/char>

Further characteristics (e.g. electrical endurance, switching frequency)

<http://www.automation.siemens.com/bilddb/index.aspx?view=Search&mlfb=3RT2026-1AH00&objecttype=14&gridview=view1>







last modified:

09/08/2020