



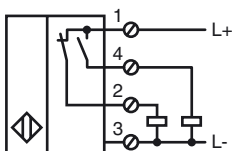
Model Number

CJ40-FP-A2-P4

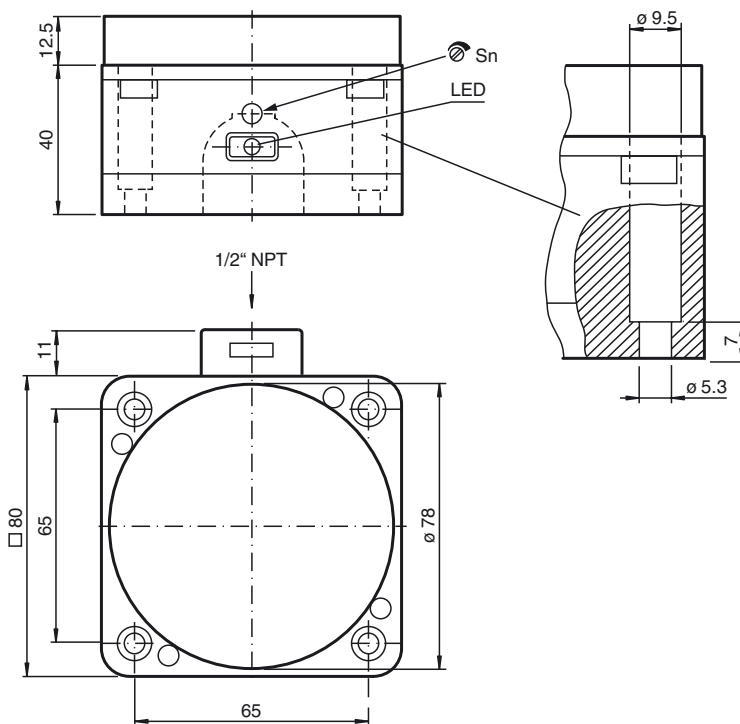
Features

- 40 mm non-flush
- 4-wire DC
- The switching distance can be set over a wide range with the potentiometer

Connection



Dimensions



Technical Data

General specifications

Switching element function	PNP	NO/NC
Rated operating distance	s_n	40 mm
Installation	non-flush	
Output polarity	DC	
Assured operating distance	s_a	0 ... 32.4 mm

Nominal ratings

Installation conditions		
B		40 mm
C		80 mm
F		120 mm
Operating voltage	U_B	10 ... 60 V DC
Switching frequency	f	0 ... 10 Hz
Hysteresis	H	3 ... 20 % 10 % typical
Reverse polarity protection	reverse polarity protected	
Short-circuit protection	pulsing	
Voltage drop	U_d	≤ 3 V
Operating current	I_L	0 ... 200 mA
No-load supply current	I_0	≤ 20 mA
Switching state indication	LED, yellow	

Indicators/operating means

Potentiometer	sensitivity adjustment
---------------	------------------------

Ambient conditions

Ambient temperature	-25 ... 70 °C (-13 ... 158 °F)
---------------------	--------------------------------

Mechanical specifications

Connection type	screw terminals
Core cross-section	up to 2.5 mm ²
Housing material	POM / metal
Sensing face	POM
Housing base	metal
Protection degree	IP65

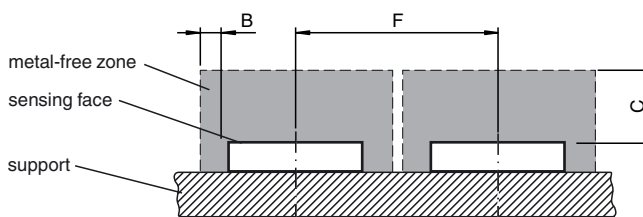
Compliance with standards and directives

Standard conformity	
Standards	EN 60947-5-2:2007 IEC 60947-5-2:2007

Approvals and certificates

UL approval	cULus Listed, General Purpose
CSA approval	cCSAus Listed, General Purpose

Installation conditions



Release date: 2013-04-09 12:13 Date of issue: 2013-04-09 904116_eng.xml