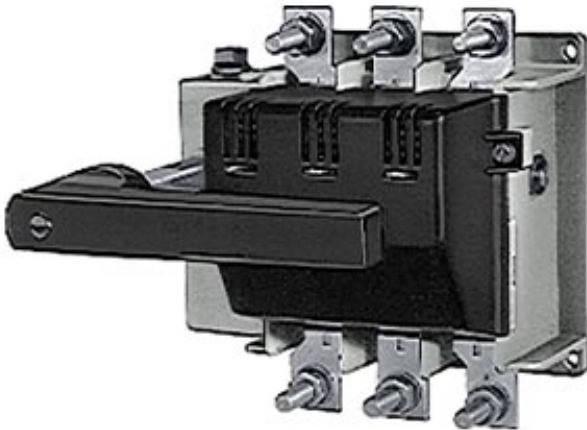


SWITCH DISCONNECTOR 3-POLE WITH DOOR DRIVE  
8UC7 HANDLE TI-GREY/BL.GREEN BASIC MASKING  
FRAME LIGHT GRAY



Similar to image

**General technical details:**

<b>product brand name</b>		SETRON
<b>product designation</b>		Switch Disconnecter 3KE
<b>Number of poles</b>		3
<b>Acceptability for application</b>		
• main switch		Yes
• switch disconnecter		Yes
• emergency stop switch		Yes
• safety cut-out switch		Yes
• maintenance/repair switch		Yes
<b>Product extension</b>		
• optional / motor drive		No
• optional / voltage trigger		No
<b>Design of the operating mechanism</b>		manual operating mechanism
<b>Product equipment / interlock</b>		Yes
<b>Type from device</b>		fixed mounting
<b>type of voltage</b>		AC/DC
<b>Continuous current / rated value</b>	A	630

<b>Breaking capacity limit short-circuit current (I<sub>cu</sub>) / at 400 V / rated value</b>	A	50,000
• optional / interlock		Yes
• auxiliary switch		Yes
<b>Active power loss</b>		
• maximum	W	78
• per conductor / typical	W	26
<b>Insulation voltage / rated value</b>	V	1,000
<b>Impulse voltage resistance / rated value</b>	V	8,000
<b>Item designation</b>		
• according to DIN EN 61346-2		Q
• according to DIN 40719 extendable after IEC 204-2 / according to IEC 750		Q

#### Main circuit:

<b>Design of the electrical connection</b>		
• for main current circuit		flat connector
<b>Number of poles / for main current circuit</b>		3
<b>Operating current</b>		
• at AC-21		
• at 500 V / rated value	A	630
• at 690 V / rated value	A	630
• rated value	A	630
• at AC-22 A		
• at 400 V / rated value	A	630
• at 500 V / rated value	A	630
• at 690 V / rated value	A	630
• at AC-23 A		
• at 400 V / rated value	A	630
• at 500 V / rated value	A	315
• at 690 V / rated value	A	315
• at AC-3 / at 400 V		
• rated value	A	630
<b>Operating voltage / for DC / rated value</b>	V	440
<b>Operating voltage / at 50/60 Hz / for AC / rated value</b>	V	690

#### Auxiliary circuit:

<b>Number of NC contacts / for auxiliary contacts</b>		0
<b>Number of NO contacts / for auxiliary contacts</b>		0
<b>Number of change-over switches / for auxiliary contacts</b>		0

### Installation/mounting/dimensions:

<b>Protection against electrical shock</b>		finger-safe
<b>Design of the load switch</b> <ul style="list-style-type: none"><li>• Strip form</li></ul>		No
<b>Type of the driving mechanism</b> <ul style="list-style-type: none"><li>• motor drive</li></ul>		No
<b>Type of mounting</b> <ul style="list-style-type: none"><li>• Rail installation</li><li>• front mounting with central fixation</li><li>• front mounting with 4-hole fixation</li></ul>		floor mounting No No No
<b>Width</b>	mm	209
<b>Height</b>	mm	278
<b>Depth</b>	mm	521


### Connections:

<b>Conductor cross section that can be connected</b> <ul style="list-style-type: none"><li>• for main contacts</li><li>• stranded</li></ul>	/ mm <sup>2</sup>	480
---	-------------------	-----

### Ambient conditions:

<b>Ambient temperature</b> <ul style="list-style-type: none"><li>• during operating</li><li>• during storage</li></ul>	°C	-20 ... +55
	°C	-50 ... +80
<b>Protection class IP</b>		IP00
<b>Verification of suitability</b>		CE

### Certificates/approvals:

General Product Approval	Test Certificates	other	
 GOST	<a href="#">Special Test Certificate</a>	<a href="#">Declaration of Conformity</a>	<a href="#">other</a>

### Further information:

#### Information- and Downloadcenter (Catalogs, Brochures,...)

<http://www.siemens.com/lowvoltage/catalogs>

#### Industry Mall (Online ordering system)

<http://www.siemens.com/lowvoltage/mall>

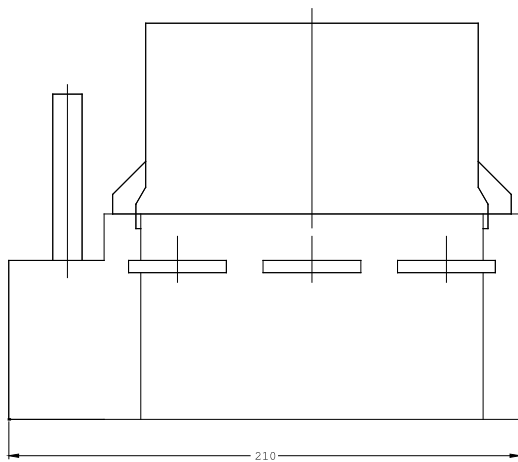
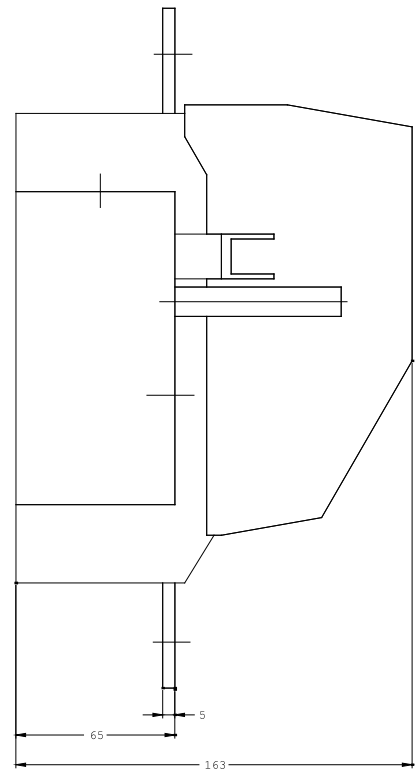
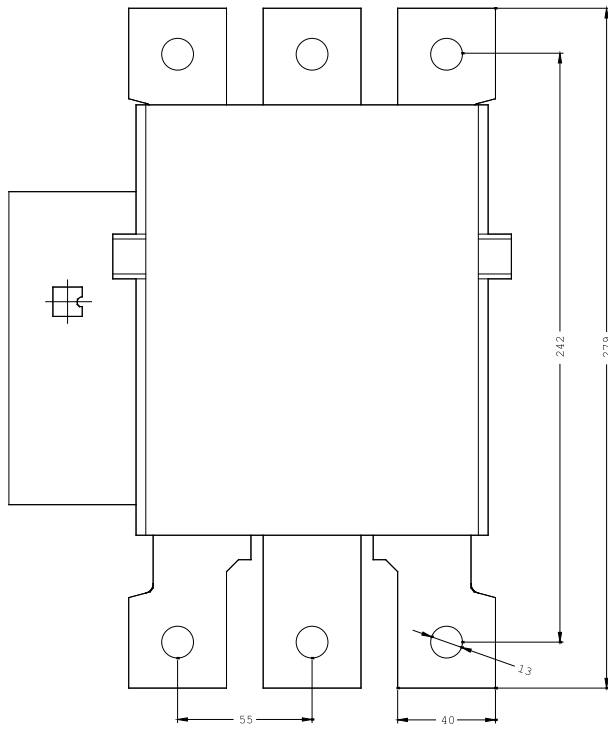
#### Service&Support (Manuals, Certificates, Characteristics, FAQs,...)

<http://support.automation.siemens.com/WW/view/en/3KE4430-0GA/all>

#### Image database (product images, 2D dimension drawings, 3D models, device circuit diagrams, ...)

[http://www.automation.siemens.com/bilddb/cax\\_en.aspx?mlfb=3KE4430-0GA](http://www.automation.siemens.com/bilddb/cax_en.aspx?mlfb=3KE4430-0GA)

Tender specifications  
[Datanorm GAEB81](#) [GAEB83](#) [RTF](#) [TXT](#)



last change:

Feb 18, 2013