



SWITCH DISCONNECTOR 3-POLE I=630A,
U=690V,
REAR ROTARY OPERATING MECHANISM WITHOUT
HANDLE

Similar to image

General technical details:

product brand name		SETRON
product designation		Switch Disconnecter 3KE
Number of poles		3
Acceptability for application		
• main switch		Yes
• switch disconnecter		Yes
• emergency stop switch		Yes
• safety cut-out switch		Yes
• maintenance/repair switch		Yes
Product extension		
• optional / motor drive		No
• optional / voltage trigger		No
Design of the operating mechanism		manual operating mechanism
Product equipment / interlock		No
Type from device		fixed mounting
type of voltage		AC/DC
Continuous current / rated value	A	630

Breaking capacity limit short-circuit current (I_{cu}) / at 400 V / rated value	A	50,000
• optional / interlock		Yes
• auxiliary switch		Yes
Active power loss		
• maximum	W	78
• per conductor / typical	W	26
Insulation voltage / rated value	V	1,000
Impulse voltage resistance / rated value	V	8,000
Item designation		
• according to DIN EN 61346-2		Q
• according to DIN 40719 extendable after IEC 204-2 / according to IEC 750		Q

Main circuit:

Design of the electrical connection		
• for main current circuit		flat connector
Number of poles / for main current circuit		3
Operating current		
• at AC-21		
• at 500 V / rated value	A	630
• at 690 V / rated value	A	630
• rated value	A	630
• at AC-22 A		
• at 400 V / rated value	A	630
• at 500 V / rated value	A	630
• at 690 V / rated value	A	630
• at AC-23 A		
• at 400 V / rated value	A	630
• at 500 V / rated value	A	315
• at 690 V / rated value	A	315
• at AC-3 / at 400 V		
• rated value	A	630
Operating voltage / for DC / rated value	V	440
Operating voltage / at 50/60 Hz / for AC / rated value	V	690

Auxiliary circuit:

Number of NC contacts / for auxiliary contacts		0
Number of NO contacts / for auxiliary contacts		0
Number of change-over switches / for auxiliary contacts		0

Installation/mounting/dimensions:

Protection against electrical shock		finger-safe
Design of the load switch • Strip form		No
Type of the driving mechanism • motor drive		No
Type of mounting • Rail installation • front mounting with central fixation • front mounting with 4-hole fixation		floor mounting No No No
Width	mm	208
Height	mm	278
Depth	mm	322


Connections:

Conductor cross section that can be connected • for main contacts • stranded	/ mm ²	480
---	-------------------	-----

Ambient conditions:

Ambient temperature • during operating • during storage	°C	-20 ... +55 °C -50 ... +80
Protection class IP		IP00
Verification of suitability		CE

Certificates/approvals:

General Product Approval	Test Certificates	other	
 GOST	Special Test Certificate	Declaration of Conformity	other

Further information:**Information- and Downloadcenter (Catalogs, Brochures,...)**

<http://www.siemens.com/lowvoltage/catalogs>

Industry Mall (Online ordering system)

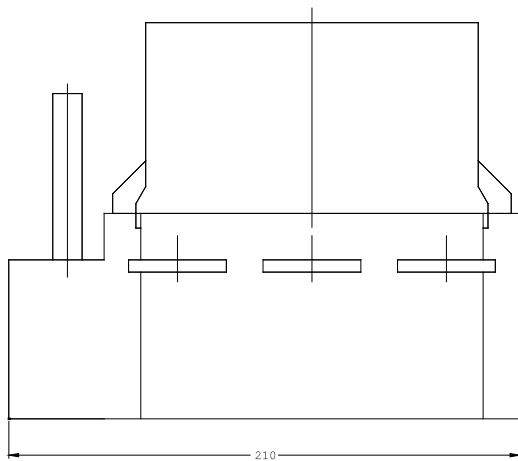
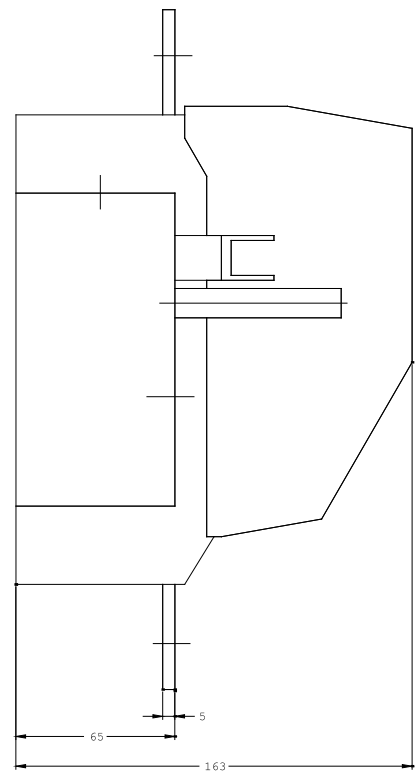
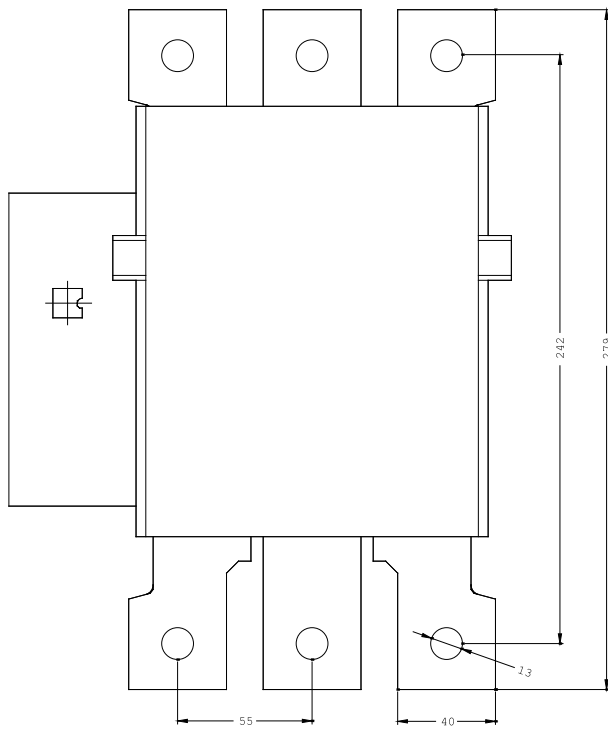
<http://www.siemens.com/lowvoltage/mall>

Service&Support (Manuals, Certificates, Characteristics, FAQs,...)

<http://support.automation.siemens.com/WW/view/en/3KE4430-0CA/all>

Image database (product images, 2D dimension drawings, 3D models, device circuit diagrams, ...)

http://www.automation.siemens.com/bilddb/cax_en.aspx?mlfb=3KE4430-0CA



last change:

Feb 18, 2013