



**Model Number**

**AIR30-8-HW-2500/38a/76a**

Active infrared scanner  
with 5 m fixed cable

**Features**

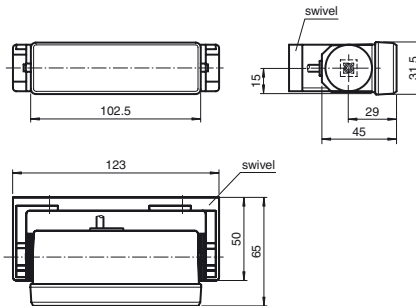
- Single-beam light scanner
- Can be used to monitor both main and ancillary closing edges
- Closing edge safety on revolving doors and carousel doors
- Accurate beam alignment thanks to finely bundled light beam
- Background evaluation operating mode: uses the background as a reference for detecting difficult objects

**Product information**

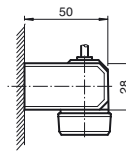
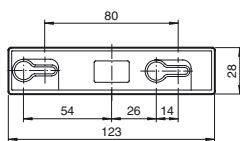
AIR30 is a series of active infrared scanners with excellent optical properties for monitoring closing edges in a wide range of door systems. The diverse range of housings and mounting options allow the devices to be adapted to suit a whole host of mounting conditions.

Release date: 2019-12-18 11:09 Date of issue: 2019-12-18 11:09 119605\_eng.xml

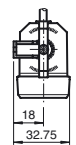
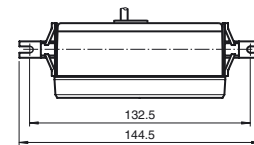
**Dimensions**



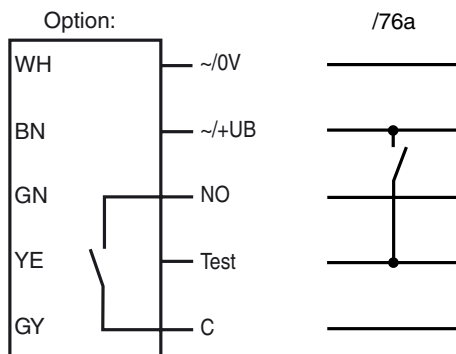
Mounting dimensions for swivel



Mounting dimensions with mounting bracket set AIR30

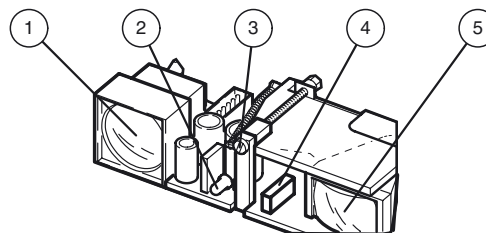


**Electrical connection**



**Note:**  
Test input can not be used, if sensor is supplied with AC voltage!

**Indicators/operating means**



1	Transmitter
2	Indication-LED
3	Detection range adjuster
4	Light / Dark switch
5	Receiver

**Technical data****General specifications**

Detection range min.	100 ... 1000 mm
Detection range max.	100 ... 2500 mm
Light source	IREd
Light type	modulated infrared light
Black/White difference (6 %/90 %)	≤ 400 mm at a distance of 2000 mm
Transmitter frequency	1800 Hz
Operating mode	Background evaluation
Diameter of the light spot	50 mm at 2000 mm sensor range
Angle of divergence	approx. 1.4 °
Accessories provided	Swivel bracket, Mounting bracket

**Functional safety related parameters**

MTTF <sub>d</sub>	1050 a
Mission Time (T <sub>M</sub> )	20 a
Diagnostic Coverage (DC)	90 %

**Indicators/operating means**

Function indicator	LED red: lights up when output is active
Control elements	Sensing range adjuster, light-on/dark-on changeover switch
Factory setting	light on

**Electrical specifications**

Operating voltage	U <sub>B</sub>	10 ... 48 V DC / 11 ... 36 V AC
No-load supply current	I <sub>0</sub>	100 mA

**Input**

Test input	emitter deactivation at +U <sub>B</sub>
------------	---

**Output**

Switching type	light/dark on, switchable	
Signal output	relay, 1 NO	
Switching voltage	≤ 50 V AC / 24 V DC	
Switching current	≤ 200 mA AC / 1 A DC	
Response time	50 ms	
De-energized delay	t <sub>off</sub>	approx. 200 ms

**Standard conformity**

Standards	EN 60947-5-2
Standards 2	EN 61000-6-2 without EN 61000-4-5, EN 61000-4-11
Standards 3	EN 61000-6-3

**Ambient conditions**

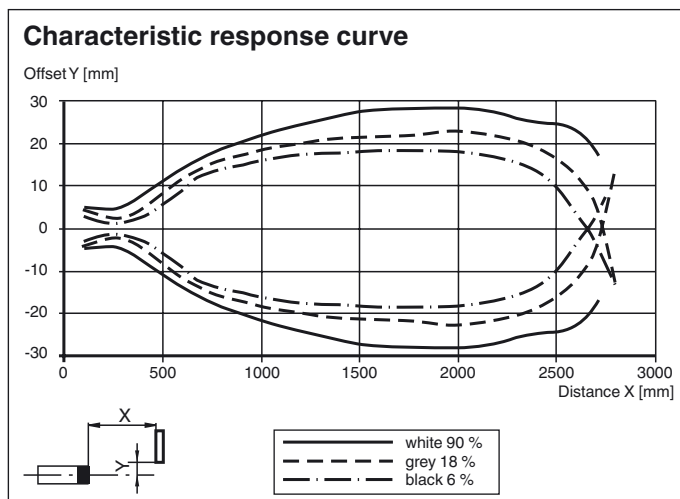
Ambient temperature	-20 ... 60 °C (-4 ... 140 °F)
Storage temperature	-20 ... 75 °C (-4 ... 167 °F)

**Mechanical specifications**

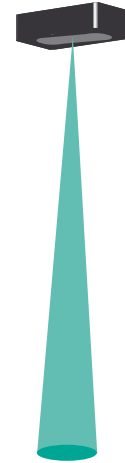
Degree of protection	IP52
Connection	5 m fixed cable
Material	
Housing	plastic
Optical face	Luran®
Mass	50 g

**Approvals and certificates**

CCC approval	Certified by China Compulsory Certification (CCC)
--------------	---

**Curves/Diagrams****Typical applications**

- Monitoring closing edges and crushing points on revolving doors and carousel doors
- Door monitoring system in local public transportation

**Detection area****Accessories****UP-Einbaurahmen**

Mounting frame for sensors in the AIR30 and PROSCAN series

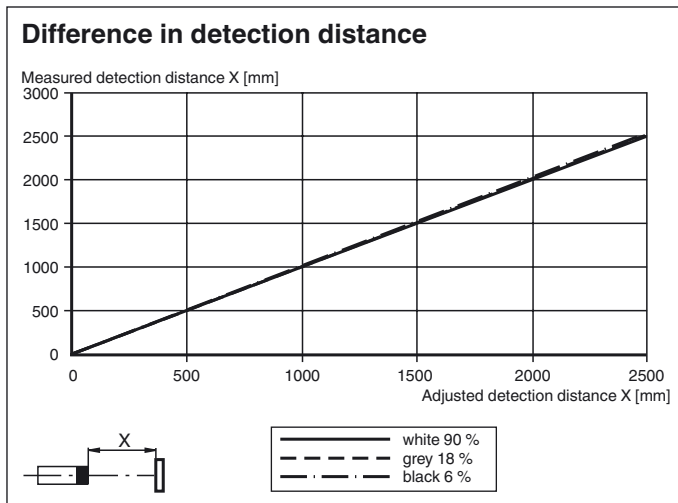
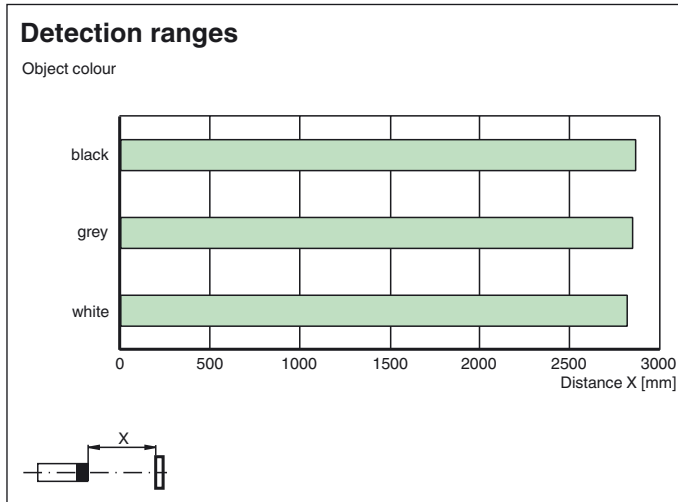
**Flush Mounting AIR30**

Installation cover for AIR30 series sensors

**Wetterhaube AIR30**

Weather hood for series AIR30

Other suitable accessories can be found at [www.pepperl-fuchs.com](http://www.pepperl-fuchs.com)



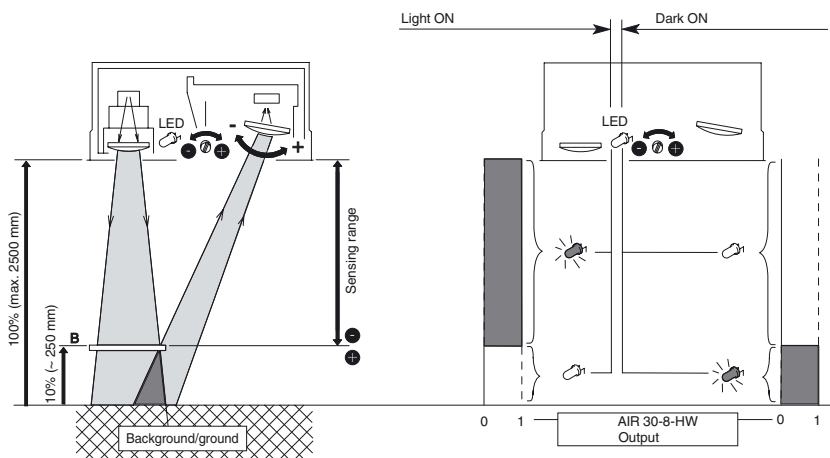
## Operating principle

Active infrared scanners detect people and objects using short-wave infrared radiation according to the triangulation principle. A switch signal is tripped if the infrared beam emitted is reflected by an object within the specified sensing range. Where background evaluation is activated, the background (e.g. ground) is used as a reflector.

This allows reflective or shiny objects, such as vehicles and objects located close to the surface, to be detected reliably and in full.

### Operating principle Background evaluation

Object in sensing field:



Release date: 2019-12-18 11:09 Date of issue: 2019-12-18 11:09 119605\_eng.xml

Refer to "General Notes Relating to Pepperl+Fuchs Product Information".