

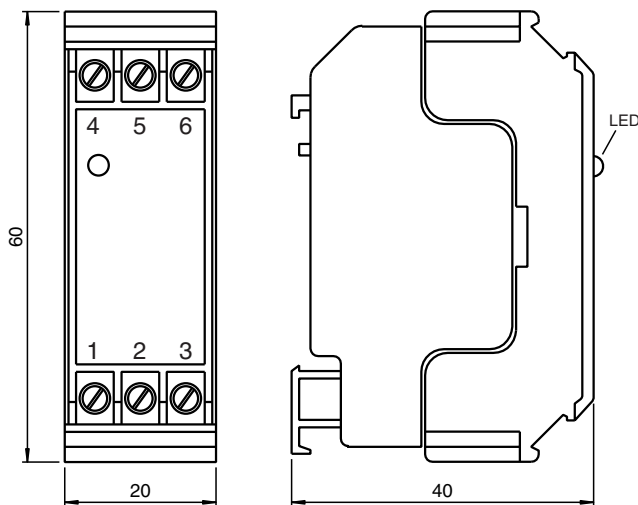
Sensor output interface terminal KCD2-E2L

- 1-channel terminal amplifier
- NAMUR sensor input
- DC 24 V supply voltage
- Standard interface for prevention of signal transmission errors
- Switching status indicator, yellow LED
- Lead breakage monitoring: The lead breakage monitoring can be disconnected by bridging terminals 1 and 3
- Short-circuit proof electronic output
- Low noise sensitivity
- Compact terminal housing
- Clips onto standard 35 mm rail to DIN EN 50 022
- Degree of protection IP20

Sensor output interface terminal with lead breakage monitoring



Dimensions



Technical Data

Functional safety related parameters

MTTF_d 1837 a

Indicators/operating means

LED yellow switch output
lead breakage: LED off, output locked

Electrical specifications

Operating voltage U_B 10 ... 30 V DC

Ripple ≤ 10 %

Release date: 2020-03-20 Date of issue: 2020-03-26 Filename: 018358_eng.pdf

Refer to "General Notes Relating to Pepperl+Fuchs Product Information".

Pepperl+Fuchs Group
www.pepperl-fuchs.com

USA: +1 330 486 0001
fa-info@us.pepperl-fuchs.com

Germany: +49 621 776 1111
fa-info@de.pepperl-fuchs.com

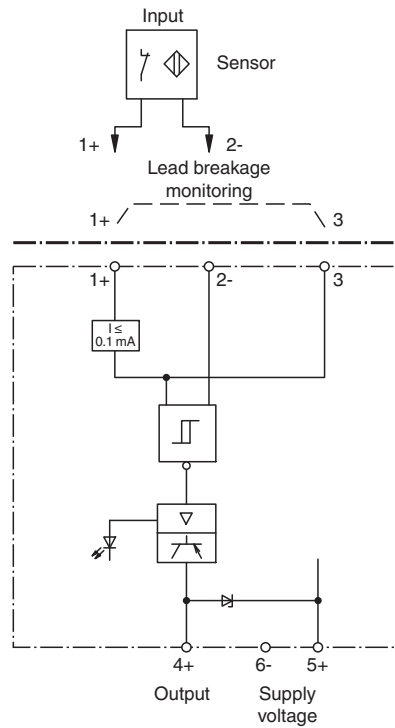
Singapore: +65 6779 9091
fa-info@sg.pepperl-fuchs.com

 PEPPERL+FUCHS

Technical Data

Operating current	I_B	approx. 22 mA
Input		
Connection		terminals 1+, 2-
Connectable sensor types		NAMUR
Pulse length/pulse interval		≥ 0.5 ms / ≥ 0.5 ms
Short-circuit current		approx. 8 mA
Sensor supply		8 V DC
Switching point		1.2 ... 2.1 mA hysteresis approx. 0.2 mA
Line fault detection		with
Trip value		1 kHz
Output		
Connection		terminal 4+
Current		200 mA short-circuit protected
Transistor		PNP
Signal level		$U_B - 1.1V$
Transfer characteristics		
Mode of operation		NO contact
Switching frequency		1 kHz
Directive conformity		
Electromagnetic compatibility		
Directive 2014/30/EU		EN 61326-1:2013
Standard conformity		
Degree of protection		EN 60529:2000
Noise immunity		EN 61326-1:2013
Ambient conditions		
Ambient temperature		-25 ... 70 °C (-13 ... 158 °F)
Storage temperature		-25 ... 85 °C (-13 ... 185 °F)
Mechanical specifications		
Degree of protection		IP20
Connection		self-opening apparatus connection terminals, max. core cross-section 0.34 ... 2.5 mm ²
Mass		60 g
Dimensions		20x60x40 (in mm)

Connection



Release date: 2020-03-20 Date of issue: 2020-03-26 Filename: 018358_eng.pdf

Connection

For lead break monitoring you must switch a resistance of 10 kOhm parallel to the contact locally, if you use a mechanical contact as an emitter.