



**Model Number**

**RJ15-14-N**

**Features**

- 15 mm inside diameter

**Technical Data**

**General specifications**

Switching function	Normally closed (NC)
Output type	NAMUR
Inside diameter	15 mm
Measuring cylinder	9S20K
Diameter	3 mm
Length	6 mm
Output type	2-wire

**Nominal ratings**

Nominal voltage	$U_o$	8.2 V ( $R_i$ approx. 1 k $\Omega$ )
Operating voltage	$U_B$	5 ... 25 V
Switching frequency	f	0 ... 1500 Hz
Current consumption		
Measuring plate not detected		$\geq 3$ mA at nominal voltage
Measuring plate detected		$\leq 1$ mA at nominal voltage

**Functional safety related parameters**

MTTF <sub>d</sub>	10800 a
Mission Time (T <sub>M</sub> )	20 a
Diagnostic Coverage (DC)	0 %

**Ambient conditions**

Ambient temperature	-25 ... 70 °C (-13 ... 158 °F)
---------------------	--------------------------------

**Mechanical specifications**

Connection type	cable PVC , 2 m
Core cross-section	0.14 mm <sup>2</sup>
Housing material	PBT
Degree of protection	IP67
Cable	
Bending radius	> 10 x cable diameter

**General information**

Use in the hazardous area	see instruction manuals
Category	2G

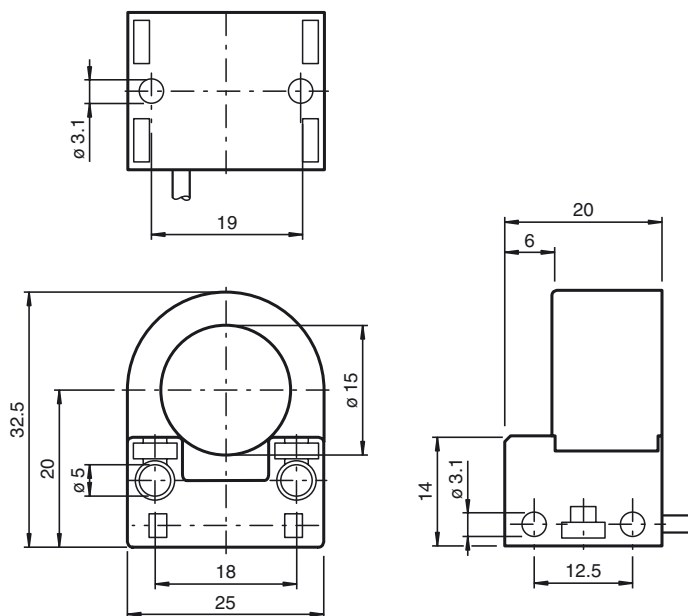
**Compliance with standards and directives**

Standard conformity	
NAMUR	EN 60947-5-6:2000 IEC 60947-5-6:1999
Standards	EN 60947-5-2:2007 EN 60947-5-2/A1:2012 IEC 60947-5-2:2007 IEC 60947-5-2 AMD 1:2012

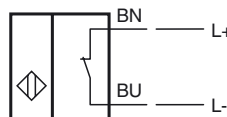
**Approvals and certificates**

UL approval	cULus Listed, General Purpose
CSA approval	cCSAus Listed, General Purpose

**Dimensions**



**Electrical Connection**



Release date: 2019-05-15 16:52 Date of issue: 2019-05-15 106555\_eng.xml

**Equipment protection level Gb**

CE marking		CE 0102
ATEX marking		II 2G Ex ia IIC T6...T1 Gb The Ex-related marking can also be printed on the enclosed label.
Standards		EN 60079-0:2012+A11:2013, EN 60079-11:2012 Ignition protection "Intrinsic safety" Use is restricted to the following stated conditions
Appropriate type		RJ15-...-N...
Effective internal capacitance	$C_i$	$\leq 130 \text{ nF}$ ; a cable length of 10 m is considered.
Effective internal inductance	$L_i$	$\leq 20 \text{ }\mu\text{H}$ ; a cable length of 10 m is considered.
Maximum permissible ambient temperature $T_{amb}$		Details of the correlation between the type of circuit connected, the maximum permissible ambient temperature, the temperature class, and the effective internal reactance values can be found on the EU-type examination certificate.
<b>Special conditions</b>		