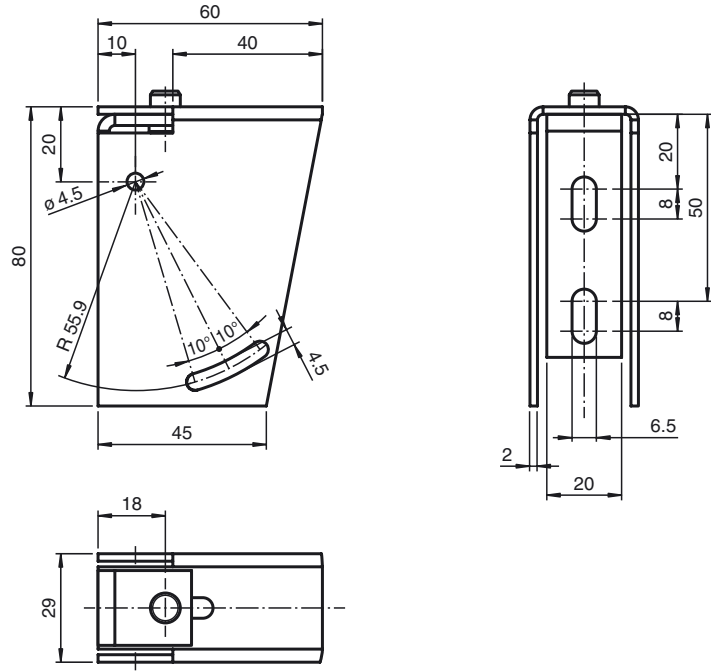




Dimensions



Model Number

OMH-RL31-07

Mounting bracket including adjustment

Features

- Simple installation and exact setting
- Solid fixture for rear panel mounting
- Infinitely variable $\pm 10^\circ$ horizontal
- Infinitely variable $\pm 90^\circ$ vertical

Mounting bracket for series 31 sensors

Technical data

Mechanical specifications

Material	aluminum
Mass	approx. 160 g
Mounting	Mounting accessories included

Suitable series

Series	Series 31
--------	-----------

Release date: 2016-06-15 09:42 Date of issue: 2016-07-11 292771_eng.xml