



### Model Number

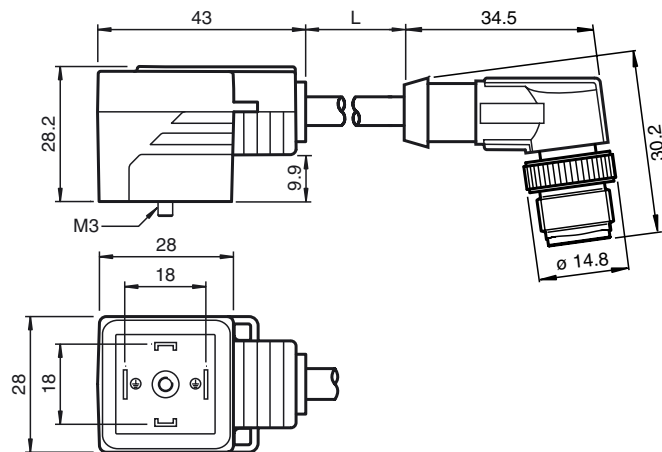
**VMA-2+P-0,6M-PVC-V1-W**

Valve connector, Form A, 2+PE, PVC cable, M12 plug

### Features

- Valve connector according EN 175301-803 A/ISO 4400 (previously DIN 43650)
- Moulded seal
- freely selectable cable models due to bridged protective earth
- Flame resistant cable

### Dimensions



### Technical data

#### General specifications

Number of pins 2 + PE

#### Electrical specifications

Operating voltage  $U_B$  250 V AC/DC

Operating current  $I_B$  max. 4 A

Volume resistance < 10 m $\Omega$

#### Ambient conditions

Ambient temperature Body: -25 ... 80 °C (-13 ... 176 °F)  
cable, flexing: -20 ... 80 °C (-4 ... 176 °F)  
cable, fixed: -40 ... 80 °C (-40 ... 176 °F)

Pollution degree 3

#### Mechanical specifications

Degree of protection IP65/IP67

Connection Valve connector Form A

#### Material

Contacts CuSn

Contact surface Sn

Body Valve Connector Cordset TPU, black  
Body TPU, black

Cable PVC

Core insulation PVC

#### Cable

Sheath diameter Ø 4.8 mm

Bending radius > 5 x cable diameter, moving  
> 10 x cable diameter, fixed

Color black

Cores 3 x 0.5 mm<sup>2</sup>, 20 AWG

Conductor construction 28 x 0.15 mm Ø

Length L 0.6 m

### Electrical connection

