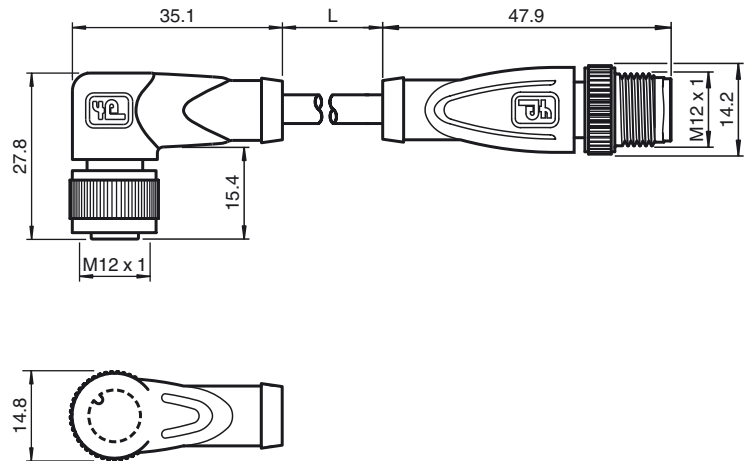




Dimensions



Model Number

V15-W-E8-1M-PUR-V15-G

Double-ended cordset, M12 to M12, LED, PUR cable, 5-pin

Features

- Built-in LED, as operating and function indicator
- Knurled nut suitable for tool assembly
- Flame resistant cable
- Halogen-free
- Resistant to microbes and hydrolysis
- Gold plated contacts

Technical data

General specifications

Number of pins 5

Indicators/operating means

LED green Operating display
 LED yellow Functional display NO contact 4
 LED red Functional display NO contact 2

Electrical specifications

Operating voltage U_B max. 24 V DC \pm 15%
 Operating current I_B max. 4 A
 Volume resistance $<$ 5 m Ω

Ambient conditions

Ambient temperature Body: -40 ... 90 °C (-40 ... 194 °F)
 cable, fixed: -40 ... 80 °C (-40 ... 176 °F)
 cable, flexing: -25 ... 80 °C (-13 ... 176 °F)
 Pollution degree 3

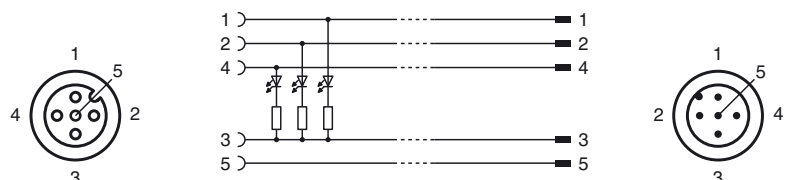
Mechanical specifications

Contact elements spring-loaded contact socket
 Pin diameter 1 mm
 Degree of protection IP67 / IP68 / IP69k
 Material
 Contacts CuSn / Au
 Contact surface Au
 Body TPU, transparent/black
 Cable PUR
 Slotted nut Diecast zinc
 Sleeve connector Diecast zinc
 Core insulation PP
 Cable fine-strand, flexible
 Sheath diameter \varnothing 4.8 mm
 Bending radius $>$ 10 x cable diameter, moving
 Color grey
 Number of cores 5
 Core cross-section 0.34 mm²
 Conductor construction 19 x 0.15 mm \varnothing
 Length L 1 m
 Flammability
 Contact carrier 94 HB
 Housing 94 V-2
 Cable FT2

Compliance with standards and directives

Standard conformity
 Degree of protection EN 60529:2000

Electrical connection



Release date: 2017-02-24 09:32 Date of issue: 2017-02-24 290589_eng.xml



Standards	IEC 61076-2-101:2008
Halogen-free	IEC 60754-1:1994/DIN VDE 0472-815

Release date: 2017-02-24 09:32 Date of issue: 2017-02-24 290589_eng.xml