



Model Number

ODZ-MAC335-TRIGBOX

Trigger box for fixed mounted readers

Features

- Trigger function
- Separate RS 232 connection
- Degree of protection IP40

Accessories

ODZ-MAC-PWR-24V

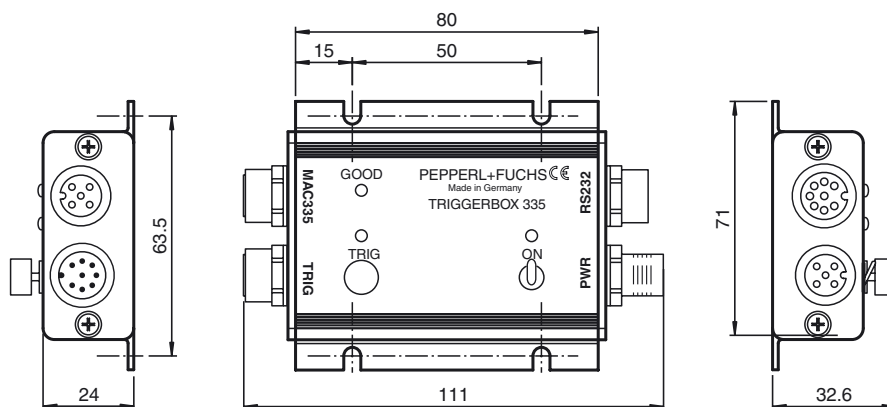
24 V DC power supply

V15S-G-0,5M-PUR-ABG-SUBD9

V19-G-BK1,5M-PUR-U/ABG-V19-G

Connection cable, M12, shielded

Dimensions



Technical data

Indicators/operating means

| | |
|---------------------|--------------------|
| Operation indicator | Power on LED green |
| Function indicator | Trigger LED yellow |
| Status indicator | Good LED yellow |
| Key | Trigger |
| Toggle switch | ON/OFF switch: |

Electrical specifications

| | | |
|-------------------|-------|-------------------------|
| Operating voltage | U_B | 24 V DC \pm 15 % SELV |
| Operating current | I_B | max. 50 mA |

Interface

| | |
|---------------|-----------------------------|
| Physical | 1 x RS 232 |
| Protocol | ASCII |
| Transfer rate | 9600 Bit/s ... 115200 Bit/s |

Input

| | |
|---------------|---|
| Input voltage | 24 V DC \pm 5 % |
| Number/Type | 1 input for 2- or 3- wire sensors (PNP), DC |
| Input current | approx. 10 mA at 24 V DC |

Ambient conditions

| | |
|---------------------|-------------------------------|
| Ambient temperature | 0 ... 60 °C (32 ... 140 °F) |
| Storage temperature | -20 ... 70 °C (-4 ... 158 °F) |

Mechanical specifications

| | |
|----------------------|--|
| Degree of protection | IP40 |
| Connection | 8-pin, M12x1 connector, standard (supply+IO) , 4-pin, M12x1 socket, (RS 232) , 4-pin, M12x1 socket, (Trigger) , 8-pin, M12x1 socket, (MAC335) |
| Material | |
| Housing | black anodized aluminum |
| Mass | approx. 139 g |

General information

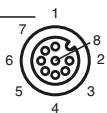
| | |
|-------------------|---|
| Scope of delivery | 24 V DC power supply ; Adapter cable, M12 x 1, to sub-D, 9-pin ; Connection cable, M12 to M12, PUR cable 8-pin |
|-------------------|---|

Compliance with standards and directives

| | |
|--------------------------|------------------------|
| Directive conformity | |
| EMC Directive 89/336/EEC | EN 61326, EN 61000-6-4 |
| Standard conformity | |
| Noise immunity | EN 61326:2002-03 |
| Degree of protection | EN 60529 |

Electrical connection

MAC335



Pin Signal

- 1 TRIGGER
- 2 +UB
- 3 RX RS232
- 4 24 V I/O
- 5 GND I/O
- 6 GOOD
- 7 GND
- 8 TX RS232

RS232



Pin Signal

- 1 NC
- 2 TX RS232
- 3 GND
- 4 RX RS232

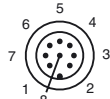
TRIG



Pin Signal

- 1 +UB
- 2 NC
- 3 GND
- 4 TRIGGER

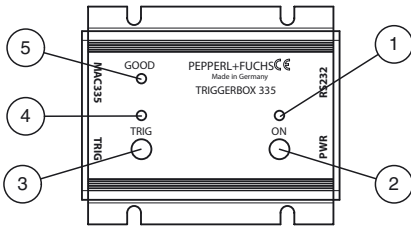
PWR



Pin Signal

- 1 TRIGGER
- 2 +UB
- 3 RX RS232
- 4 24 V I/O
- 5 GND I/O
- 6 GOOD
- 7 GND
- 8 TX RS232

Indicators / operating means



| | | |
|---|----------------------------|--------|
| 1 | Operating indicator | green |
| 2 | ON/OFF switch | |
| 3 | Trigger button | |
| 4 | Trigger function indicator | yellow |
| 5 | Status indication: GOOD | yellow |