



Model Number

SJ15-E2-V1-Y40122

Features

- Comfort series
- 2. actual frequency

Technical Data

General specifications

| | | |
|------------------------------|--------------|----|
| Switching element function | PNP | NO |
| Slot width | 15 mm | |
| Depth of immersion (lateral) | 17 ... 20 mm | |
| Installation | non-flush | |
| Output polarity | DC | |

Nominal ratings

| | | |
|-----------------------------|----------------------------|--------------|
| Operating voltage | U_B | 10 ... 30 V |
| Switching frequency | f | 0 ... 500 Hz |
| Reverse polarity protection | reverse polarity protected | |
| Short-circuit protection | pulsing | |
| Voltage drop | U_d | ≤ 3 V |
| Operating current | I_L | 0 ... 200 mA |
| No-load supply current | I_0 | ≤ 20 mA |

Functional safety related parameters

| | |
|--------------------------------|--------|
| MTTF _d | 1500 a |
| Mission Time (T _M) | 20 a |
| Diagnostic Coverage (DC) | 0 % |

Ambient conditions

| | |
|---------------------|--------------------------------|
| Ambient temperature | -25 ... 70 °C (-13 ... 158 °F) |
|---------------------|--------------------------------|

Mechanical specifications

| | |
|-------------------|--------------------------|
| Connection type | Connector M12 x 1, 4-pin |
| Housing material | PBT |
| Protection degree | IP67 |

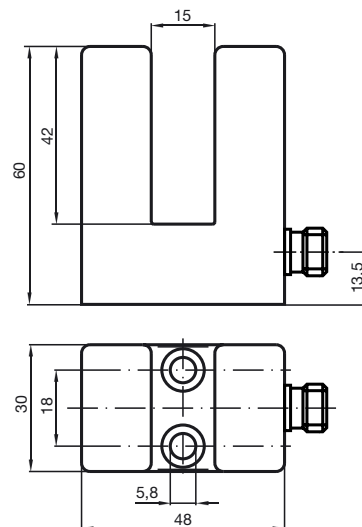
Compliance with standards and directives

| | |
|---------------------|---|
| Standard conformity | |
| Standards | EN 60947-5-2:2007 IEC 60947-5-2:2007 |

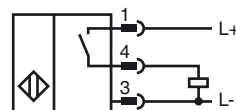
Approvals and certificates

| | |
|--------------|--|
| UL approval | cULus Listed, General Purpose |
| CSA approval | cCSAus Listed, General Purpose |
| CCC approval | CCC approval / marking not required for products rated ≤ 36 V |

Dimensions



Electrical Connection



Pinout



Wire colors in accordance with EN 60947-5-2

| | | |
|---|----|---------|
| 1 | BN | (brown) |
| 2 | WH | (white) |
| 3 | BU | (blue) |
| 4 | BK | (black) |