



Price* : 75.51 GBP



Main

| | |
|------------------------------------|--|
| Range of product | OsiSense XS |
| Series name | Application |
| Sensor type | Inductive proximity sensor |
| Device application | Factor 1 (Fe/Nfe) |
| Sensor name | XS1 |
| Sensor design | Cylindrical M18 |
| Size | 70 mm |
| Body type | Fixed |
| Detector flush mounting acceptance | Flush mountable |
| Material | Metal |
| Enclosure material | Nickel plated brass |
| Type of output signal | Discrete |
| Wiring technique | 4-wire |
| [Sn] nominal sensing distance | 5 mm |
| Discrete output function | 1 NO or 1 NC programmable |
| Output circuit type | DC |
| Discrete output type | PNP and NPN |
| Electrical connection | Male connector M12, 4 pins |
| [Us] rated supply voltage | 12...24 V DC with reverse polarity protection |
| Switching capacity in mA | <= 200 mA with overload and short-circuit protection |
| IP degree of protection | IP67 conforming to IEC 60529 |

Complementary

| | |
|----------------|---------|
| Thread type | M18 x 1 |
| Detection face | Frontal |
| Front material | PPS |

| | |
|------------------------|------------------------------|
| Operating zone | 0...4 mm |
| Differential travel | 1...15% of Sr |
| Repeat accuracy | 3% of Sr |
| Status LED | Output state: 1 LED (yellow) |
| Supply voltage limits | 10...38 V DC |
| Switching frequency | <= 1000 Hz |
| Maximum voltage drop | <2.6 V (closed) |
| Current consumption | 0...15 mA no-load |
| Maximum delay first up | 10 ms |
| Maximum delay response | 0.3 ms |
| Maximum delay recovery | 0.7 ms |
| Marking | CE |
| Threaded length | 52 mm |
| Height | 18 mm |
| Length | 70 mm |

Environment

| | |
|------------------------|-----------|
| Product certifications | CSA UL |
|------------------------|-----------|

Offer Sustainability

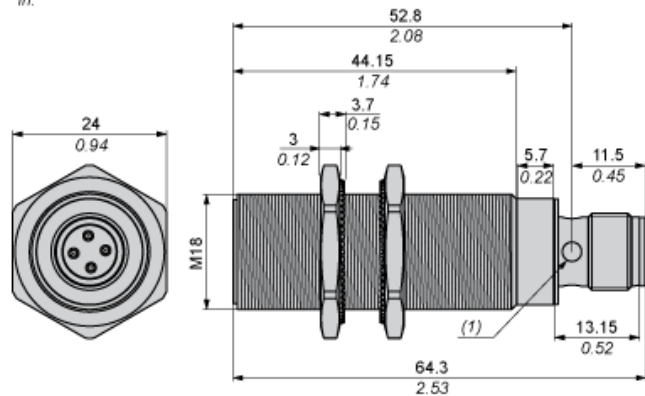
| | |
|----------------------------|---|
| Sustainable offer status | Green Premium product |
| EU RoHS Directive | Pro-active compliance (Product out of EU RoHS legal scope) EU RoHS Declaration |
| Mercury free | Yes |
| RoHS exemption information | Yes |
| Environmental Disclosure | Product Environmental Profile |
| Circularity Profile | End of Life Information |

Contractual warranty

| | |
|----------|-----------|
| Warranty | 18 months |
|----------|-----------|

Dimensions

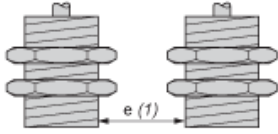
mm
in.



(1) LED

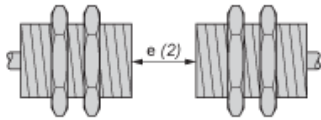
Minimum Mounting Distances

Side by side



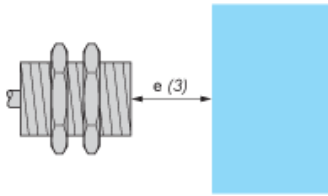
$e (1) \geq 10 \text{ mm}/0.39 \text{ in.}$

Face to face



$e (2) \geq 60 \text{ mm}/2.36 \text{ in.}$

Facing a metal object



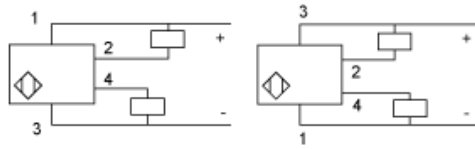
$e (3) \geq 15 \text{ mm}/0.60 \text{ in.}$

Wiring Schemes

M12 Connector

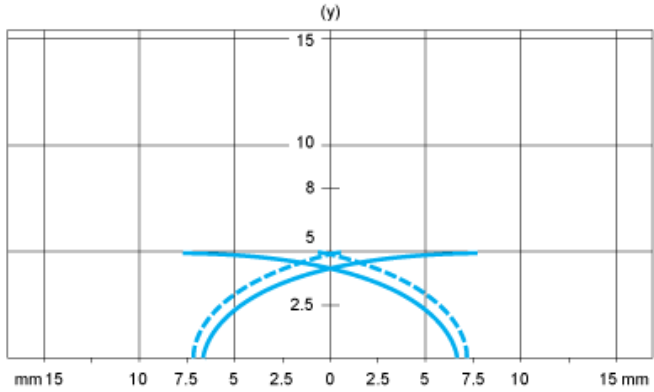


4-Wire DC, PNP/NPN, NO or NC output



Performance Curves

Standard Steel Target : 18x18x1 mm



- (1) Pick-up points
- (2) Drop-out points (object approaching from the side)
- (y) Sensing distance in mm