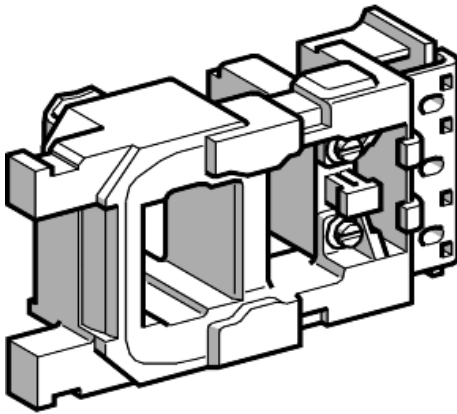




Price* : 91.19 GBP



Main

| | |
|------------------------------|---|
| Range | TeSys |
| Product or component type | Contactor coil |
| Device short name | LX0FG |
| Control circuit type | AC at 50...400 Hz DC standard |
| [Uc] control circuit voltage | 220...230 V AC 50...400 Hz 220...230 V DC |
| Average resistance | 26.27 Ohm latching at 20 °C 4729 Ohm unlatching at 20 °C |
| Product compatibility | CR1F185 |
| Operating time | 35...40 ms latching 50...100 ms unlatching |
| Mechanical durability | 1 Mcycles |
| Maximum operating rate | 120 cyc/h 40 °C |

Complementary

| | |
|--------------------------------|--|
| Control circuit voltage limits | Latching: 0.85...1.1 Uc Unlatching: 0.85...1.1 Uc |
|--------------------------------|--|

Environment

| | |
|----------------|---------|
| Product weight | 0.56 kg |
|----------------|---------|

Offer Sustainability

| | |
|--------------------------|---|
| Sustainable offer status | Green Premium product |
| RECh Regulation | REACH Declaration |
| REACH free of SVHC | Yes |
| EU RoHS Directive | Pro-active compliance (Product out of EU RoHS legal scope) EU RoHS Declaration |

| | |
|----------------------------|---|
| Toxic heavy metal free | Yes |
| Mercury free | Yes |
| RoHS exemption information | Yes |
| China RoHS Regulation | China RoHS declaration |
| Environmental Disclosure | Product Environmental Profile |
| Circularity Profile | End of Life Information |

Contractual warranty

| | |
|----------|-----------|
| Warranty | 18 months |
|----------|-----------|