



Price* : 1,520.00 GBP



Main

| | |
|------------------------------|--|
| Range of product | Altistart 48 |
| Product or component type | Soft starter |
| Product destination | Asynchronous motors |
| Product specific application | Heavy duty industry and pumps |
| Device short name | ATS48 |
| Power supply voltage | 208...690 V - 15...10 % |
| Motor power kW | 22 kW at 230 V for severe applications 30 kW at 230 V for standard applications 45 kW at 400 V for severe applications 45 kW at 440 V for severe applications 55 kW at 400 V for standard applications 55 kW at 440 V for standard applications 55 kW at 500 V for severe applications 55 kW at 525 V for severe applications 75 kW at 500 V for standard applications 75 kW at 525 V for standard applications 75 kW at 660 V for severe applications 75 kW at 690 V for severe applications 90 kW at 660 V for standard applications 90 kW at 690 V for standard applications |
| Motor power hp | 100 hp at 575 V for standard applications 25 hp at 208 V for severe applications 30 hp at 208 V for standard applications 30 hp at 230 V for severe applications 40 hp at 230 V for standard applications 60 hp at 460 V for severe applications 75 hp at 460 V for standard applications 75 hp at 575 V for severe applications |
| Power dissipation in W | 252 W for standard applications 322 W for standard applications |
| Utilisation category | AC-53A |
| Type of start | Start with torque control (current limited to 5 In) |
| Icl nominal current | 110 A for connection in the motor supply line for standard applications |

Disclaimer: This documentation is not intended as a substitute for and is not to be used for determining suitability or reliability of these products for specific user applications

110 A for connection in the motor supply line for severe applications

| | |
|-------------------------|------|
| IP degree of protection | IP20 |
|-------------------------|------|

Complementary

| | |
|------------------------------------|---|
| Assembly style | With heat sink |
| Function available | External bypass (optional) |
| Power supply voltage limits | 177...759 V |
| Power supply frequency | 50...60 Hz - 5...5 % |
| Power supply frequency limits | 47.5...63 Hz |
| Device connection | In the motor supply line |
| Factory setting current | 96 A |
| [Uc] control circuit voltage | 110 - 15 % to 230 + 10 %, 50/60 Hz |
| Control circuit consumption | 30 W |
| Discrete output number | 2 |
| Discrete output type | (LO1) logic output 0 V common configurable (LO2) logic output 0 V common configurable (R1) relay outputs fault relay NO (R2) relay outputs end of starting relay NO (R3) relay outputs motor powered NO |
| Output absolute accuracy precision | +/- 5 % |
| Minimum switching current | 10 mA at 6 V DC for relay outputs |
| Maximum switching current | Logic output 0.2 A at 30 V DC Relay outputs 1.8 A at 230 V AC inductive load, cos phi = 0.5 20 ms Relay outputs 1.8 A at 30 V DC inductive load, cos phi = 0.5 20 ms |
| Discrete input number | 5 |
| Discrete input type | PTC, 750 Ohm at 25 °C (Stop, Run, LI3, LI4) logic, <= 8 mA 4300 Ohm |
| Discrete input voltage | 24 V <= 30 V |
| Discrete input logic | Positive logic Stop, Run, LI3, LI4 at State 0: < 5 V and <= 2 mA at State 1: > 11 V, >= 5 mA |
| Starting current | 0.4...1.3 Icl adjustable |
| Analogue output type | Current output AO: 0-20 mA or 4-20 mA, impedance <500 Ohm |
| Communication port protocol | Modbus |
| Connector type | 1 RJ45 |
| Communication data link | Serial |
| Physical interface | RS485 multidrop |
| Transmission rate | 4800, 9600 or 19200 bps |
| Max nodes number | 31 |
| Protection type | Phase failure: line Thermal protection: motor Thermal protection: starter |
| Marking | CE |
| Type of cooling | Forced convection |
| Operating position | Vertical +/- 10 degree |
| Height | 290 mm |
| Width | 190 mm |
| Depth | 235 mm |
| Product weight | 8.3 kg |
| Motor power range AC-3 | 15...25 kW at 200...240 V 3 phases 30...50 kW at 200...240 V 3 phases 55...100 kW at 380...440 V 3 phases 55...100 kW at 480...500 V 3 phases |
| Motor starter type | Soft starter |

Environment

| | |
|-------------------------------|---|
| Electromagnetic compatibility | Conducted and radiated emissions level A conforming to IEC 60947-4-2 Conducted and radiated emissions level B conforming to IEC 60947-4-2 Damped oscillating waves level 3 conforming to IEC 61000-4-12 |
|-------------------------------|---|

Electrostatic discharge level 3 conforming to IEC 61000-4-2
 Immunity to electrical transients level 4 conforming to IEC 61000-4-4
 Immunity to radiated radio-electrical interference level 3 conforming to IEC 61000-4-3
 Voltage/current impulse level 3 conforming to IEC 61000-4-5

| | |
|---------------------------------------|--|
| Standards | EN/IEC 60947-4-2 |
| Product certifications | GOST TCF CCC SEPRO NOM 117 C-Tick CSA UL DNV |
| Vibration resistance | 1 gn (f= 13...200 Hz) conforming to EN/IEC 60068-2-6 1.5 mm (f= 2...13 Hz) conforming to EN/IEC 60068-2-6 |
| Shock resistance | 15 gn for 11 ms conforming to EN/IEC 60068-2-27 |
| Noise level | 58 dB |
| Pollution degree | Level 3 conforming to IEC 60664-1 |
| Relative humidity | 0...95 % without condensation or dripping water conforming to EN/IEC 60068-2-3 |
| Ambient air temperature for operation | 40...60 °C (with current derating of 2 % per °C) -10...40 °C (without) |
| Ambient air temperature for storage | -25...70 °C |
| Operating altitude | <= 1000 m without > 1000...2000 m with current derating of 2.2 % per additional 100 m |

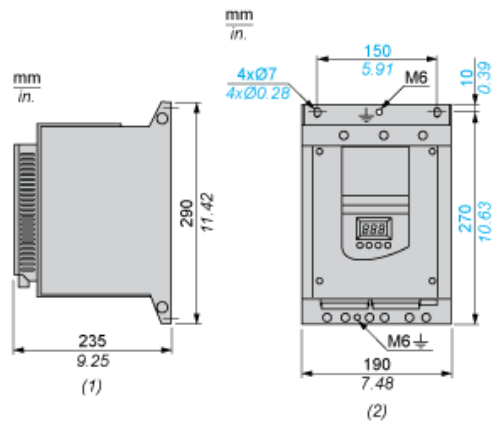
Offer Sustainability

| | |
|----------------------------|---|
| Sustainable offer status | Green Premium product |
| REACH Regulation | REACH Declaration |
| EU RoHS Directive | Pro-active compliance (Product out of EU RoHS legal scope) EU RoHS Declaration |
| Mercury free | Yes |
| RoHS exemption information | Yes |
| China RoHS Regulation | China RoHS declaration |
| Environmental Disclosure | Product Environmental Profile |
| Circularity Profile | End of Life Information |
| WEEE | The product must be disposed on European Union markets following specific waste collection and never end up in rubbish bins |

Contractual warranty

| | |
|----------|-----------|
| Warranty | 18 months |
|----------|-----------|

Dimensions



(1) Right View

(2) Front View

Clearance

