

Support terminal, black, spring-type terminal, for front plate mounting



Figure similar

<b>Product brand name</b>	SIRIUS ACT
<b>Product designation</b>	Support terminal
<b>Product type designation</b>	3SU1

General technical data	
<b>Suitability for integration</b>	yes
<b>Degree of pollution</b>	3
<b>Surge voltage resistance rated value</b>	6 kV
<b>Protection class IP</b>	
• of the enclosure	IP40
• of the terminal	IP20

Connections/Terminals	
<b>Type of electrical connection</b>	spring-loaded terminals
• of modules and accessories	Spring-type terminal

Ambient conditions	
<b>Ambient temperature</b>	
• during operation	-25 ... +70 °C




- during storage

-40 ... +80 °C

### Installation/ mounting/ dimensions

<b>Mounting type</b>	Front mounting
<ul style="list-style-type: none"> <li>• of modules and accessories</li> </ul>	
<b>Height</b>	36 mm
<b>Width</b>	9.8 mm
<b>Depth</b>	23.4 mm

### Certificates/approvals

General Product Approval	Declaration of Conformity	Test Certificates	other
 UL	 EAC	 EG-Konf.	<a href="#">Declaration of the Compliance with the order</a> <a href="#">Special Test Certificate</a> <a href="#">Confirmation</a>

### Further information

**Information- and Downloadcenter (Catalogs, Brochures,...)**

<http://www.siemens.com/industrial-controls/catalogs>

**Industry Mall (Online ordering system)**

<https://mall.industry.siemens.com/mall/en/en/Catalog/product?mlfb=3SU1400-1DA10-3AA0>

**Cax online generator**

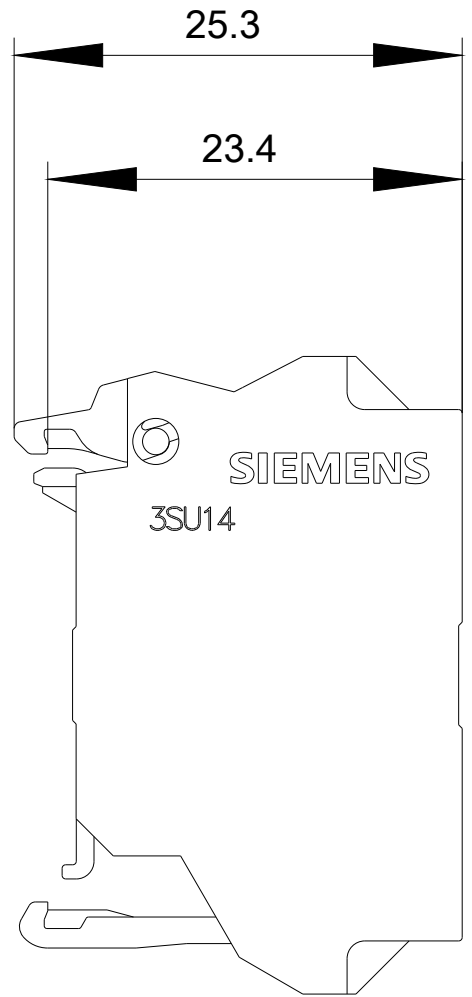
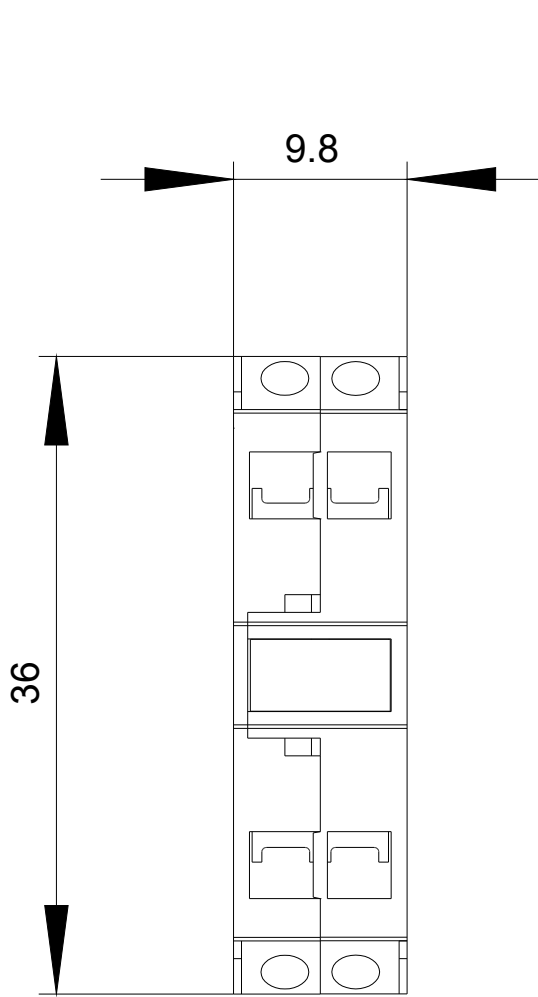
<http://support.automation.siemens.com/WW/CAXorder/default.aspx?lang=en&mlfb=3SU1400-1DA10-3AA0>

**Service&Support (Manuals, Certificates, Characteristics, FAQs,...)**

<https://support.industry.siemens.com/cs/ww/en/ps/3SU1400-1DA10-3AA0>

**Image database (product images, 2D dimension drawings, 3D models, device circuit diagrams, EPLAN macros, ...)**

[http://www.automation.siemens.com/bilddb/cax\\_de.aspx?mlfb=3SU1400-1DA10-3AA0&lang=en](http://www.automation.siemens.com/bilddb/cax_de.aspx?mlfb=3SU1400-1DA10-3AA0&lang=en)



last modified:

09/24/2018