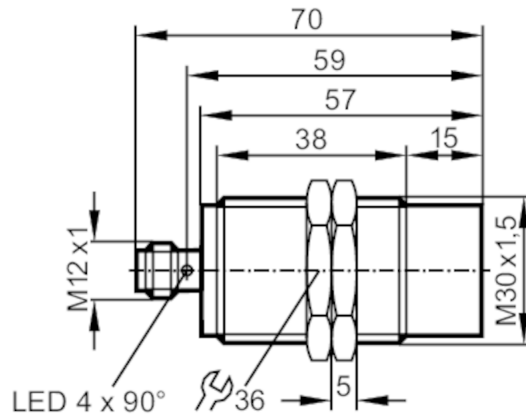


# II5913



## Inductive analogue sensor

IIK3015A1PKG/US



Electrical data		
Operating voltage	[V]	15...30 DC
Current consumption	[mA]	< 20
Protection class		II
Reverse polarity protection		yes
Outputs		
Analogue current output	[mA]	4...20; (linear; gradient: 1,143 mA/mm; for frontal approach and for target made of mild steel: 45 x 45 x 1 mm)
Max. load	[Ω]	500
Short-circuit protection		yes
Overload protection		yes
Detection zone		
Measuring range	[mm]	1...15
Accuracy / deviations		
Correction factor		steel: 1 / stainless steel: 0.7 / brass: 0.5 / aluminium: 0.4 / copper: 0.3
Linearity error of analogue output	[%]	± 1 %; (of IA max)
Repeatability analogue output	[%]	± 1 %; (of IA max)
Response times		
Response time	[ms]	< 20
Operating conditions		
Ambient temperature	[°C]	-25...80
Protection		IP 67
Tests / approvals		
EMC		EN 60947-5-2
MTTF	[years]	935

# II5913



## Inductive analogue sensor

IIK3015A1PKG/US

Mechanical data	
Weight [g]	143.2
Housing	threaded type
Mounting	non-flush mountable
Dimensions [mm]	M30 x 1.5 / L = 70
Thread designation	M30 x 1.5
Materials	housing: brass white bronze coated; sensing face: PBT

Displays / operating elements		
Display	within the operating range	1 x LED, yellow lights
	outside the operating range	1 x LED, yellow flashing

Accessories	
Accessories (supplied)	lock nuts: 2

Remarks	
Pack quantity	1 pcs.

### Electrical connection - plug

Connector: 1 x M12



### Connection

