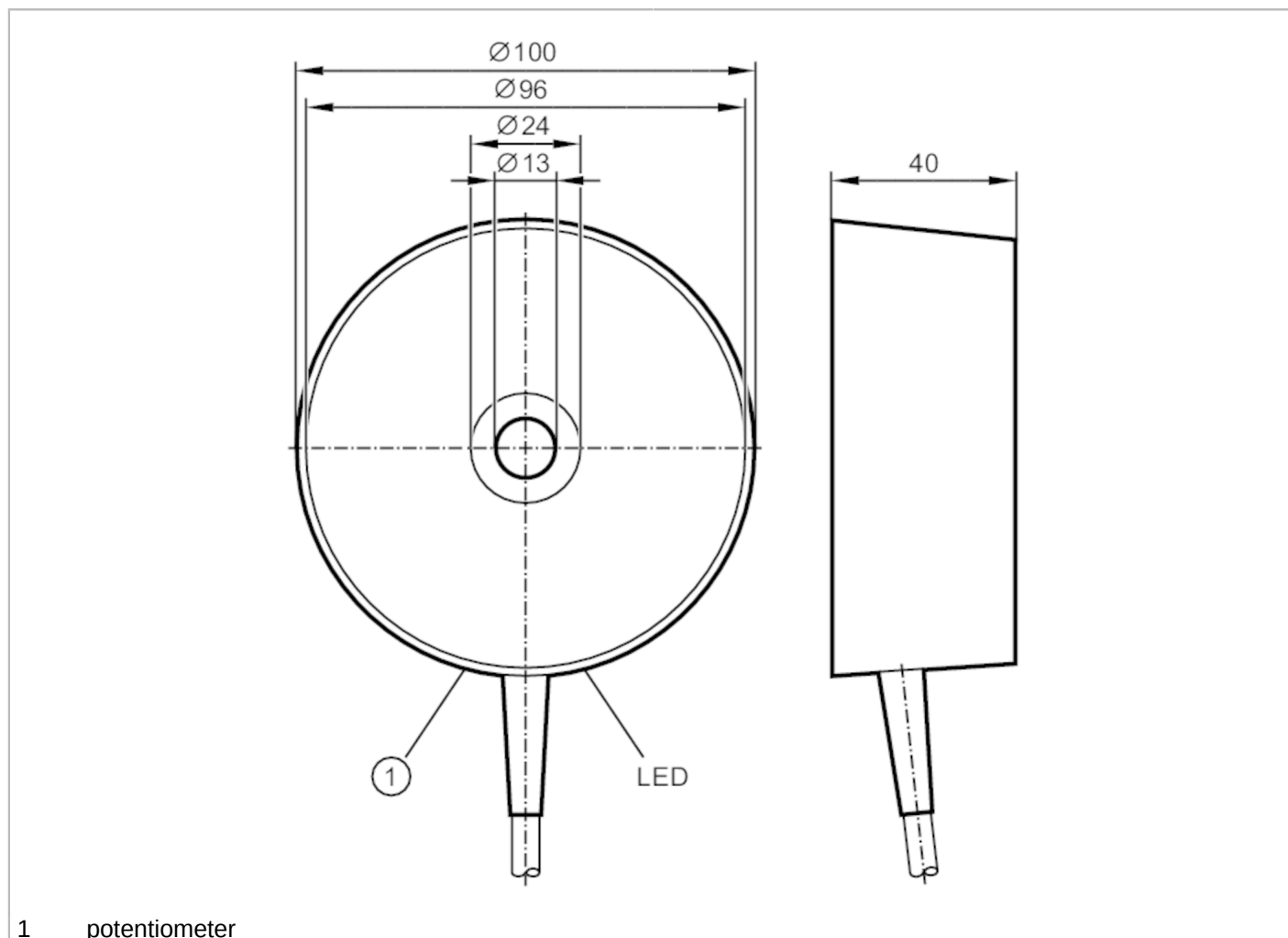


# I12006



## Inductive area sensor

SIT-2070-ABOW-1



1 potentiometer



### Electrical data

Frequency AC	[Hz]	47...63
Operating voltage	[V]	90...250 AC
Protection class		II
Reverse polarity protection		no

### Outputs

Output function		normally open
Max. voltage drop switching output AC	[V]	11
Minimum load current	[mA]	15
Max. leakage current	[mA]	6
Permanent current rating of switching output AC	[mA]	200; (250 (...50 °C))
Short-time current rating of switching output	[mA]	1500; (10 ms / 0,5 Hz)
Switching frequency AC	[Hz]	5
Short-circuit proof		no
Overload protection		no

# I12006



## Inductive area sensor

SIT-2070-ABOW-1

Detection zone		
Sensing range	[mm]	20...70
Sensing range adjustable		yes
Factory setting sensing range	[mm]	70
Real sensing range Sr	[mm]	70 ± 10 %
Accuracy / deviations		
Correction factor		steel: 1 / stainless steel: 0.7 / brass: 0.4 / aluminium: 0.3 / copper: 0.2
Hysteresis	[% of Sr]	< 20
Switch point drift	[% of Sr]	-15...15
Operating conditions		
Ambient temperature	[°C]	-20...70
Protection		IP 65
Tests / approvals		
EMC	EN 60947-5-2	
	EN 55011	class B
Mechanical data		
Weight	[g]	509.4
Housing		cylindrical
Mounting		non-flush mountable
Dimensions	[mm]	Ø 100
Materials		PBT
Displays / operating elements		
Display	switching status	1 x LED, yellow
Electrical connection		
Required protection		miniature fuse to IEC60127-2 sheet 1; ≤ 2 A; fast acting
Remarks		
Remarks		Recommendation: Check the safe functioning of the unit after a short circuit.
Pack quantity		1 pcs.

# I12006



## Inductive area sensor

SIT-2070-ABOW-1

### Electrical connection

Cable: 2 m, PVC; 2 x 0.5 mm<sup>2</sup>

### Connection



Note miniature fuse to IEC60127-2 sheet 1  $\leq$  2 A fast acting

Core colours :

BN = brown

BU = blue