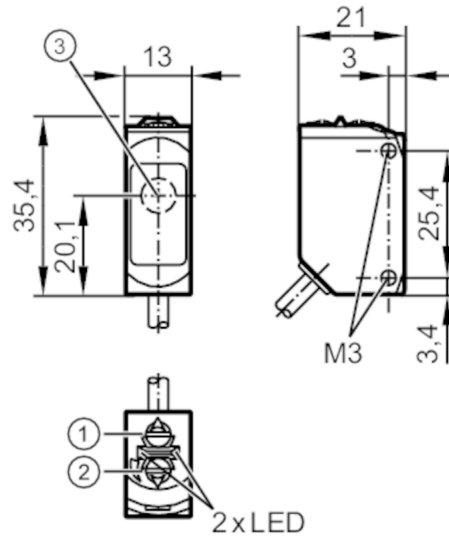


O6E200



Through-beam sensor receiver

O6E-FPKG



- 1 output function switch
- 2 potentiometer sensitivity
- 3 Light incidence



Application	
Function principle	Through-beam sensor
Electrical data	
Operating voltage [V]	10...30 DC
Current consumption [mA]	7; ((24 V))
Protection class	III
Reverse polarity protection	yes
Type of light	red light
Wave length [nm]	633
Outputs	
Electrical design	PNP
Output function	light-on/dark-on mode; (selectable)
Max. voltage drop switching output DC [V]	2.5
Permanent current rating of switching output DC [mA]	100
Switching frequency DC [Hz]	1000
Short-circuit protection	yes
Type of short-circuit protection	pulsed
Detection zone	
Transmitter / receiver	receiver
Range [m]	< 10
Range adjustable	yes

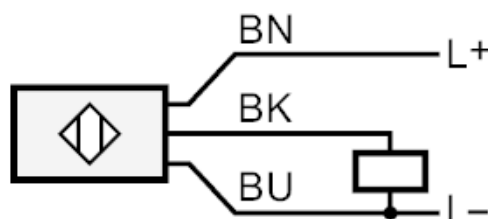
O6E200



Through-beam sensor receiver

O6E-FPKG

Operating conditions		
Ambient temperature [°C]	-25...60	
Protection	IP 65; IP 67	
Tests / approvals		
EMC	EN 60947-5-2	
MTTF [years]	956	
UL approval	UL Approval no.	E008
Mechanical data		
Weight [g]	60.6	
Housing	rectangular	
Dimensions [mm]	35.4 x 13 x 21	
Materials	housing: ABS; PPSU; Sealing: EPDM	
Lens material	PMMA	
Lens alignment	side lens	
Tightening torque [Nm]	0.5; (screws)	
Displays / operating elements		
Display	switching status	1 x LED, yellow
	operation	1 x LED, green
Remarks		
Remarks	operating voltage "supply class 2" according to cULus	
Pack quantity	1 pcs.	
Electrical connection		
Cable: 2 m, PUR; 3 x 0.25 mm ²		
Connection		



Core colours :

- BK = black
- BN = brown
- BU = blue

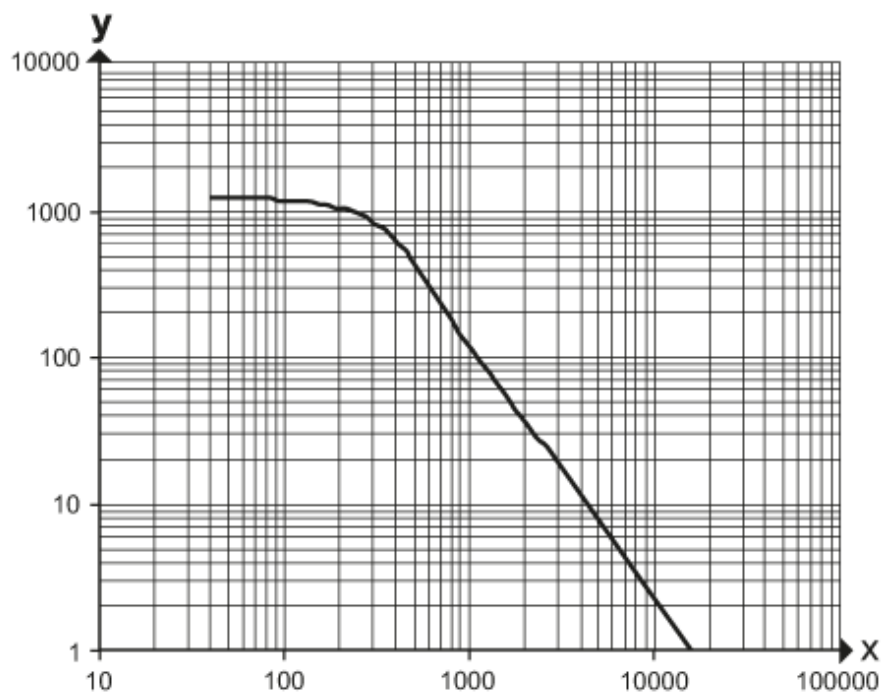


Through-beam sensor receiver

O6E-FPKG

Diagrams and graphs

excess gain graph



x: Abstand [mm]

y: Funktionsreservfaktor