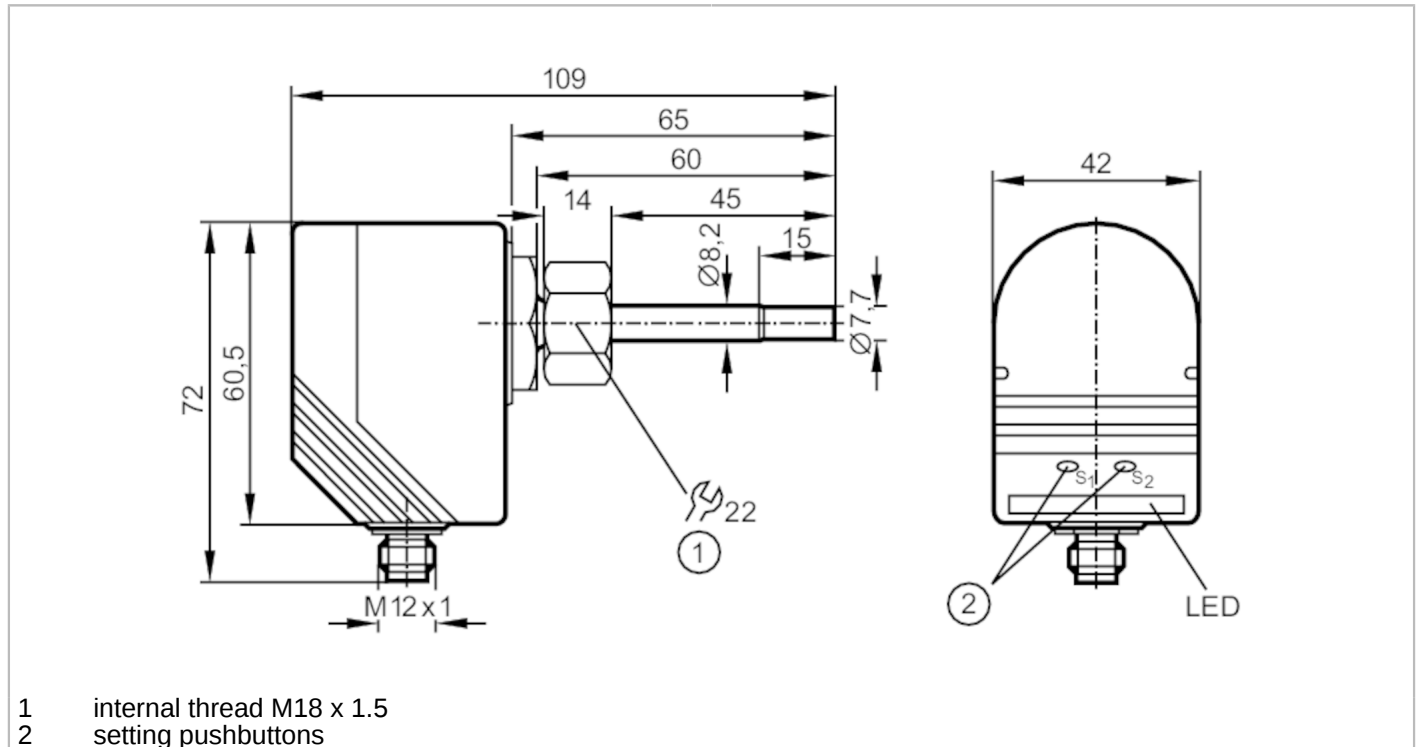


SI0508



Flow monitor

SID10ABBFPKG/US-100-IPF



Application	
Media	Liquids; Gases
Medium temperature [°C]	-25...80
Pressure rating [bar]	30
Liquids	
Medium temperature [°C]	-25...80
Gases	
Medium temperature [°C]	-25...80
Electrical data	
Operating voltage [V]	20...36 DC; (according to EN 50178 SELV/PELV)
Current consumption [mA]	< 80
Reverse polarity protection	yes
Power-on delay time [s]	10; (optically indicated)
Inputs / outputs	
Number of inputs and outputs	Number of digital outputs: 1

SI0508



Flow monitor

SID10ABBFPKG/US-100-IPF

Outputs		
Total number of outputs		1
Output signal		switching signal
Electrical design		PNP
Number of digital outputs		1
Output function		normally open / normally closed; (parameterisable)
Max. voltage drop switching output DC	[V]	2.5
Permanent current rating of switching output DC	[mA]	400
Short-circuit protection		yes
Type of short-circuit protection		pulsed
Overload protection		yes
Measuring/setting range		
Probe length L	[mm]	45
Liquids		
Setting range	[cm/s]	3...300
Greatest sensitivity	[cm/s]	3...60
Gases		
Setting range	[cm/s]	200...3000
Greatest sensitivity	[cm/s]	200...800
Response times		
Liquids		
Response time	[s]	1...10
Gases		
Response time	[s]	1...10
Software / programming		
Adjustment of the switch point		+/- pushbutton
Operating conditions		
Ambient temperature	[°C]	-25...80
Protection		IP 67
Tests / approvals		
Shock resistance	DIN IEC 68-2-27	50 g (11 ms)
Vibration resistance	DIN EN 60068-2-6	20 g (55...2000 Hz)
MTTF	[years]	258

SI0508



Flow monitor

SID10ABBFPKG/US-100-IPF

Mechanical data	
Weight [g]	278
Dimensions [mm]	M18 x 1.5
Thread designation	M18 x 1.5
Materials	PBT-GF20
Materials (wetted parts)	stainless steel (1.4404 / 316L); O-ring: FKM 80 Shore A
Process connection	M18 x 1,5 internal thread

Displays / operating elements		
Display	function	10 x LED, three-colour

Remarks	
Pack quantity	1 pcs.

Electrical connection

Connector: 1 x M12



Connection

