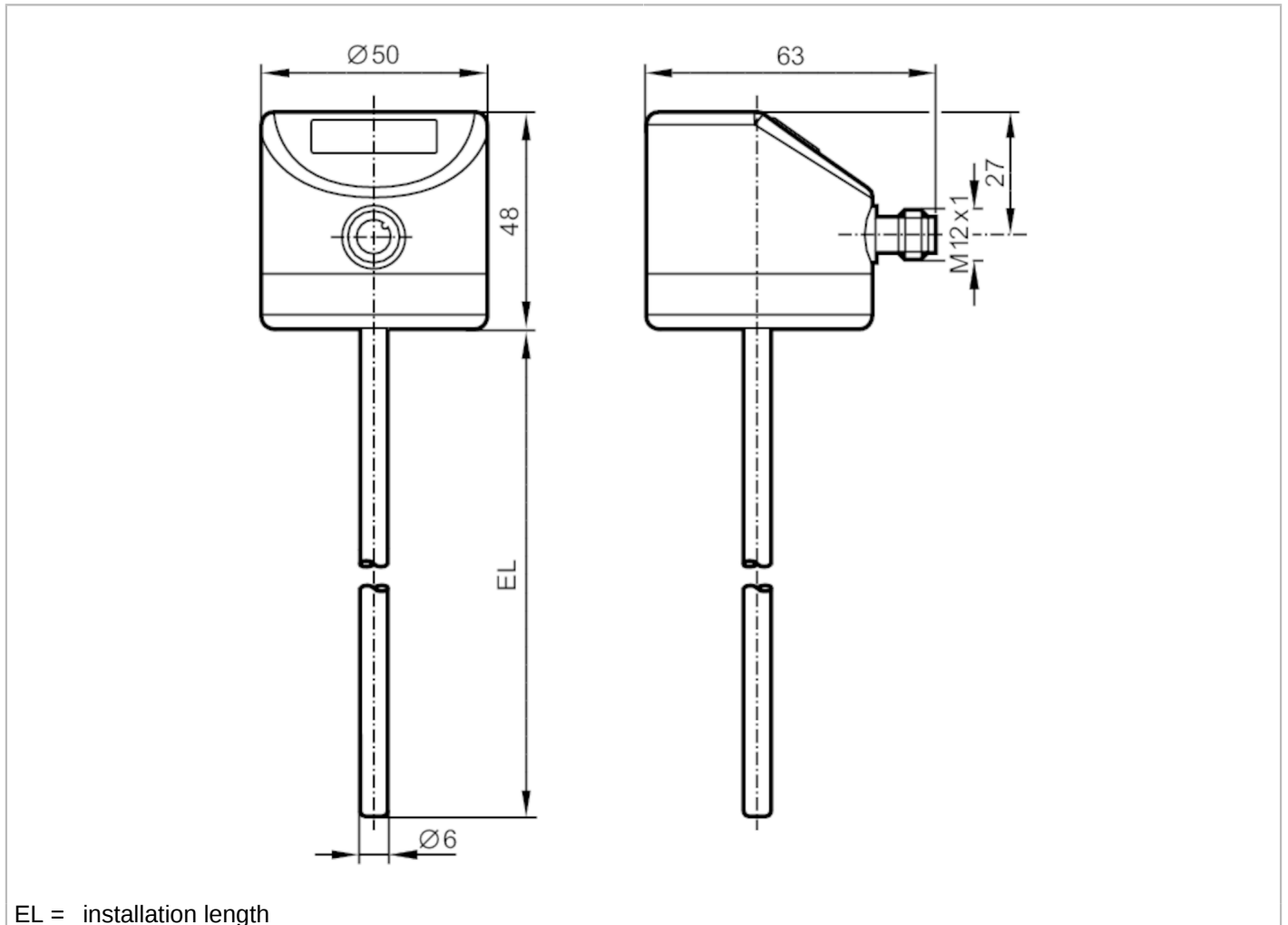


TD2213



Temperature transmitter with display

TD-050FFED06-A-ZVG/US



EL = installation length




 EC 1935/2004 EHEDG Certified
 


Application	
Measuring element	1 x Pt 1000; (to DIN EN 60751, class A)
Media	liquids and gases
Pressure rating [bar]	160
Vacuum resistance [mbar]	-1000
Electrical data	
Operating voltage [V]	18...32 DC; ("supply class 2" to cULus)
Current consumption [mA]	< 50
Protection class	III
Reverse polarity protection	yes
Power-on delay time [s]	2

TD2213



Temperature transmitter with display

TD-050FFED06-A-ZVG/US

Outputs		
Total number of outputs	1	
Output signal	analogue signal; IO-Link; (configurable)	
Number of analogue outputs	1	
Analogue current output [mA]	4...20	
Max. load [Ω]	300	
Short-circuit protection	yes	
Overload protection	yes	
Measuring/setting range		
Measuring range	-50...150 °C	-58...302 °F
Factory setting	0...300 °F	
Resolution		
Resolution of analogue output [K]	0.04	
Resolution of display [K]	0.28	
Accuracy / deviations		
Precision analogue output [K]	$\pm 0,3 + (\pm 0,1 \% MS)$	
Temperature coefficient [% of the span / 10 K]	0,1; (in case of deviation from the reference condition 25 °C)	
Response times		
Dynamic response T05 / T09 [s]	1 / 3	
Interfaces		
Communication interface	IO-Link	
Transmission type	COM2 (38,4 kBaud)	
IO-Link revision	1.1	
Operating conditions		
Ambient temperature [°C]	-25...80	
Storage temperature [°C]	-40...100	
Protection	IP 67; IP 68; IP 69K	
Tests / approvals		
EMC	DIN EN 61000-6-2	
	DIN EN 61000-6-3	
Shock resistance	DIN IEC 68-2-27	50 g (11 ms)
Vibration resistance	DIN IEC 68-2-6	10 g (10...2000 Hz)
MTTF [years]	407	
UL approval	UL Approval no.	K001

TD2213



Temperature transmitter with display

TD-050FFED06-A-ZVG/US

Mechanical data		
Weight	[g]	250
Dimensions	[mm]	Ø 6
Materials		stainless steel (1.4404 / 316L); PEI; FKM
Materials (wetted parts)		stainless steel (1.4404 / 316L) electropolished
Process connection		diameter Ø 6 mm
Surface characteristics Ra/Rz of the wetted parts		Ra: < 0.8
Probe diameter	[mm]	6
Installation length EL	[mm]	50

Displays / operating elements		
Display		7-segment LED display, 4-digit display unit / status, °C / °F

Remarks		
Remarks		MS = set measuring span The values for accuracy apply to flowing water.
Pack quantity		1 pcs.

Electrical connection

Connector: 1 x M12



Connection

