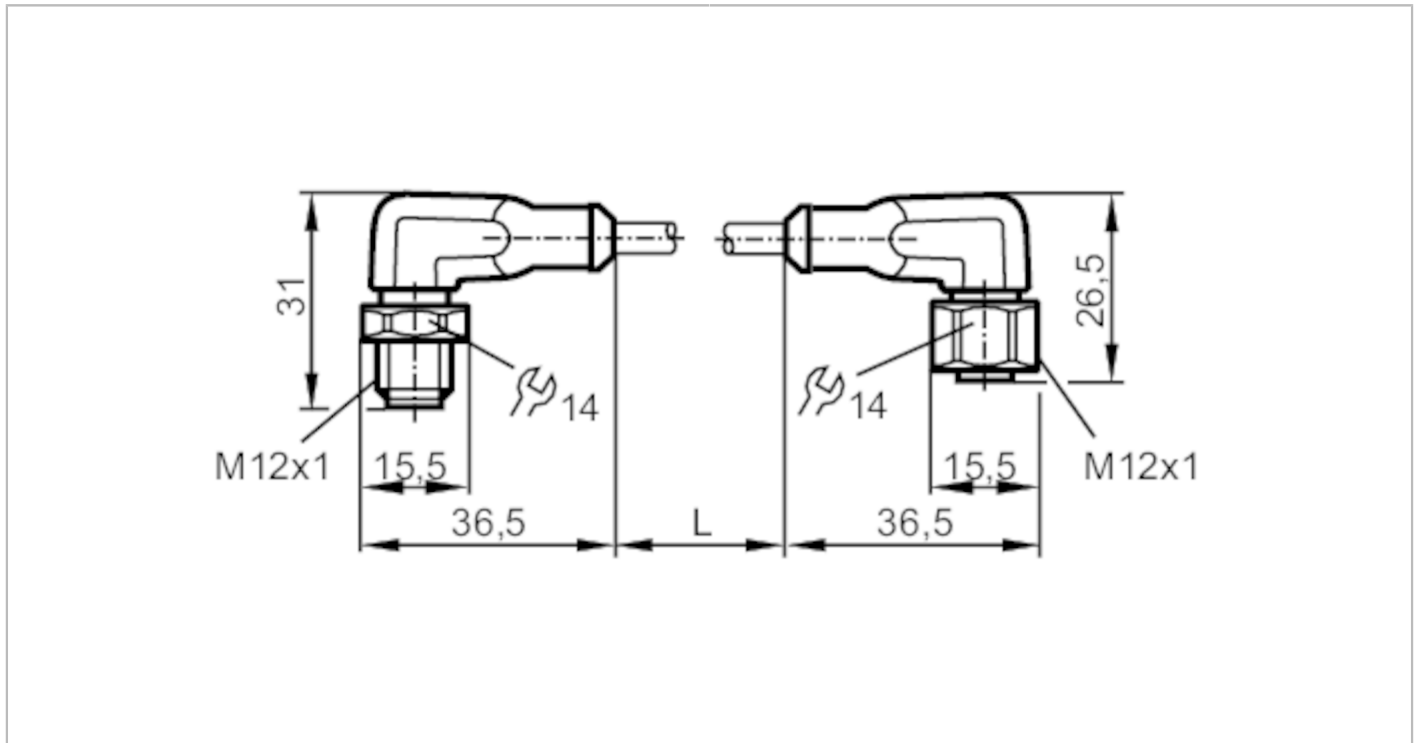


# EVC11A



## Connection cable

VDOAH040VAT0001H04STAH040VAT



Application	
Compatible with paint	yes
Electrical data	
Operating voltage [V]	< 60 AC/DC
Protection class	II
Max. current load total [A]	2
Operating conditions	
Ambient temperature [°C]	-20...60
Protection	IP 67; (outside hazardous areas: IP 68 / IP 69K)
Tests / approvals	
Approval	BVS 08 ATEX E 109 U; IECEx BVS 08.0041 U
ATEX marking	<div style="display: flex; align-items: center; gap: 10px;"> <span>⊕ II 3G Ex nA IIC Gc</span> </div> <div style="display: flex; align-items: center; gap: 10px;"> <span>⊕ II 2D Ex tb IIIC Db IP65/IP67</span> </div>
Mechanical data	
Weight [g]	79.2
Dimensions [mm]	31 x 15.5 x 36.5
Materials	housing: TPU orange; Sealing: FKM
Material nut	stainless steel (1.4404 / 316L) / stainless steel (1.4404 / 316L)
Remarks	
Pack quantity	1 pcs.

# EVC11A



## Connection cable

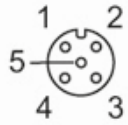
VDOAH040VAT0001H04STAH040VAT

### Electrical connection

Cable: 1 m, PUR, Halogen-free, black, Ø 4.9 mm; 4 x 0.34 mm<sup>2</sup> (42 x Ø 0.1 mm )

### Electrical connection - socket

Connector: 1 x M12, angled; Locking: stainless steel (1.4404 / 316L); Contacts: gold-plated; Tightening torque: 1.2...1.5 Nm



### Electrical connection - plug

Connector: 1 x M12, angled; Locking: stainless steel (1.4404 / 316L); Contacts: gold-plated; Tightening torque: 1.2...1.5 Nm



### Connection

