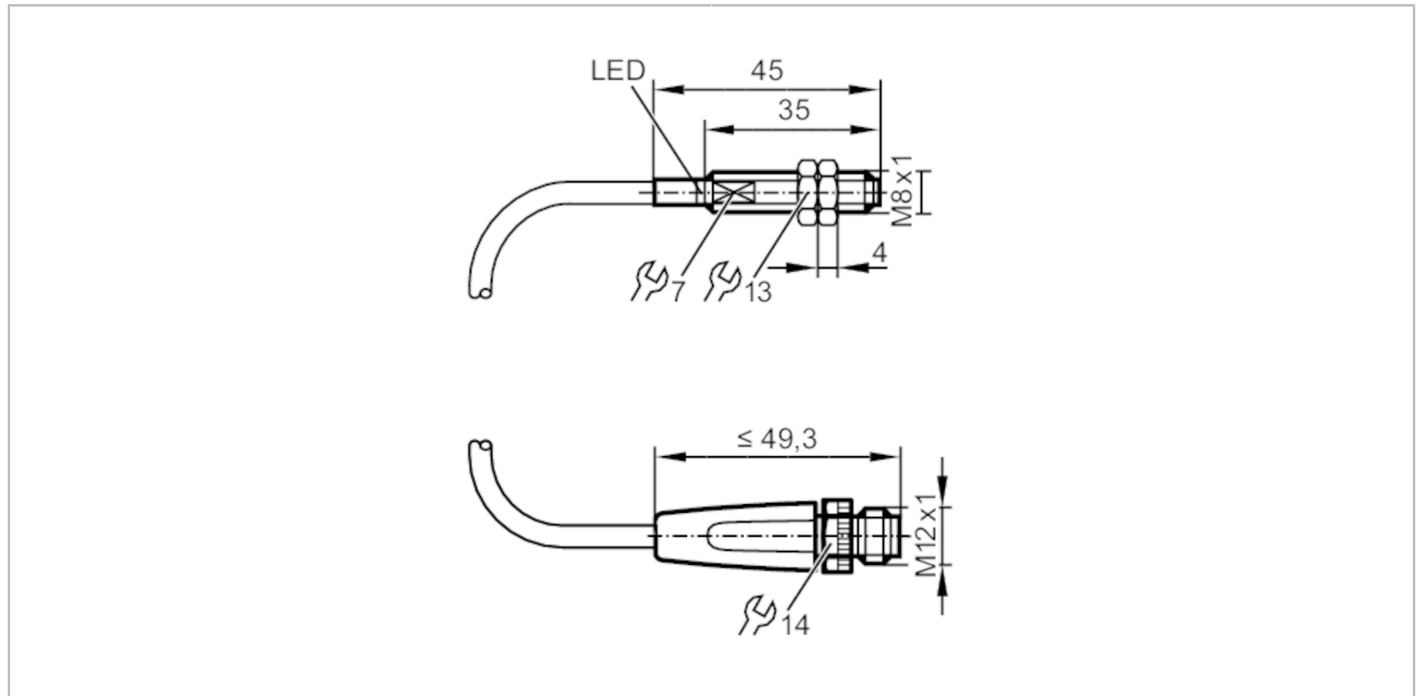


# IER203



## Inductive full-metal sensor

IEB2002BARKG/AM/SC/0,3M/US/2LE




| Electrical data                                 |           |   |
|---|-----------|---|
| Operating voltage                               | [V]       | 10...36 DC  |
| Protection class                                |           | III   |
| Reverse polarity protection                     |           | yes   |
| Outputs   |           |   |
| Electrical design                               |           | PNP/NPN   |
| Output function                                 |           | normally open   |
| Max. voltage drop switching output DC           | [V]       | 2.5   |
| Minimum load current                            | [mA]      | 2   |
| Max. leakage current                            | [mA]      | 0.75  |
| Permanent current rating of switching output DC | [mA]      | 100   |
| Switching frequency DC                          | [Hz]      | 150   |
| Short-circuit protection                        |           | yes   |
| Type of short-circuit protection                |           | pulsed  |
| Overload protection                             |           | yes   |
| Detection zone                                  |           |   |
| Sensing range                                   | [mm]      | 2   |
| Operating distance                              | [mm]      | 0...1.6   |
| Increased sensing range                         |           | yes   |
| Accuracy / deviations                           |           |   |
| Correction factor                               |           | steel: 1 / stainless steel: 0.6 / brass: 0.4 / aluminium: 0.3 / copper: 0.2 |
| Hysteresis                                      | [% of Sr] | 1...20  |

# IER203



## Inductive full-metal sensor

IEB2002BARKG/AM/SC/0,3M/US/2LE

| Operating conditions  |                           |  |
|---|---------------------------|--|
| Ambient temperature   | [°C]                      | -25...70   |
| Protection  |                           | IP 67  |
| Tests / approvals   |                           |  |
| EMC   | EN 61000-4-2 ESD          | 4 kV CD / 8 kV AD  |
|   | EN 61000-4-3 HF radiated  | 10 V/m   |
|   | EN 61000-4-4 Burst        | 2 kV   |
|   | EN 61000-4-6 HF conducted | 10 V   |
|   | EN 55011                  | class B  |
| MTTF  | [years]                   | 1384   |
| UL approval   | Ta                        | 0...40 °C  |
|   | Enclosure type            | Type 1   |
|   | voltage supply            | Limited Voltage/Current  |
|   | File number UL            | E174191  |
| Mechanical data   |                           |  |
| Weight  | [g]                       | 35.4   |
| Housing   |                           | threaded type  |
| Mounting  |                           | flush mountable  |
| Dimensions  | [mm]                      | M8 x 1 / L = 45  |
| Thread designation  |                           | M8 x 1   |
| Materials   |                           | housing: stainless steel (1.4404 / 316L) anti-spatter; sensing face: stainless steel (1.4404 / 316L) anti-spatter; lock nuts: stainless steel (1.4404 / 316L) anti-spatter |
| Full-metal housing  |                           | yes  |
| Displays / operating elements   |                           |  |
| Display   | switching status          | 1 x LED, green   |
|   | setting aid               | 1 x LED, red   |
| Optical setting aid   |                           | yes  |
| Electrical connection   |                           |  |
| Connection  |                           | plug   |
| Accessories   |                           |  |
| Accessories (supplied)  |                           | lock nuts: 2   |
| Remarks   |                           |  |
| Pack quantity   |                           | 1 pcs.   |
| Electrical connection - plug  |                           |  |
| Cable: 0.3 m, PUR; 2 x 0.34 mm <sup>2</sup>   |                           |  |
| Connector: 1 x M12; Contacts: gold-plated   |                           |  |
|  |                           |  |

# IER203



## Inductive full-metal sensor

IEB2002BARKG/AM/SC/0,3M/US/2LE

### Connection

