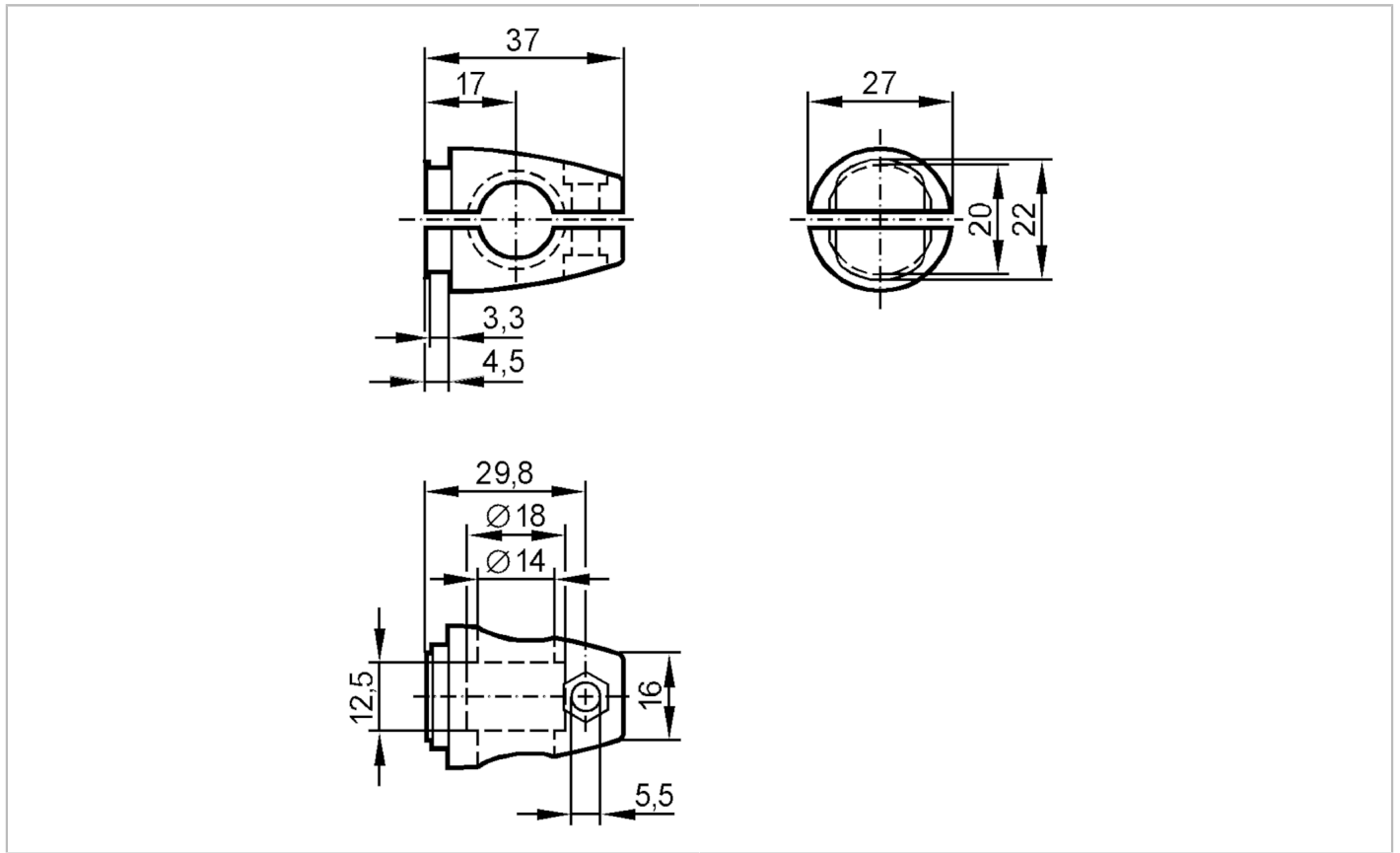


E20796



Mounting set for position sensors

CLAMP M12 FREESTANDING



Mechanical data

Weight	[g]	241.4
Type of mounting		free-standing; (M12)
Dimensions	[mm]	M12
Thread designation		M12
Materials		Clamp: diecast zinc

Accessories

Accessories (supplied)		screw: 1 x M12 x 120
------------------------	--	----------------------

Remarks

Pack quantity		1 pcs.
---------------	--	--------