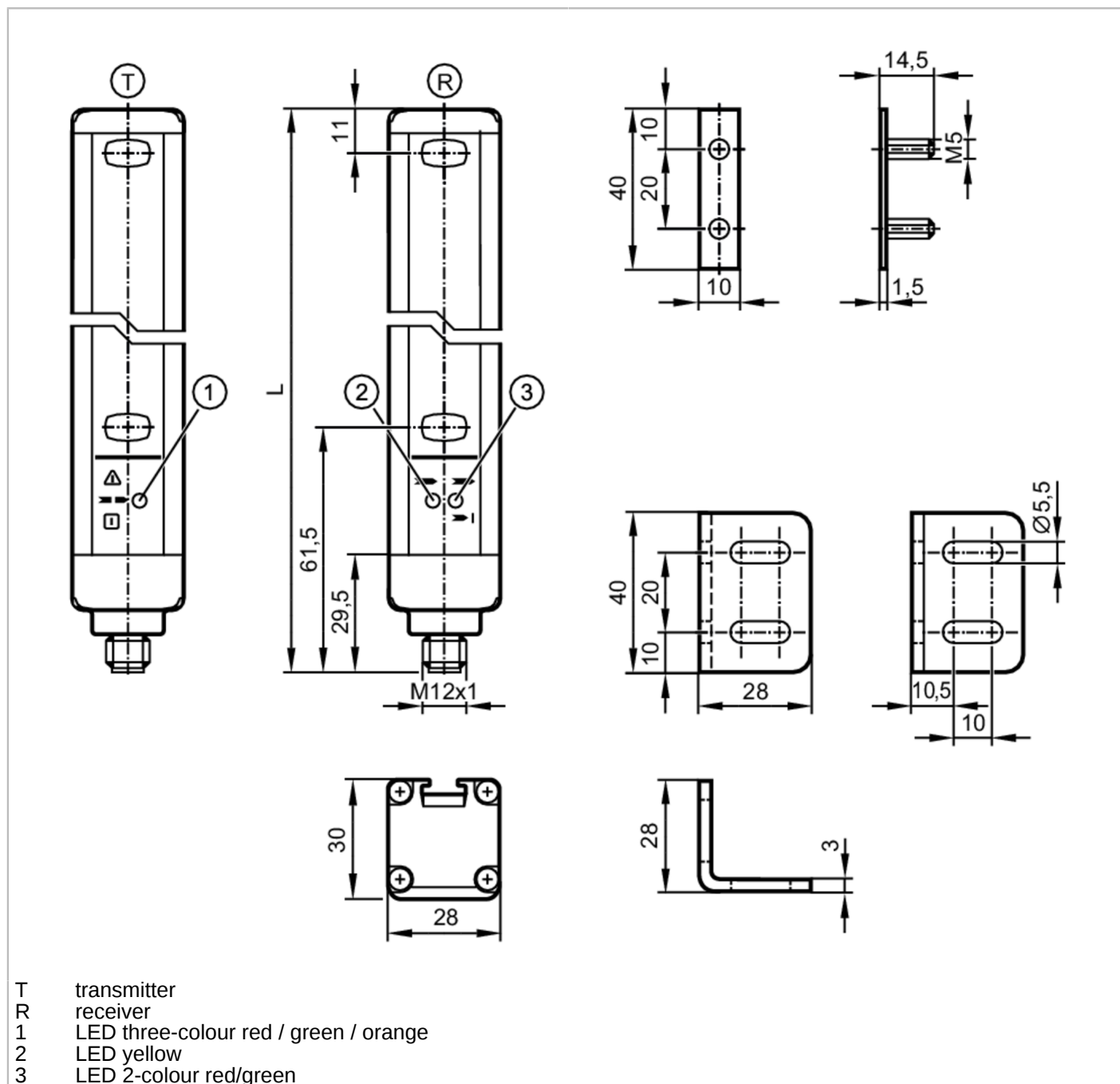


# OY087S



## Safety light curtain

OYA1060-50-4-12-P-1



### Application

Protective function

access prevention bodies or parts of bodies



## Safety light curtain

OYA1060-50-4-12-P-1

Electrical data		
Operating voltage tolerance	[%]	20
Operating voltage	[V]	24 DC
Protection class		III
Reverse polarity protection		yes
Power-on delay time	[s]	< 2
Type of light		infrared light
Wave length	[nm]	950
receiver		
Current consumption	[mA]	83
transmitter		
Current consumption	[mA]	42
Outputs		
Electrical design		PNP
Number of OSSD outputs		2
Max. current load per OSSD output	[mA]	400; (24 V)
Short-circuit protection		yes
Detection zone		
Protected area height	[mm]	1060
Resolution (detection capacity d)	[mm]	50
Protection area width (low light intensity)	[m]	0...4
Protection area width (high light intensity)	[m]	3...12
Response times		
Response time	[ms]	8.5
Operating conditions		
Applications		class C to EN 60654-1 weatherproof application
Ambient temperature	[°C]	-10...55
Storage temperature	[°C]	-20...70
Max. relative air humidity	[%]	95
Protection		IP 65; IP 67
Tests / approvals		
EMC		IEC 61496-1
Shock resistance		IEC 61496-1
Vibration resistance		IEC 61496-1
Safety classification		
ISO 13849-1		category: 4, PL: e
IEC 61508		SIL 3
IEC 62061		SILCL 3
Mission time TM	[h]	175200
Safety-related reliability PFHD	[1/h]	1.0E-08

# OY087S



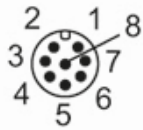
## Safety light curtain

OYA1060-50-4-12-P-1

Mechanical data		
Weight	[g]	3710
Dimensions	[mm]	1113 x 28 x 30
Materials		housing: aluminium; front lens: PC
Length L	[mm]	1113
Displays / operating elements		
Display	transmitter	1 LED
	receiver	2 LED
Accessories		
Accessories (supplied)	mounting bracket: 4	
	slot nuts: 4	
	Nuts	
Remarks		
Notes	For 8-pole sockets the core colours are not standardised.; Please note the wiring of the sensor and the sockets (see data sheet).	
Pack quantity	1 pcs.	

### Electrical connection - receiver

Connector: 1 x M12; Maximum cable length: 100 m; for wire cross-section 0.34 mm<sup>2</sup>



# OY087S



## Safety light curtain

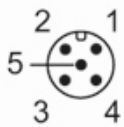
OYA1060-50-4-12-P-1

### Connection



### Electrical connection - transmitter

Connector: 1 x M12



# OY087S



## Safety light curtain

OYA1060-50-4-12-P-1

### Connection

