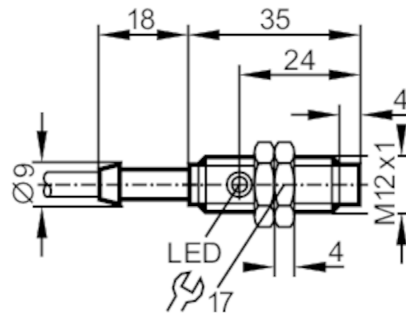


IF5250



Inductive sensor

IFB3004-APKG



Electrical data

Operating voltage	[V]	10...36 DC
Current consumption	[mA]	15; (24 V)
Protection class		III
Reverse polarity protection		yes

Outputs

Electrical design		PNP
Output function		normally closed
Max. voltage drop switching output DC	[V]	2.5
Permanent current rating of switching output DC	[mA]	150
Switching frequency DC	[Hz]	1500
Short-circuit protection		yes
Type of short-circuit protection		pulsed
Overload protection		yes

Detection zone

Sensing range	[mm]	4
Real sensing range Sr	[mm]	4 ± 10 %
Operating distance	[mm]	0...3.25

Accuracy / deviations

Correction factor		steel: 1 / stainless steel: 0.7 / brass: 0.4 / aluminium: 0.3 / copper: 0.2
Hysteresis	[% of Sr]	3...15
Switch point drift	[% of Sr]	-10...10

Operating conditions

Ambient temperature	[°C]	-25...80
Protection		IP 67

Tests / approvals

EMC		EN 60947-5-2	
		EN 55011	class B
MTTF	[years]	2531	

IF5250



Inductive sensor

IFB3004-APKG

Mechanical data	
Weight [g]	91.8
Housing	threaded type
Mounting	non-flush mountable
Dimensions [mm]	M12 x 1 / L = 35
Thread designation	M12 x 1
Materials	brass white bronze coated; sensing face: PC

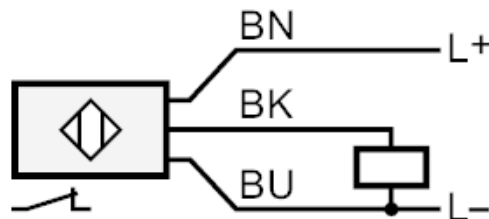
Displays / operating elements		
Display	switching status	1 x LED, yellow

Accessories	
Accessories (supplied)	lock nuts: 2

Remarks	
Pack quantity	1 pcs.

Electrical connection	
Cable: 2 m, PVC; 3 x 0.34 mm ²	

Connection



Core colours :

BN =	brown
BU =	blue
BK =	black