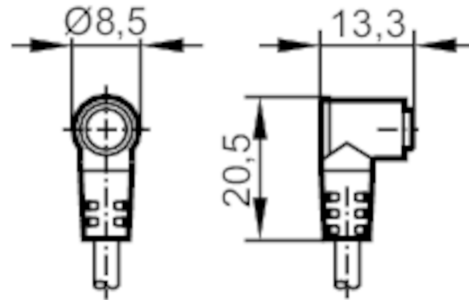


E10217



Connecting cable with socket

ADOAG030--S0002E03



Electrical data

Operating voltage [V] < 60 AC/DC

Operating conditions

Ambient temperature [°C] -25...85

Protection IP 65

Mechanical data

Weight [g] 35

Dimensions [mm] 13.3 x 8.5 x 20.5

Materials PUR

Remarks

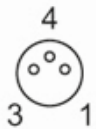
Pack quantity 1 pcs.

Electrical connection

Cable: 2 m, PVC, black, Ø 3 mm; 3 x 0.14 mm² (18 x Ø 0.1 mm)

Electrical connection - socket

Connector: 1 x M8, angled; Moulded body: PUR



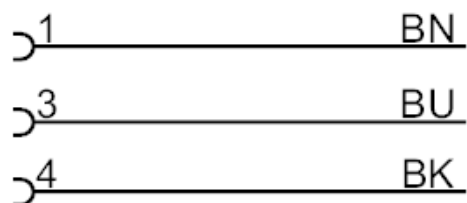
E10217



Connecting cable with socket

ADOAG030--S0002E03

Connection



Core colours :

BN = brown
BK = black
BU = blue