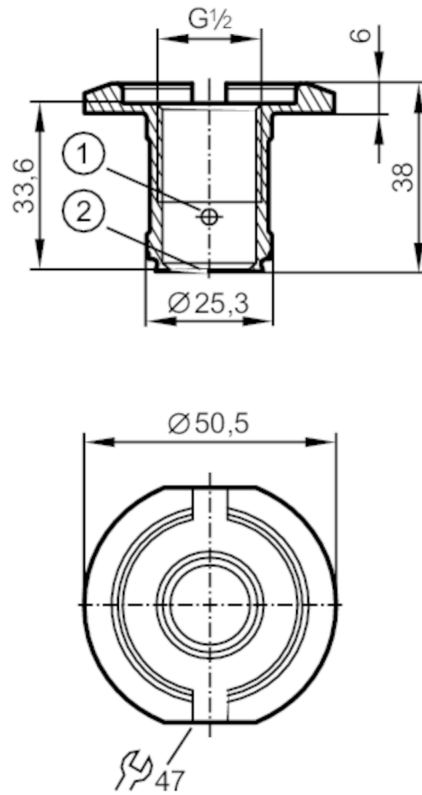


# E33405



## Mounting adapter for process sensors

ADAPT G1/2 - 3A/DN38



- 1 Leakage port
- 2 sealing edge



EC 1935/2004 FDA

Application	
Pressure rating	[bar] 25
Mechanical data	
Weight	[g] 140.6
Materials	stainless steel (1.4404 / 316L)
Sensor connection	G 1/2 external thread Aseptoflex Vario
Process connection	Clamp DN38 (1,5")
Surface characteristics Ra/Rz of the wetted parts	< 0.8 / 8
Sealing	metal to PEEK
Hygienic equipment class to DIN 11866	H3
Accessories	
Accessories (supplied)	O-rings: 1, EPDM
	O-rings: 1, FKM
Remarks	
Pack quantity	1 pcs.