

PE2591



Pressure sensor with display

PE-250-SEG14-MFRKG/US/ E



- 1 alphanumeric display 4-digit red/green
- 2 LEDs Display unit / switching status
- 3 programming button
- 4 upper part of the housing can be rotated 345°
- 5 Sealing





 KTW/W270 Reg31

Application

Measuring element	ceramic-capacitive pressure measuring cell		
Application	for industrial applications		
Media	group 2 fluids according to the Pressure Equipment Directive (PED); group 1 fluids on request		
Medium temperature [°C]	-25...80		
Pressure rating	500 bar	7250 psi	50 MPa
Min. bursting pressure	1000 bar	14500 psi	100 MPa
Vacuum resistance [mbar]	-1000		
Type of pressure	relative pressure		

Electrical data

Operating voltage [V]	18...30 DC; (according to EN 50178 SELV/PELV)		
Current consumption [mA]	< 35		
Min. insulation resistance [MΩ]	100; (500 V DC)		
Protection class	III		
Reverse polarity protection	yes		
Power-on delay time [s]	0.3		
Integrated watchdog	yes		

PE2591



Pressure sensor with display

PE-250-SEG14-MFRKG/US/ /E

Outputs			
Total number of outputs	2		
Output signal	switching signal; analogue signal; IO-Link; (configurable)		
Electrical design	PNP/NPN		
Number of digital outputs	2		
Output function	normally open / normally closed; (parameterisable)		
Max. voltage drop switching output DC [V]	2		
Permanent current rating of switching output DC [mA]	250		
Switching frequency DC [Hz]	< 500		
Number of analogue outputs	1		
Analogue current output [mA]	4...20; (scalable 1:5)		
Max. load [Ω]	500		
Analogue voltage output [V]	0...10; (scalable 1:5)		
Min. load resistance [Ω]	2000		
Short-circuit protection	yes		
Type of short-circuit protection	pulsed		
Overload protection	yes		
Measuring/setting range			
Measuring range	0...250 bar	0...3625 psi	0...25 MPa
Set point SP	1.5...250 bar	25...3625 psi	0.15...25 MPa
Reset point rP	0.5...249 bar	10...3610 psi	0.05...24.9 MPa
Analogue start point	0...200 bar	0...2900 psi	0...20 MPa
Analogue end point	50...250 bar	725...3625 psi	5...25 MPa
In steps of	0.5 bar	5 psi	0.05 MPa
Accuracy / deviations			
Switch point accuracy [% of the span]	< ± 0,4; (Turn down 1:1)		
Repeatability [% of the span]	< ± 0,1; (with temperature fluctuations < 10 K; Turn down 1:1)		
Characteristics deviation [% of the span]	< ± 0,25 (BFSL) / < ± 0,5 (LS); (Turn down 1:1; BFSL = Best Fit Straight Line; LS = limit value setting)		
Hysteresis deviation [% of the span]	< ± 0,1; (Turn down 1:1)		
Long-term stability [% of the span]	< ± 0,05; (Turn down 1:1; per 6 months)		
Temperature coefficient zero point [% of the span / 10 K]	0,2; (-25...80 °C)		
Temperature coefficient span [% of the span / 10 K]	0,2; (-25...80 °C)		

PE2591



Pressure sensor with display

PE-250-SEG14-MFRKG/US/ /E

Response times		
Response time [ms]	< 1.5	
Delay time programmable dS, dr [s]	0...50	
Damping for the switching output dAP [s]	0...4	
Damping for the analogue output dAA [s]	0...4	
Max. response time analogue output [ms]	3	
Software / programming		
Parameter setting options	hysteresis / window; normally open / normally closed; switch-on/ switch-off delay; Damping; Display unit; current/voltage output	
Interfaces		
Communication interface	IO-Link	
Transmission type	COM2	
IO-Link revision	1.1	
SDCI standard	IEC 61131-9	
IO-Link device ID	460 d / 00 01 cc h	
Profiles	Smart Sensor: Process Data Variable; Device Identification, Device Diagnosis	
SIO mode	yes	
Required master port type	A	
Process data analogue	1	
Process data binary	2	
Min. process cycle time [ms]	2.3	
Operating conditions		
Ambient temperature [°C]	-25...80	
Storage temperature [°C]	-40...100	
Protection	IP 65; IP 67	
Tests / approvals		
EMC	DIN EN 61000-6-2	
	DIN EN 61000-6-3	
Shock resistance	DIN EN 60068-2-27	50 g (11 ms)
Vibration resistance	DIN EN 60068-2-6	20 g (10...2000 Hz)
MTTF [years]		161
Pressure Equipment Directive	Sound Engineering Practice; can be used for group 2 fluids; group 1 fluids on request	
Mechanical data		
Weight [g]		302.4
Materials	stainless steel (1.4404 / 316L); PBT+PC-GF30; PBT-GF20; PC; EPDM	
Materials (wetted parts)	stainless steel (1.4404 / 316L); EPDM	
Min. pressure cycles		100 million
Tightening torque [Nm]	25...35; (recommended tightening torque; depends on lubrication, seal and pressure rating)	
Process connection	threaded connection G 1/4 external thread internal thread:M5; DIN EN ISO 1179-2	
Process connection sealing		EPDM
Restrictor element integrated		no (can be retrofitted)

PE2591



Pressure sensor with display

PE-250-SEG14-MFRKG/US/ E

Displays / operating elements		
Display	Display unit	3 x LED, green (bar, psi, MPa)
	switching status	2 x LED, yellow
	measured values	alphanumeric display, red/green 4-digit

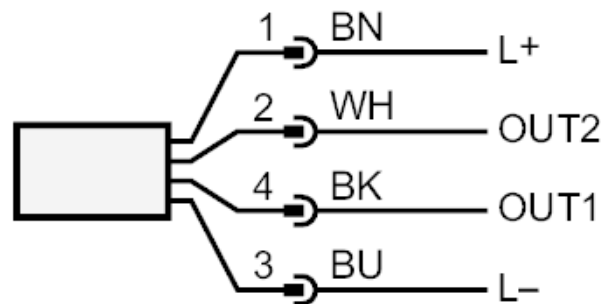
Remarks	
Pack quantity	1 pcs.

Electrical connection

Connector: 1 x M12; Contacts: gold-plated



Connection



- OUT1 switching output or IO-Link
OUT2 switching output or analogue output
 colours to DIN EN 60947-5-2
 Core colours :
- BK = black
BN = brown
BU = blue
WH = white