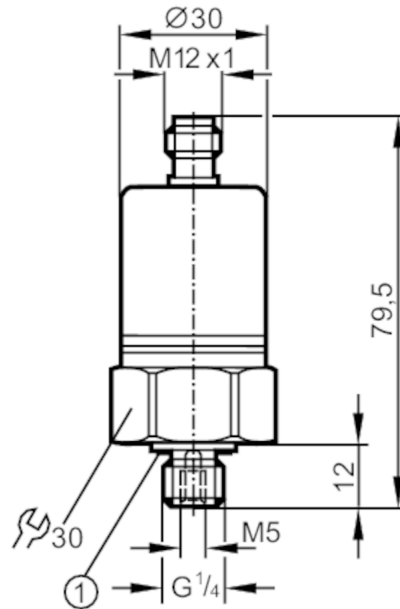


PA3528



Pressure transmitter with ceramic measuring cell

PA-,25BRBG14-A-ZVG/US/ IV



1 Sealing



Application	
Media	liquids and gases
Medium temperature [°C]	-25...90; (on request: -40...90 °C)
Pressure rating [mbar]	6000
Min. bursting pressure [mbar]	30000
Type of pressure	relative pressure
Electrical data	
Operating voltage [V]	9.6...32 DC
Min. insulation resistance [MΩ]	100; (500 V DC)
Protection class	III
Reverse polarity protection	yes
Inputs / outputs	
Number of inputs and outputs	Number of analogue outputs: 1
Outputs	
Total number of outputs	1
Output signal	analogue signal
Number of analogue outputs	1
Analogue current output [mA]	4...20
Max. load [Ω]	720; (U _b = 24 V; (U _b - 9,6 V) / 20 mA)
Overload protection	yes
Measuring/setting range	
Measuring range [mbar]	0...250

PA3528



Pressure transmitter with ceramic measuring cell

PA-,25BRBG14-A-ZVG/US/ IV

Accuracy / deviations		
Repeatability	[% of the span]	< 0,1; (with temperature fluctuations < 10 K)
Characteristics deviation	[% of the span]	< ± 0,25 (BFSL) / < ± 0,5 (LS); (BFSL = Best Fit Straight Line; LS = limit value setting)
Long-term stability	[% of the span]	< ± 0,05; (per 6 months)
Temperature coefficient zero point	[% of the span / 10 K]	< ± 0,2; (0...80 °C)
Temperature coefficient span	[% of the span / 10 K]	< ± 0,3; (0...80 °C)

Response times		
Step response time analogue output	[ms]	3

Operating conditions		
Ambient temperature	[°C]	-25...80
Storage temperature	[°C]	-40...100
Protection		IP 65

Tests / approvals		
EMC	EN 61000-4-2 ESD	4 kV CD / 8 kV AD
	EN 61000-4-3 HF radiated	30 V/m
	EN 61000-4-4 Burst	2 kV
	EN 61000-4-6 HF conducted	10 V
	radiation of interference	according to the automotive directive 2004/104/EC
	CISPR 25	
	noise immunity	according to the automotive directive 2004/104/EC
	ISO 11452-2 HF radiated	100 V/m
	ISO 7637-2 pulse	severity level 4
	Shock resistance	DIN EN 60068-2-27
DIN EN 61373		category 3
Vibration resistance	DIN EN 60068-2-6	20 g (10...2000 Hz)
	DIN EN 61373	category 2
MTTF	[years]	514
Railway applications		DIN EN 50155 / IEC 60571 Klasse T3, C1, S1

Mechanical data		
Weight	[g]	218.4
Materials		stainless steel (1.4404 / 316L); FKM; PA; EPDM/X
Materials (wetted parts)		stainless steel (1.4305 / 303); ceramics; Sealing: FKM DIN 3869-14
Min. pressure cycles		100 million
Process connection		threaded connection G 1/4 external thread internal threadM5

Remarks		
Pack quantity		1 pcs.

Electrical connection		
Connector: 1 x M12; Contacts: gold-plated		

PA3528



Pressure transmitter with ceramic measuring cell

PA-,25BRBG14-A-ZVG/US/ IV



Connection

