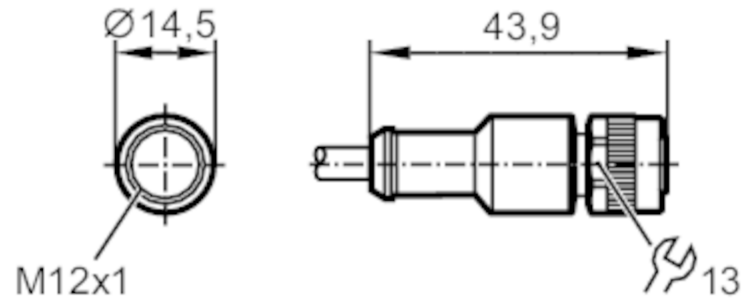


# E12503



## Connecting cable with socket

ADOGH120ZDS0010H12



Application	
Free from silicone	yes
Electrical data	
Operating voltage [V]	< 30 AC/DC
Protection class	II
Max. current load total [A]	1.5
Operating conditions	
Ambient temperature [°C]	-25...90
Protection	IP 67
Mechanical data	
Weight [g]	618.6
Materials	PUR
Material nut	diecast zinc
Remarks	
Pack quantity	1 pcs.
Electrical connection	
Cable: 10 m, PUR, Halogen-free, black, Ø 6.6 mm; 12 x 0.25 mm <sup>2</sup>	
Electrical connection - socket	
Connector: 1 x M12, straight; Moulded body: PUR; Locking: diecast zinc; Contacts: gold-plated; Tightening torque: 0.7...0.9 Nm	

# E12503



## Connecting cable with socket

ADOGH120ZDS0010H12



### Connection

1	BN
2	BU
3	WH
4	GN
5	PK
6	YE
7	BK
8	GY
9	RD
10	VT
11	GY/PK
12	RD/BU

#### Core colours :

BK =	black
BN =	brown
BU =	blue
GN =	green
GY =	grey
GY/PK =	grey/pink
PK =	pink
RD =	red
VT =	lilac
WH =	white
YE =	yellow
RD/BU =	red/blue